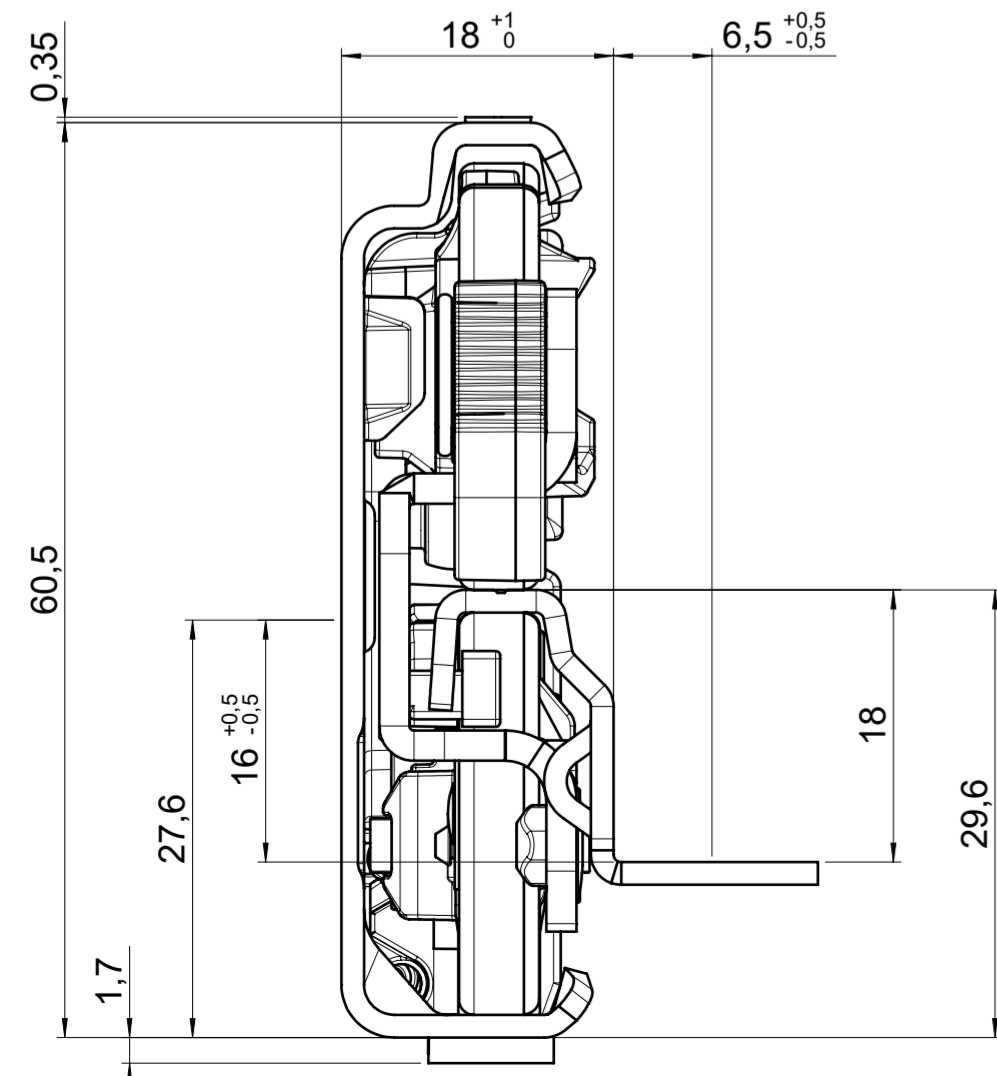
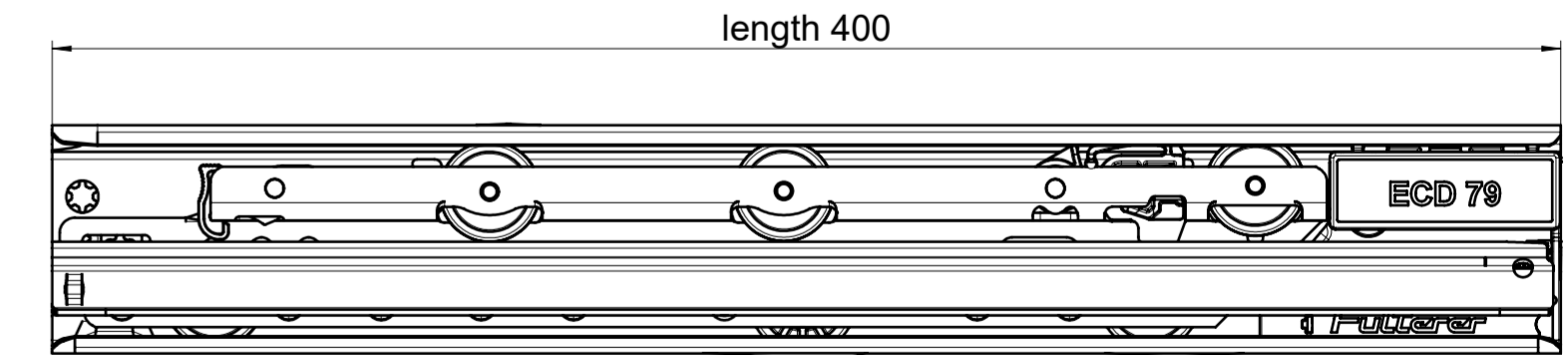
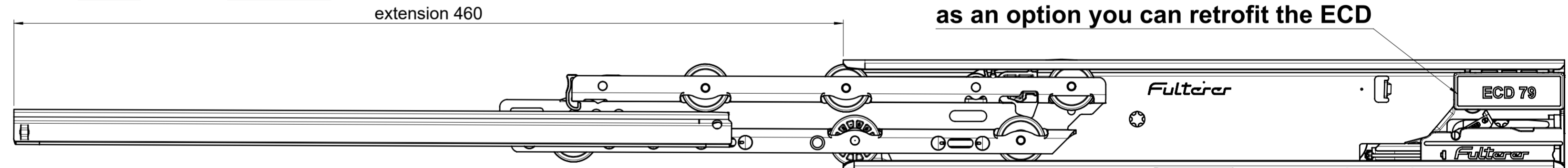
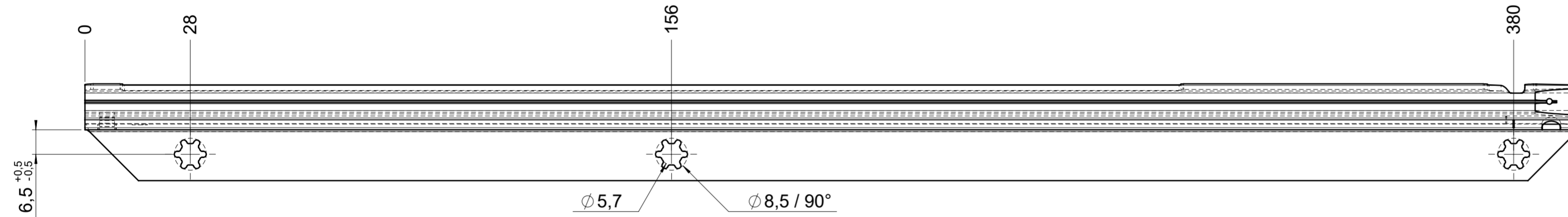
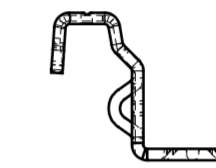
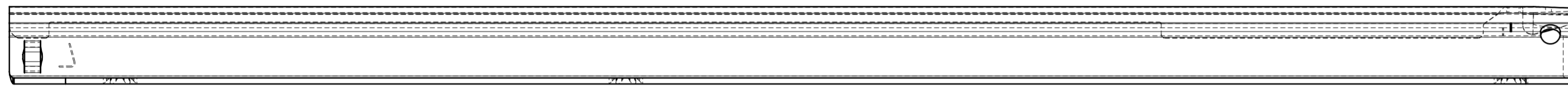
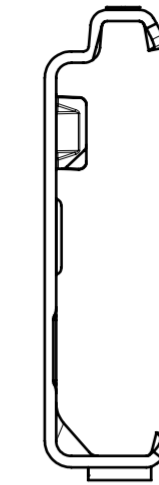
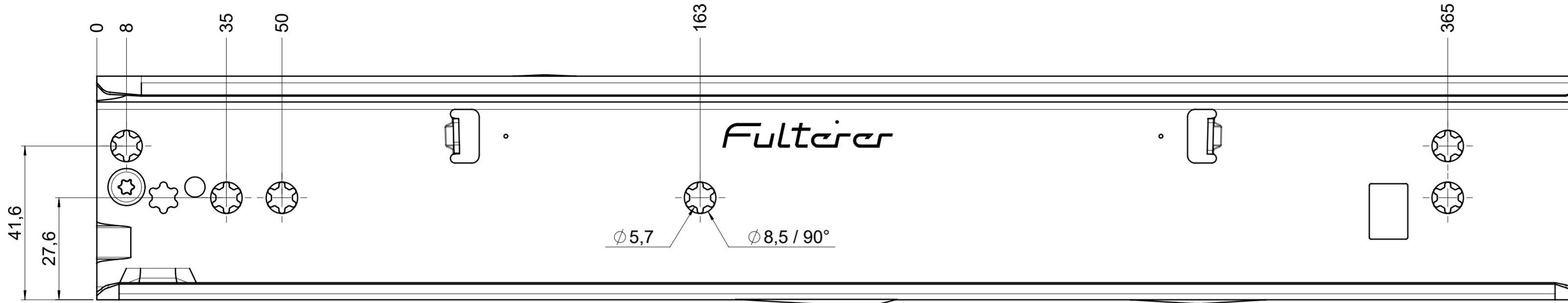


drawn on the left (mirrored on the right)



<b>final approval</b>	customer name:
	signed by:
	date:

all dimensions in mm			
missing dimensions see 3D $\Rightarrow \ominus$ = theor. intersection	scale: <b>1:1</b>	surface/color:	material: <b>CS</b> (technical requirements Fulterer)
<b>prototype approval</b>		drawn: 2024-01-15 RK	date: 2024-01-15
		proven: 2024-01-15 RK	name: RK
<b>Fulterer</b> Fulterer AG & Co KG A-6890 Lustenau		description: <b>FR 796-400 CS EN (mm)</b> progressive-action over-extension drawerslide / bottom mount	
		drawing number: <b>CS# 796.400-GA.L500</b>	
Fulterer AG CH-9430 St. Margrethen		replaces the edition:	