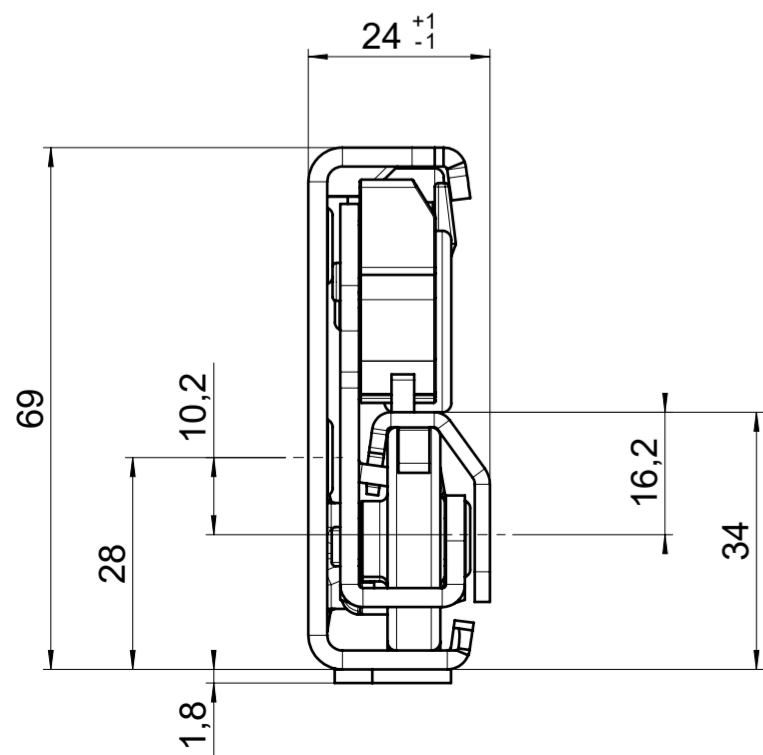
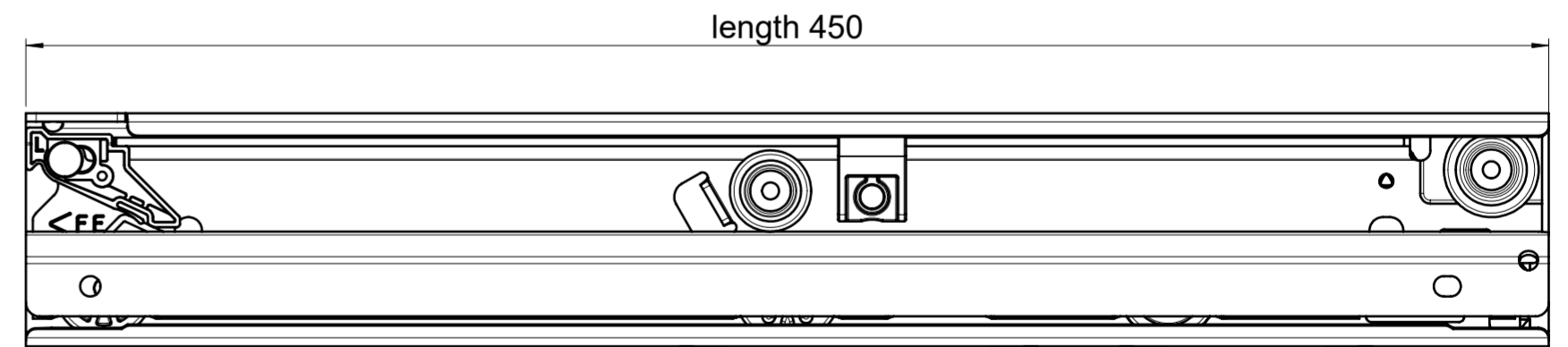
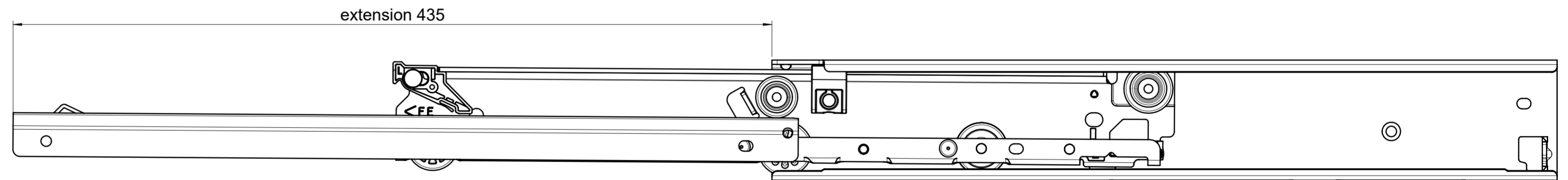
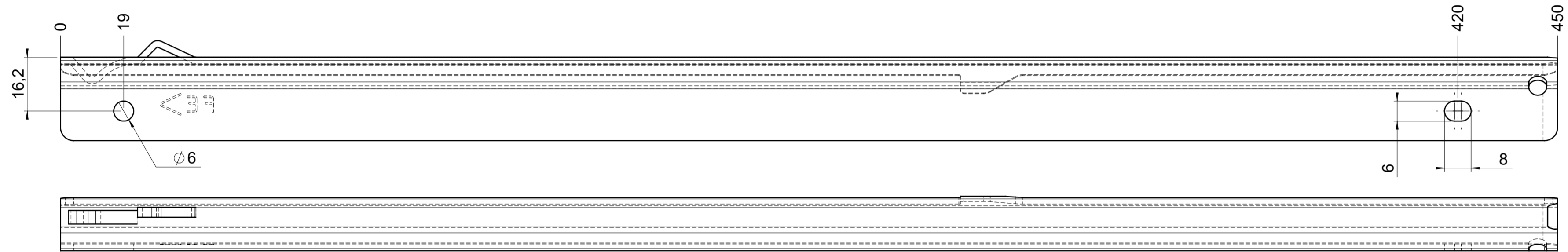
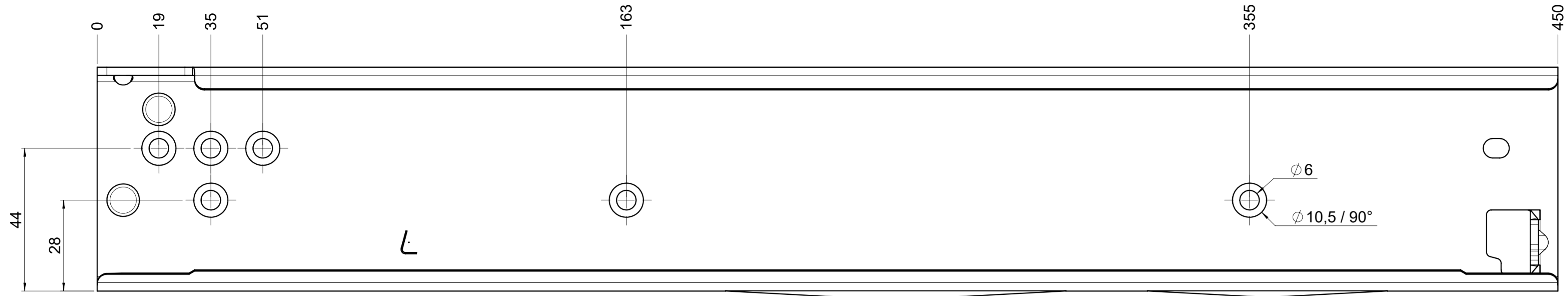


drawn left (right mirrorimage)



final approval

customer name:

signed by:

date:

all dimensions in mm

DIN ISO 128-30
missing dimensions see 3D
 = theor. intersection

This drawing remains our property and may not be multiplied neither be disclosed to third parties (§§1,3 and 5 from the copyright Act (UrhG)) covered according to DIN ISO 16016				scale:	surface:	material, semi finished parts: CS (technical requirements Fullterer)
		1:1				
(k)				date	name	description: FR 7101 / 45 CS EN (mm) progressive-action full-extension drawerslide / side mount
(l)				drawn 05-01-2023	BM	
(m)				proven 00-00-0000	00	
(n)						drawing number: CS# 7101.450-GA.0000
(o)						
(p)				Fullterer AG & Co KG		replaces version date:
(q)				A-6890 Lustenau / Austria		
(r)				Fullterer AG		
(s)				CH-9430 St. Margrethen		
(t)				changes	date	na.