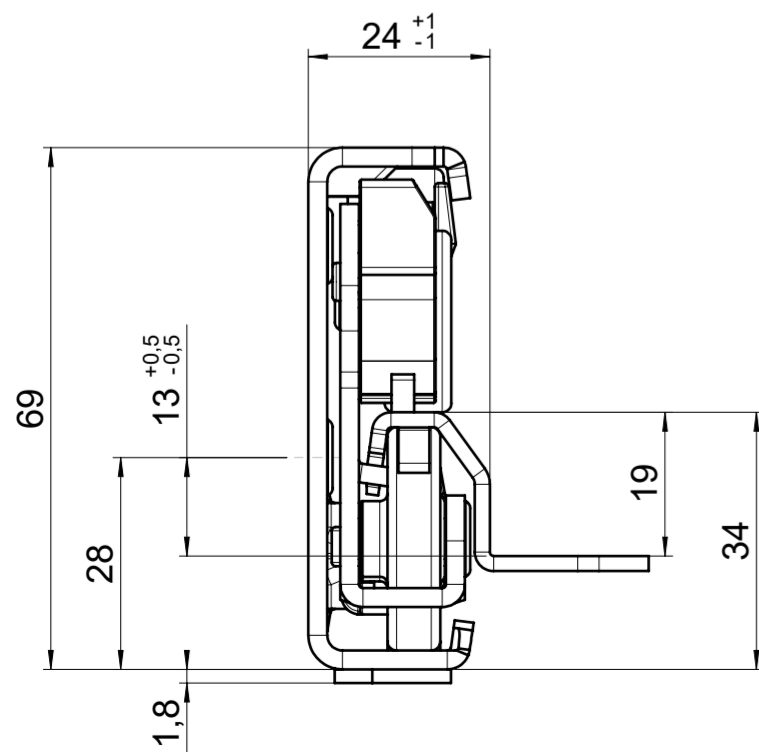
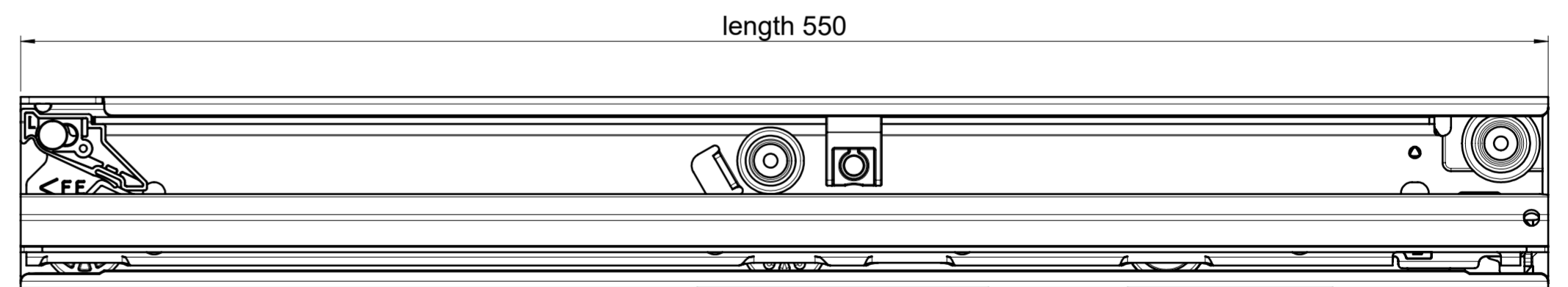
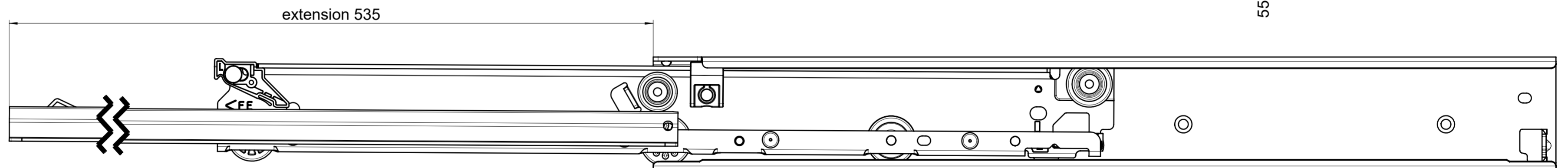
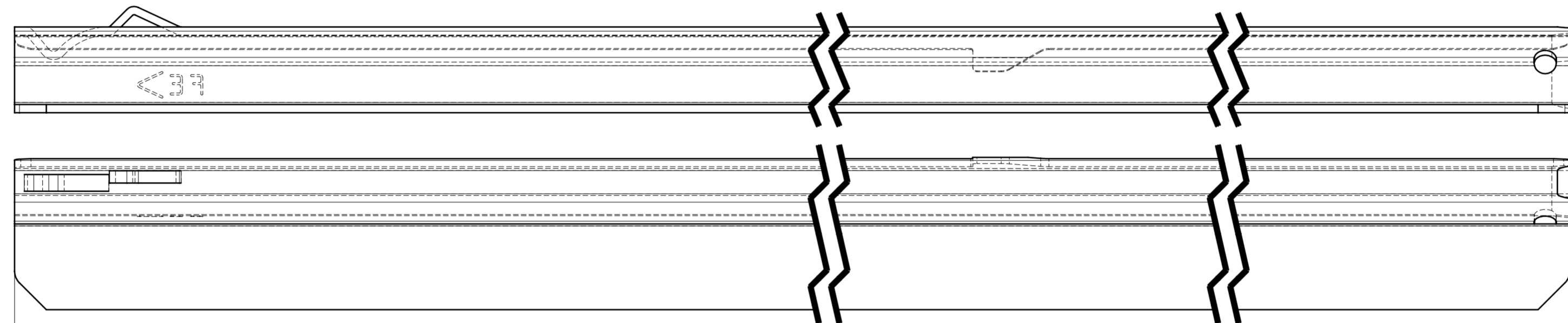
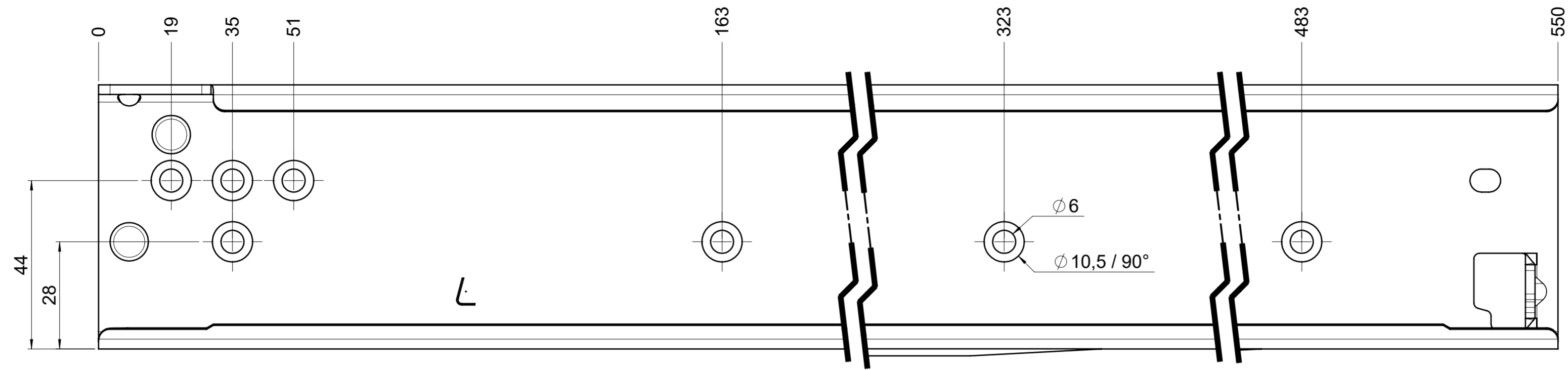


# CS# 7100.550-GA.0000

drawn left (right mirrorimage)



**final approval**

customer name:

signed by:

date:

**all dimensions in mm**

DIN ISO 128-30  
missing dimensions see 3D  
 = theor. intersection

This drawing remains our property and may not be multiplied neither be disclosed to third parties (§§1,3 and 5 from the copyright Act (UrhG)) covered according to DIN ISO 16016

(k) (l) (m) (n) (h) (g) (f) (e) (d) (c) (b) (a)	scale:	1:1	surface:	material, semi finished parts:	A2
	drawn	14-12-2022	name	CS	
	proven	00-00-0000	BM	(technical requirements Fulterer)	
				description:	FR 7100 / 55 CS EN (mm) progressive-action full-extension drawerslide / bottom mount
Fulterer AG & Co KG A-6890 Lustenau / Austria Fulterer AG CH-9430 St. Margrethen				drawing number:	CS# 7100.550-GA.0000
ind. changes      date      na.				replaces version date:	