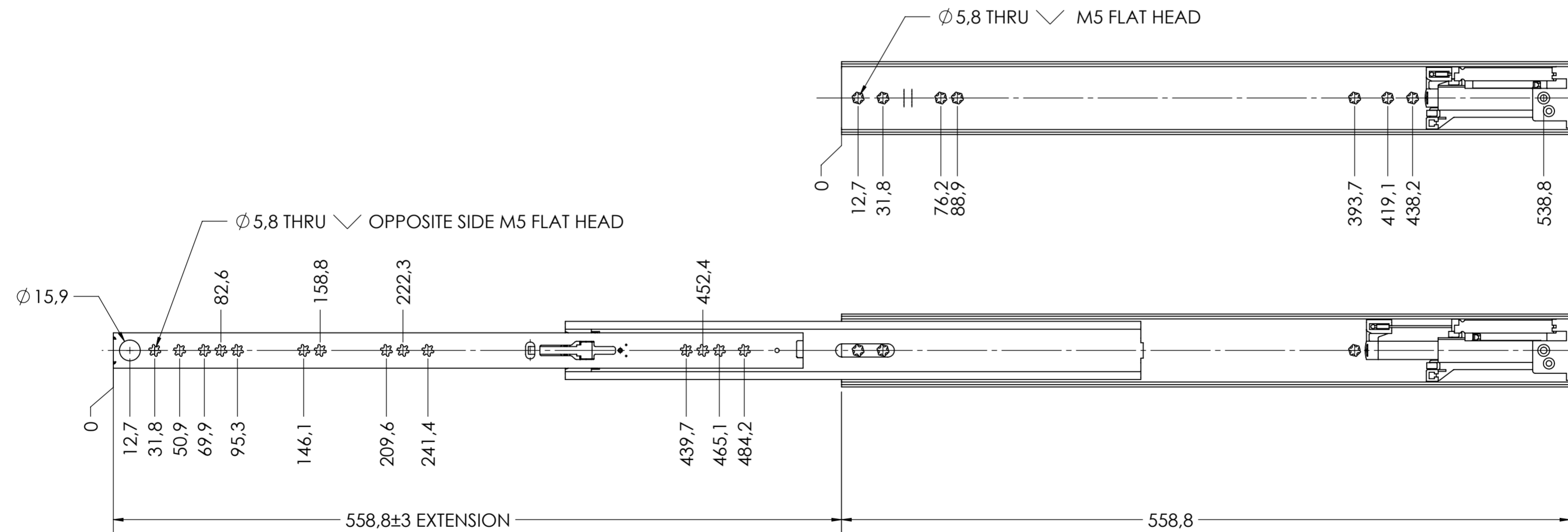


### CABINET MOUNTING HOLES



### RECOMMENDED HARDWARE:

CABINET- M5 FLAT HEAD SCREW #10 FLAT HEAD SCREW

DRAWER- M5 FLAT HEAD SCREW OR #10 FLAT HEAD SCREW

general tolerances		DIN ISO 128-30 missing dimensions see 3D = theor. intersection	
ISO 2768-m			
This drawing remains our property and may not be multiplied neither be disclosed to third parties (§§1,3 and 5 from the copyright Act (UrhG)) covered according to DIN ISO 16016			
(k)		scale:	surface:
(l)		1:3	
(m)		date	name
(n)		drawn 17-02-2021	MW
(o)		proven 00-00-0000	00
(p)		<b>Fulterer</b>	
(q)			
(r)		material, semi finished parts: STEEL (technical requirements Fulterer)	
(s)		description: FULL EXTENSION SIDE MOUNT SOFT CLOSE DRAWER SLIDE WITH DRAWER DISCONNECT	
(t)		drawing number: 5609.22-GA.T057	
(u)		replaces version date:	
(v)		Fulterer AG & Co KG A-6890 Lustenau / Austria	
(w)		Fulterer AG CH-9430 St. Margrethen	
(x)	UPDATE TITLE BLOCK	19-03-2019	HB
(y)	changes	date	na.