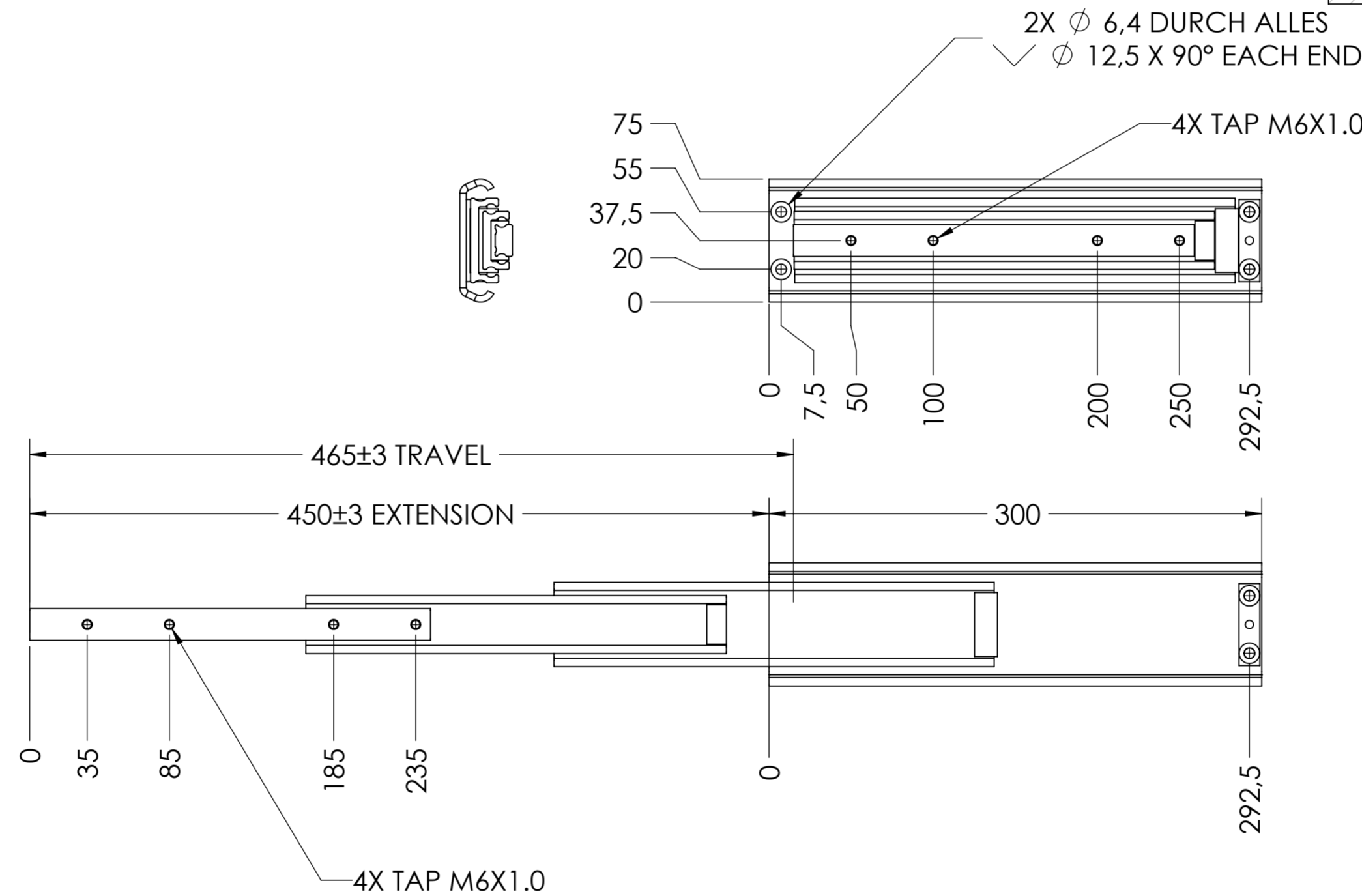


SCALE 1:1



RECOMMENDED HARDWARE:  
 CABINET- M6 FLAT HEAD SCREWS  
 (2) REAR SCREWS ARE 12mm LONGER THAN FRONT LOCATIONS  
 DRAWER- M6 x 1.0 SCREWS

general tolerances		DIN ISO 128-30 missing dimensions see 3D = theor. intersection	
ISO 2768-m			
This drawing remains our property and may not be multiplied neither be disclosed to third parties (§§1,3 and 5 from the copyright Act (UrhG)) covered according to DIN ISO 16016			
(k)	scale:	1:3	surface:
(l)	date	17-12-2018	name
(m)	drawn	HB	
(n)	proven	00-00-0000	00
(o)	<b>Fulterer</b>		
(p)	Fulterer AG & Co KG A-6890 Lustenau / Austria		
(q)	Fulterer AG CH-9430 St. Margrethen		
(r)	description:		material, semi finished parts: <b>STEEL</b> (technical requirements Fulterer)
(s)	drawing number:		150% EXTENSION SIDE MOUNT 150% EXTENSION SIDE MOUNT AVY DUTY DRAWER SLIDE NON-DISCONNECT
(t)	drawing number:		<b>5432.300-GA.T093</b>
(u)	replaces version date:		
(v)	ind.	changes	date
(w)	0	00-00-0000	0
(x)			
(y)			
(z)			