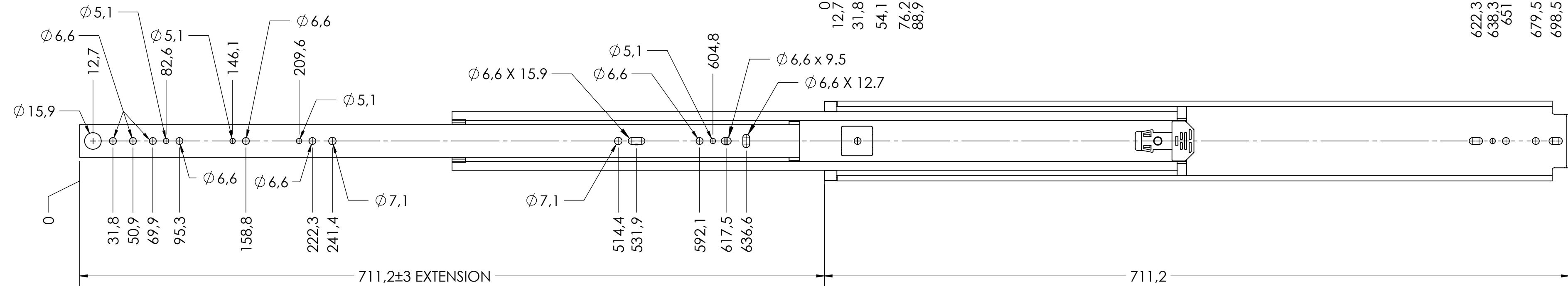
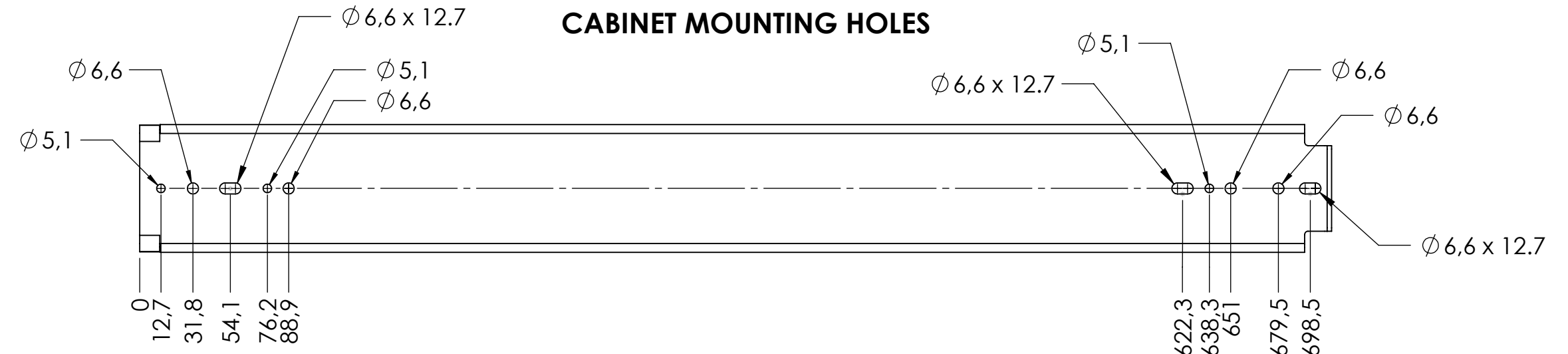


CABINET MOUNTING HOLES



RECOMMENDED HARDWARE:
 CABINET- M6 OR 1/4 BUTTON HEAD SCREWS
 DRAWER- M6 OR 1/4 BUTTON HEAD SCREWS

general tolerances		DIN ISO 128-30 missing dimensions see 3D = theor. intersection	
ISO 2768-m			
This drawing remains our property and may not be multiplied neither be disclosed to third parties (§§1,3 and 5 from the copyright Act (UrhG)) covered according to DIN ISO 16016			
(k)		scale:	1:3
(l)		surface:	STEEL
(m)		material, semi finished parts:	STEEL
(n)		date	27-07-2018
(o)		name	HB
(p)		drawn	27-07-2018
(q)		proven	00-00-0000
(r)			00
(s)		Fulterer	
(t)			
(u)		Fulterer AG & Co KG	
(v)		A-6890 Lustenau / Austria	
(w)		Fulterer AG	
(x)		CH-9430 St. Margrethen	
(y)		drawing number:	
(z)		5400.28-GA.T018	
(aa)	UPDATE TITLE BLOCK	19-03-2019	HB
(ab)	changes	date	na.
(ac)			
(ad)			
(ae)			
(af)			
(ag)			
(ah)			
(ai)			
(aj)			
(ak)			
(al)			
(am)			
(an)			
(ao)			
(ap)			
(aq)			
(ar)			
(as)			
(at)			
(au)			
(av)			
(aw)			
(ax)			
(ay)			
(az)			
(ba)			
(bb)			
(bc)			
(bd)			
(be)			
(bf)			
(bg)			
(bh)			
(bi)			
(bj)			
(bk)			
(bl)			
(bm)			
(bn)			
(bo)			
(bp)			
(bq)			
(br)			
(bs)			
(bt)			
(bu)			
(bv)			
(bw)			
(bx)			
(by)			
(bz)			
(ca)			
(cb)			
(cc)			
(cd)			
(ce)			
(cf)			
(cg)			
(ch)			
(ci)			
(cj)			
(ck)			
(cl)			
(cm)			
(cn)			
(co)			
(cp)			
(cq)			
(cr)			
(cs)			
(ct)			
(cu)			
(cv)			
(cw)			
(cx)			
(cy)			
(cz)			
(da)			
(db)			
(dc)			
(dd)			
(de)			
(df)			
(dg)			
(dh)			
(di)			
(dj)			
(dk)			
(dl)			
(dm)			
(dn)			
(do)			
(dp)			
(dq)			
(dr)			
(ds)			
(dt)			
(du)			
(dv)			
(dw)			
(dx)			
(dy)			
(dz)			
(ea)			
(eb)			
(ec)			
(ed)			
(ee)			
(ef)			
(eg)			
(eh)			
(ei)			
(ej)			
(ek)			
(el)			
(em)			
(en)			
(eo)			
(ep)			
(eq)			
(er)			
(es)			
(et)			
(eu)			
(ev)			
(ew)			
(ex)			
(ey)			
(ez)			
(fa)			
(fb)			
(fc)			
(fd)			
(fe)			
(ff)			
(fg)			
(fh)			
(fi)			
(fj)			
(fk)			
(fl)			
(fm)			
(fn)			
(fo)			
(fp)			
(fq)			
(fr)			
(fs)			
(ft)			
(fu)			
(fv)			
(fw)			
(fx)			
(fy)			
(fz)			
(ga)			
(gb)			
(gc)			
(gd)			
(ge)			
(gf)			
(gg)			
(gh)			
(gi)			
(gj)			
(gk)			
(gl)			
(gm)			
(gn)			
(go)			
(gp)			
(gq)			
(gr)			
(gs)			
(gt)			
(gu)			
(gv)			
(gw)			
(gx)			
(gy)			
(gz)			
(ha)			
(hb)			
(hc)			
(hd)			
(he)			
(hf)			
(hg)			
(hh)			
(hi)			
(hj)			
(hk)			
(hl)			
(hm)			
(hn)			
(ho)			
(hp)			
(hq)			
(hr)			
(hs)			
(ht)			
(hu)			
(hv)			
(hw)			
(hx)			
(hy)			
(hz)			
(ia)			
(ib)			
(ic)			
(id)			
(ie)			
(if)			
(ig)			
(ih)			
(ii)			
(ij)			
(ik)			
(il)			
(im)			
(in)			
(io)			
(ip)			
(iq)			
(ir)			
(is)			
(it)			
(iu)			
(iv)			
(iw)			
(ix)			
(iy)			
(iz)			
(ja)			
(jb)			
(jc)			
(jd)			
(je)			
(jf)			
(jg)			
(jh)			
(ji)			
(jj)			
(jk)			
(jl)			
(jm)			
(jn)			
(jo)			
(jp)			
(jq)			
(jr)			
(js)			
(jt)			
(ju)			
(jv)			
(jw)			
(jx)			
(jy)			
(jz)			
(ka)			
(kb)			
(kc)			
(kd)			
(ke)			
(kf)			
(kg)			
(kh)			
(ki)			
(kj)			
(kk)			
(kl)			
(km)			
(kn)			
(ko)			
(kp)			
(kq)			
(kr)			
(ks)			
(kt)			
(ku)			
(kv)			
(kw)			
(kx)			
(ky)			
(kz)			
(la)			
(lb)			
(lc)			
(ld)			
(le)			
(lf)			
(lg)			
(lh)			
(li)			
(lj)			
(lk)			
(ll)			
(lm)			
(ln)			
(lo)			
(lp)			
(lq)			
(lr)			
(ls)			
(lt)			
(lu)			
(lv)			
(lw)			
(lx)			
(ly)			
(lz)			
(ma)			
(mb)			
(mc)			
(md)			
(me)			
(mf)			
(mg)			
(mh)			
(mi)			
(mj)			
(mk)			
(ml)			
(mm)			
(mn)			
(mo)			
(mp)			
(mq)			
(mr)			
(ms)			
(mt)			
(mu)			
(mv)			
(mw)			
(mx)			
(my)			
(mz)			
(na)			
(nb)			
(nc)			
(nd)			
(ne)			
(nf)			
(ng)			
(nh)			
(ni)			
(nj)			
(nk)			
(nl)			
(nm)			
(nn)			
(no)			
(np)			
(nq)			
(nr)			
(ns)			
(nt)			
(nu)			
(nv)			
(nw)			
(nx)			
(ny)			
(nz)			
(oa)			
(ob)			
(oc)			