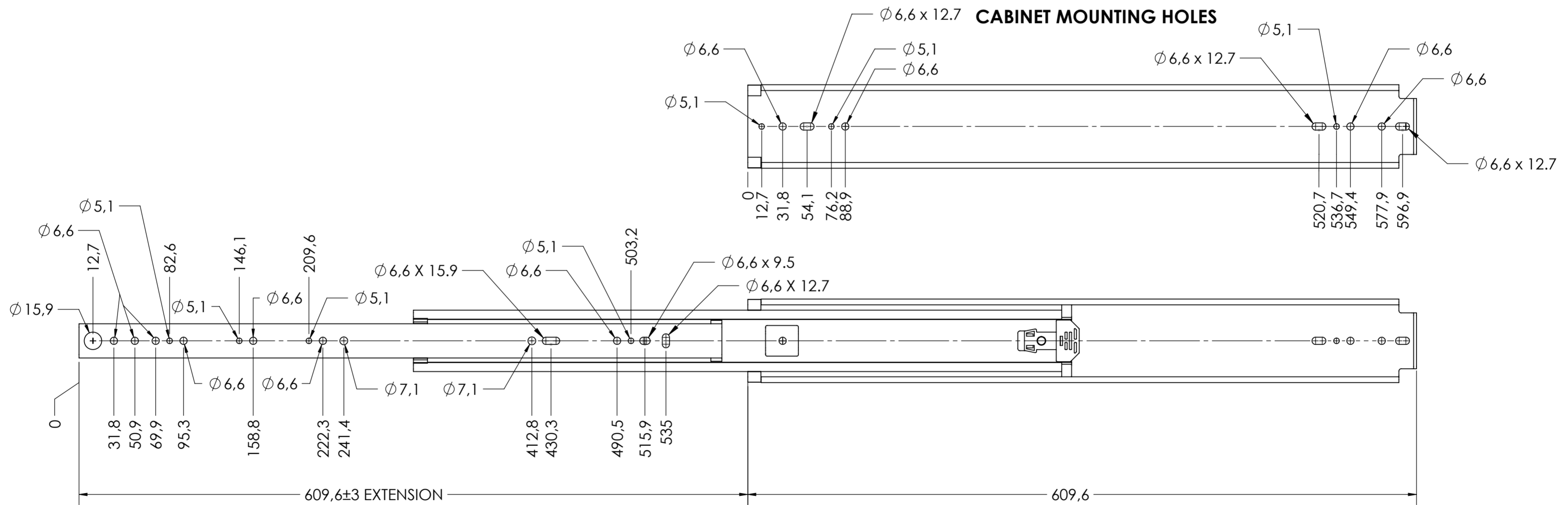
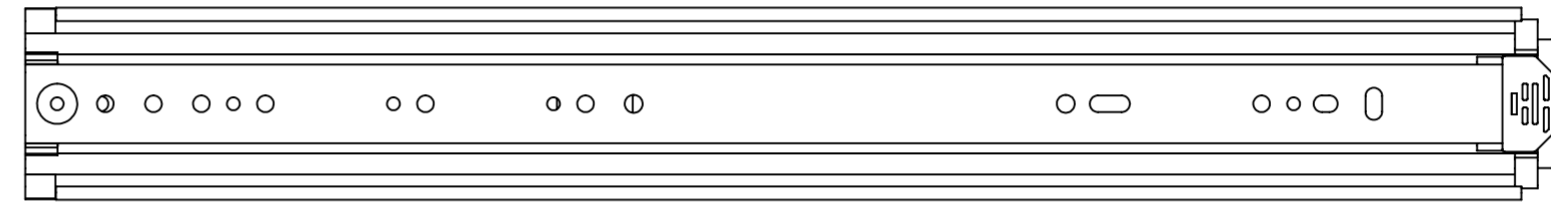
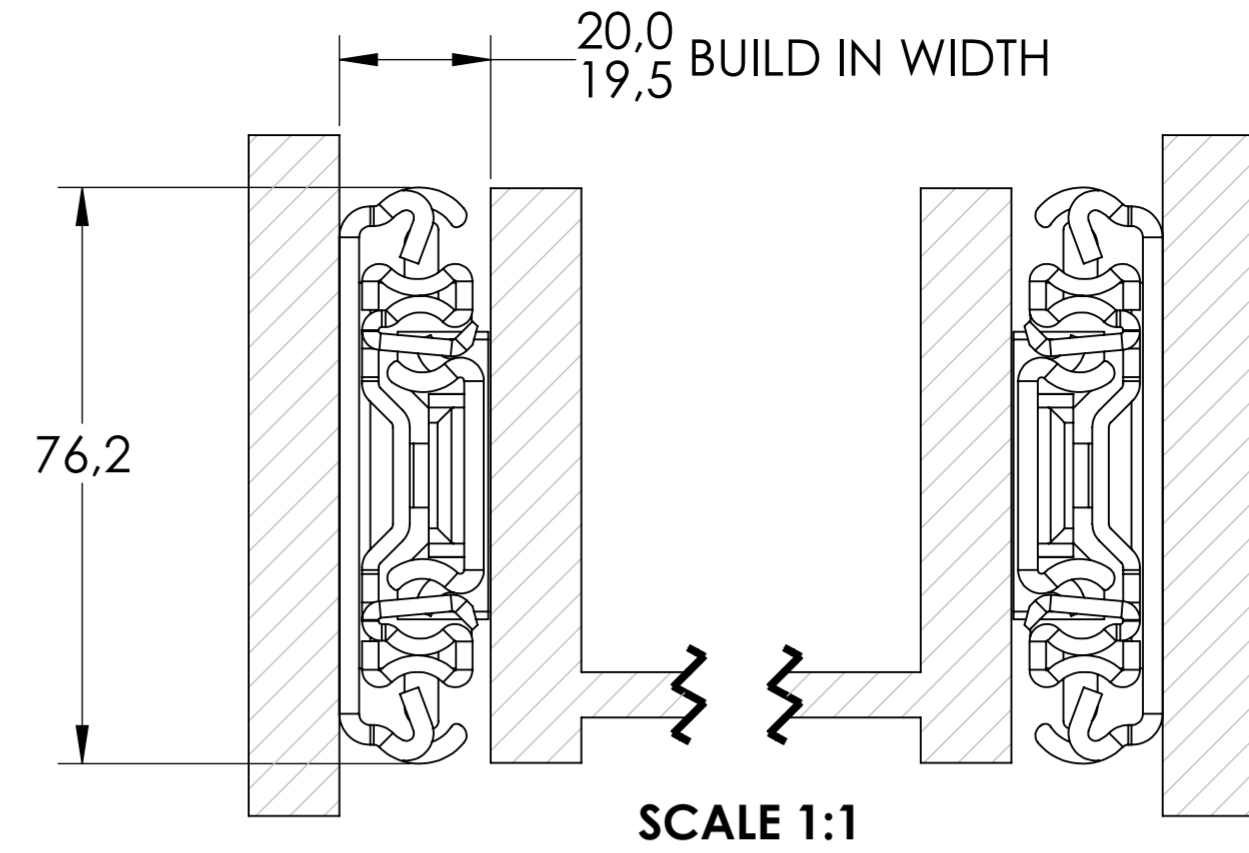
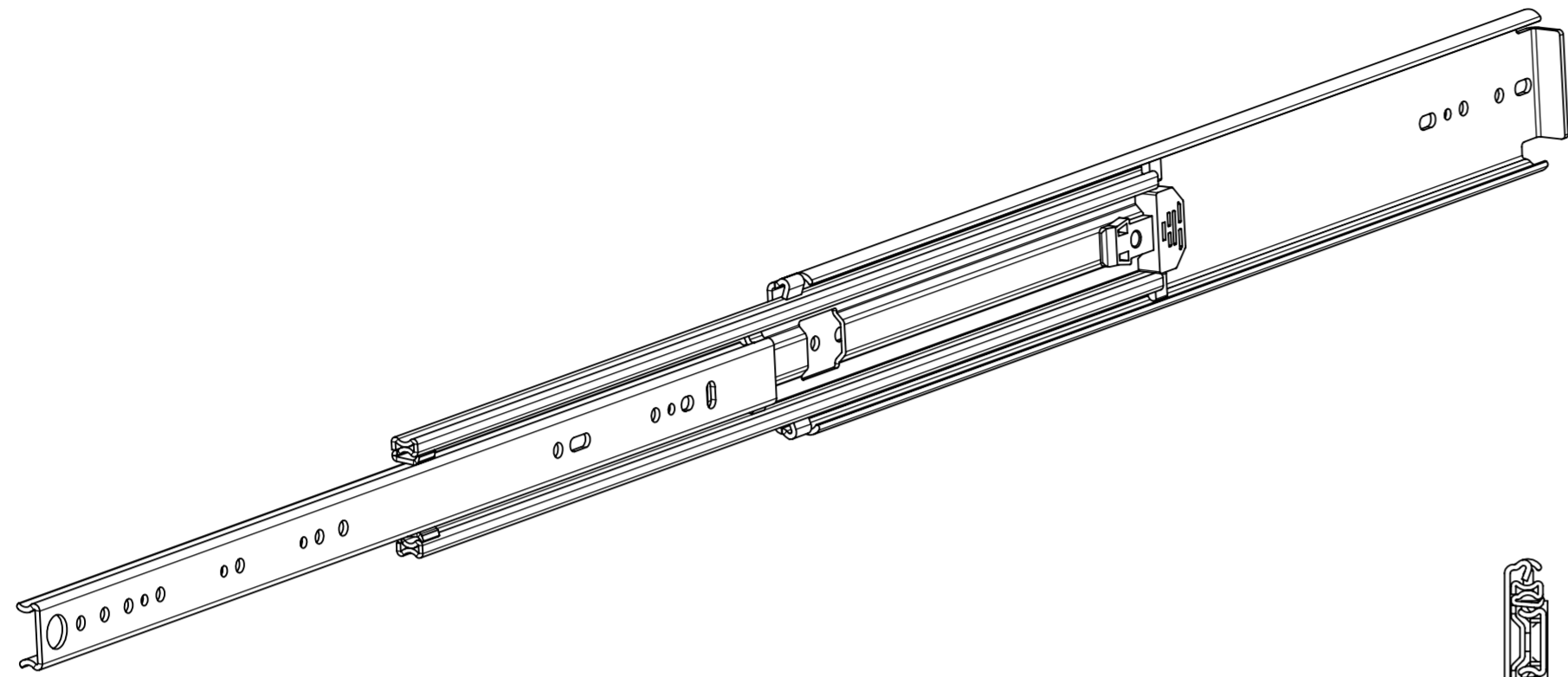


5400.24-GA.T018

X



RECOMMENDED HARDWARE:
 CABINET- M6 OR 1/4 BUTTON HEAD SCREWS
 DRAWER- M6 OR 1/4 BUTTON HEAD SCREWS

general tolerances		DIN ISO 128-30 missing dimensions see 3D = theor. intersection	
ISO 2768-m			
This drawing remains our property and may not be multiplied neither be disclosed to third parties (§§1,3 and 5 from the copyright Act (UrhG)) covered according to DIN ISO 16016			
(k)		scale:	material, semi finished parts: A2
(l)		1:3	STEEL
(m)		surface:	(technical requirements Fulterer)
(n)		date	description: FULL EXTENSION SIDE MOUNT HEAVY DUTY DRAWER SLIDE NON-DISCONNECT
(o)		drawn 27-07-2018 00	
(p)		proven 00-00-0000 00	drawing number: 5400.24-GA.T018
(q)		replaces version date:	
(r)			
(s)			
(t)		Fulterer AG & Co KG A-6890 Lustenau / Austria Fulterer AG CH-9430 St. Margrethen	
(u)	UPDATE TITLE BLOCK	19-03-2019	HB
(v)	changes	date	na.