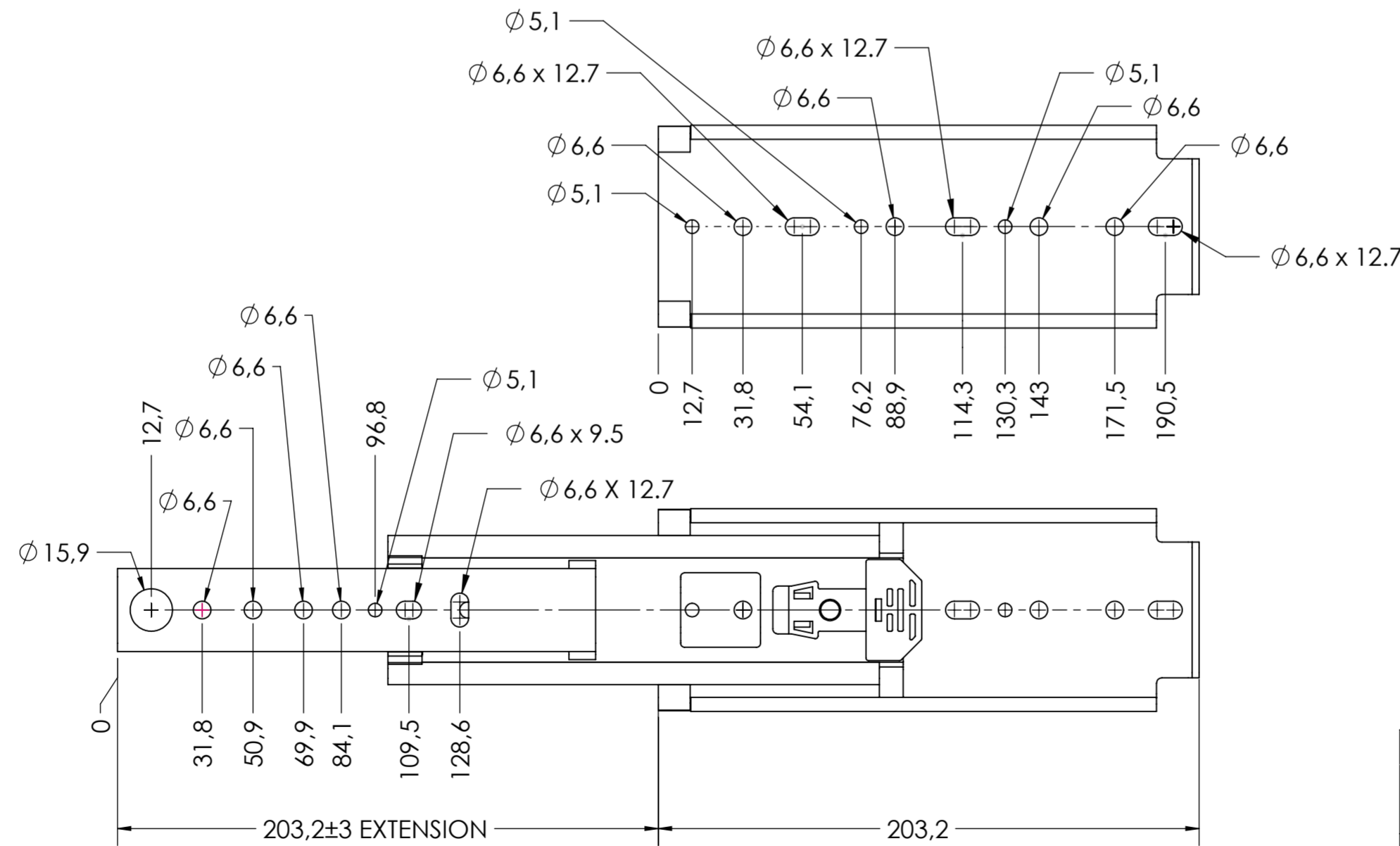


CABINET MOUNTING HOLES



RECOMMENDED HARDWARE:
 CABINET- M6 OR 1/4 BUTTON HEAD SCREWS
 DRAWER- M6 OR 1/4 BUTTON HEAD SCREWS

general tolerances		DIN ISO 128-30 missing dimensions see 3D = theor. intersection	
ISO 2768-m			
This drawing remains our property and may not be multiplied neither be disclosed to third parties (§§1,3 and 5 from the copyright Act (UrhG)) covered according to DIN ISO 16016			
(k)		scale:	surface:
(l)		1:2	
(m)		date	name
(n)		drawn 27-07-2018	HB
(o)		proven 00-00-0000	00
(p)		Fulterer	
(q)			
(r)		description:	
(s)		FULL EXTENSION SIDE MOUNT HEAVY DUTY DRAWER SLIDE NON-DISCONNECT	
(t)		drawing number:	
(u)		5400.08-GA.T018	
(v)		replaces version date:	
(w)			
(x)			
(y)			
(z)			
(aa)	UPDATE TITLE BLOCK	19-03-2019	HB
(ab)	changes	date	na.
(ac)			
(ad)			
(ae)			
(af)			
(ag)			
(ah)			
(ai)			
(aj)			
(ak)			
(al)			
(am)			
(an)			
(ao)			
(ap)			
(aq)			
(ar)			
(as)			
(at)			
(au)			
(av)			
(aw)			
(ax)			
(ay)			
(az)			
(ba)			
(bb)			
(bc)			
(bd)			
(be)			
(bf)			
(bg)			
(bh)			
(bi)			
(bj)			
(bk)			
(bl)			
(bm)			
(bn)			
(bo)			
(bp)			
(bq)			
(br)			
(bs)			
(bt)			
(bu)			
(bv)			
(bw)			
(bx)			
(by)			
(bz)			
(ca)			
(cb)			
(cc)			
(cd)			
(ce)			
(cf)			
(cg)			
(ch)			
(ci)			
(cj)			
(ck)			
(cl)			
(cm)			
(cn)			
(co)			
(cp)			
(cq)			
(cr)			
(cs)			
(ct)			
(cu)			
(cv)			
(cw)			
(cx)			
(cy)			
(cz)			
(da)			
(db)			
(dc)			
(dd)			
(de)			
(df)			
(dg)			
(dh)			
(di)			
(dj)			
(dk)			
(dl)			
(dm)			
(dn)			
(do)			
(dp)			
(dq)			
(dr)			
(ds)			
(dt)			
(du)			
(dv)			
(dw)			
(dx)			
(dy)			
(dz)			
(ea)			
(eb)			
(ec)			
(ed)			
(ee)			
(ef)			
(eg)			
(eh)			
(ei)			
(ej)			
(ek)			
(el)			
(em)			
(en)			
(eo)			
(ep)			
(eq)			
(er)			
(es)			
(et)			
(eu)			
(ev)			
(ew)			
(ex)			
(ey)			
(ez)			
(fa)			
(fb)			
(fc)			
(fd)			
(fe)			
(ff)			
(fg)			
(fh)			
(fi)			
(fj)			
(fk)			
(fl)			
(fm)			
(fn)			
(fo)			
(fp)			
(fq)			
(fr)			
(fs)			
(ft)			
(fu)			
(fv)			
(fw)			
(fx)			
(fy)			
(fz)			
(ga)			
(gb)			
(gc)			
(gd)			
(ge)			
(gf)			
(gg)			
(gh)			
(gi)			
(gj)			
(gk)			
(gl)			
(gm)			
(gn)			
(go)			
(gp)			
(gq)			
(gr)			
(gs)			
(gt)			
(gu)			
(gv)			
(gw)			
(gx)			
(gy)			
(gz)			
(ha)			
(hb)			
(hc)			
(hd)			
(he)			
(hf)			
(hg)			
(hh)			
(hi)			
(hj)			
(hk)			
(hl)			
(hm)			
(hn)			
(ho)			
(hp)			
(hq)			
(hr)			
(hs)			
(ht)			
(hu)			
(hv)			
(hw)			
(hx)			
(hy)			
(hz)			
(ia)			
(ib)			
(ic)			
(id)			
(ie)			
(if)			
(ig)			
(ih)			
(ii)			
(ij)			
(ik)			
(il)			
(im)			
(in)			
(io)			
(ip)			
(iq)			
(ir)			
(is)			
(it)			
(iu)			
(iv)			
(iw)			
(ix)			
(iy)			
(iz)			
(ja)			
(jb)			
(jc)			
(jd)			
(je)			
(jf)			
(jg)			
(jh)			
(ji)			
(jj)			
(jk)			
(jl)			
(jm)			
(jn)			
(jo)			
(jp)			
(jq)			
(jr)			
(js)			
(jt)			
(ju)			
(jv)			
(jw)			
(jx)			
(jy)			
(jz)			
(ka)			
(kb)			
(kc)			
(kd)			
(ke)			
(kf)			
(kg)			
(kh)			
(ki)			
(kj)			
(kk)			
(kl)			
(km)			
(kn)			
(ko)			
(kp)			
(kq)			
(kr)			
(ks)			
(kt)			
(ku)			
(kv)			
(kw)			
(kx)			
(ky)			
(kz)			
(la)			
(lb)			
(lc)			
(ld)			
(le)			
(lf)			
(lg)			
(lh)			
(li)			
(lj)			
(lk)			
(ll)			
(lm)			
(ln)			
(lo)			
(lp)			
(lq)			
(lr)			
(ls)			
(lt)			
(lu)			
(lv)			
(lw)			
(lx)			
(ly)			
(lz)			
(ma)			
(mb)			
(mc)			
(md)			
(me)			
(mf)			
(mg)			
(mh)			
(mi)			
(mj)			
(mk)			
(ml)			
(mm)			
(mn)			
(mo)			
(mp)			
(mq)			
(mr)			
(ms)			
(mt)			
(mu)			
(mv)			
(mw)			
(mx)			
(my)			
(mz)			
(na)			
(nb)			
(nc)			
(nd)			
(ne)			
(nf)			
(ng)			
(nh)			
(ni)			
(nj)			
(nk)			
(nl)			
(nm)			
(nn)			
(no)			
(np)			
(nq)			
(nr)			
(ns)			
(nt)			
(nu)			
(nv)			
(nw)			
(nx)			
(ny)			
(nz)			
(oa)			
(ob)			
(oc)			
(od)			
(oe)			
(of)			
(og)			
(oh)			
(oi)			
(oj)			
(ok)			
(ol)			
(om)			
(on)			
(oo)			
(op)			