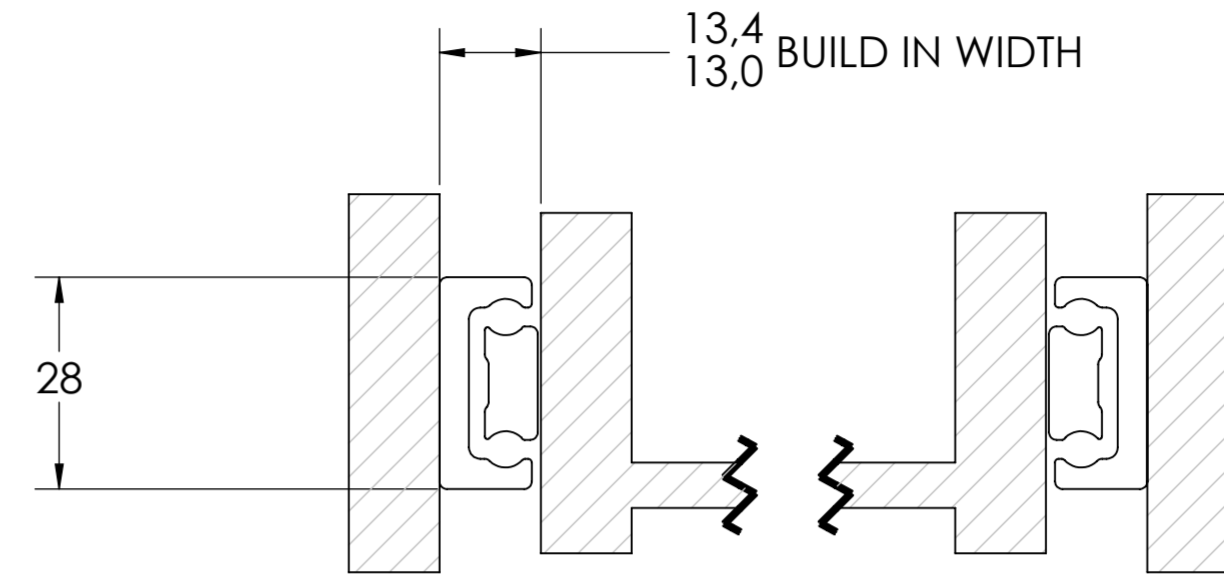
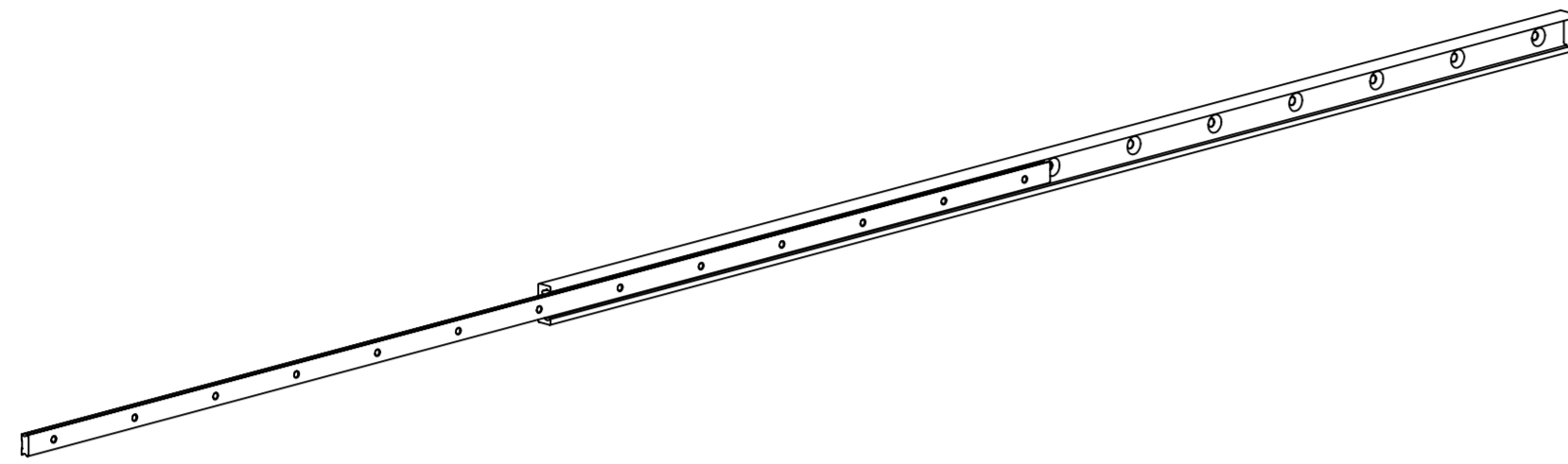
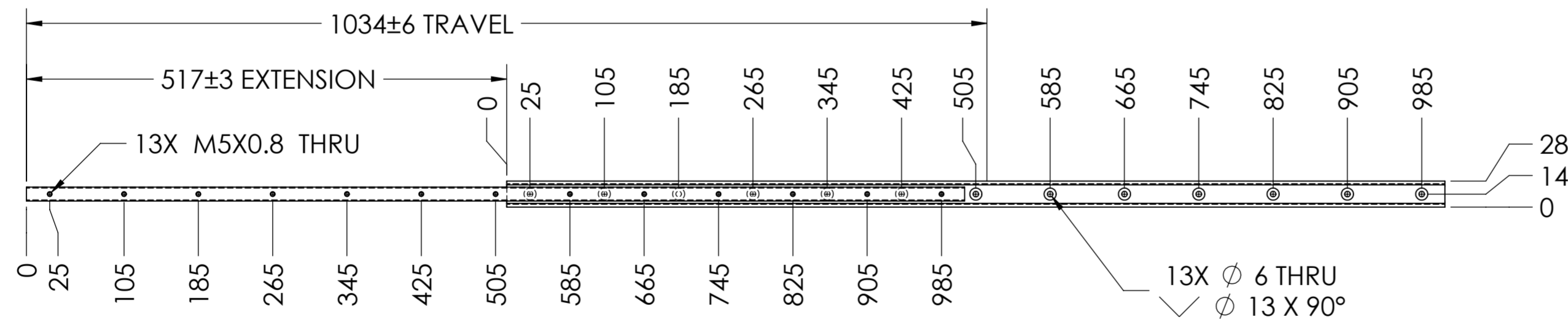
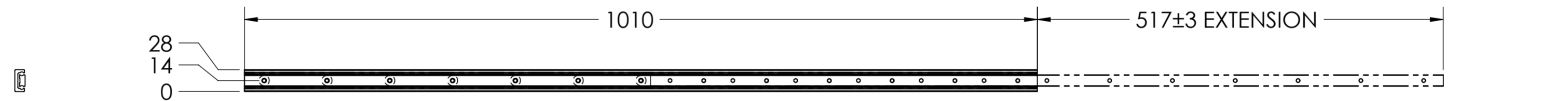


5328.1010-GA.T0915328.1010-GA.T091

X



SCALE 1:1



RECOMMENDED HARDWARE:
 CABINET- M5 FLAT HEAD SCREWS
 DRAWER- M5 x .8 SCREWS

X

general tolerances		DIN ISO 128-30 missing dimensions see 3D = theor. intersection	
ISO 2768-m			
This drawing remains our property and may not be multiplied neither be disclosed to third parties (§§1,3 and 5 from the copyright Act (UrhG)) covered according to DIN ISO 16016			
(k)	scale:	1:51:5	surface:
(l)	date	23-07-2018	name
(m)	drawn	HB	
(n)	proven	00-00-0000	00
(o)	Fulterer		description: TWO-WAY TRAVEL SIDE MOUNT TWO-WAY TRAVEL SIDE MOUNT SUPER HEAVY DUTY SLIDE
(p)			
(q)	Fulterer AG & Co KG A-6890 Lustenau / Austria		drawing number: 5328.1010-GA.T091
(r)	Fulterer AG CH-9430 St. Margrethen		
(s)	changes	date	na.
(t)	0	00-00-0000	0
(u)	replaces version date:		