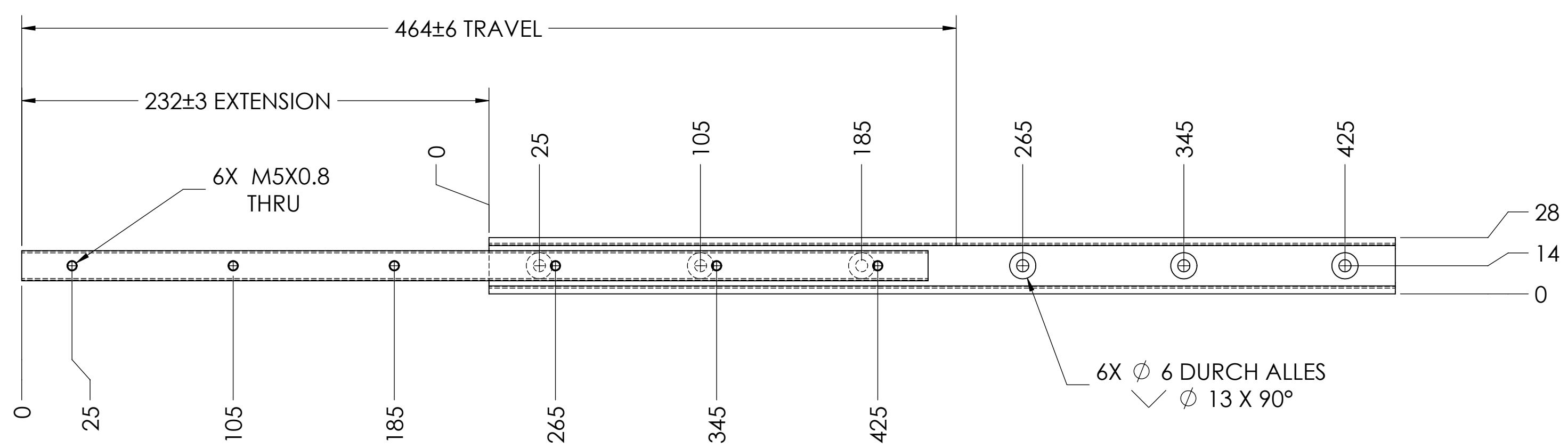
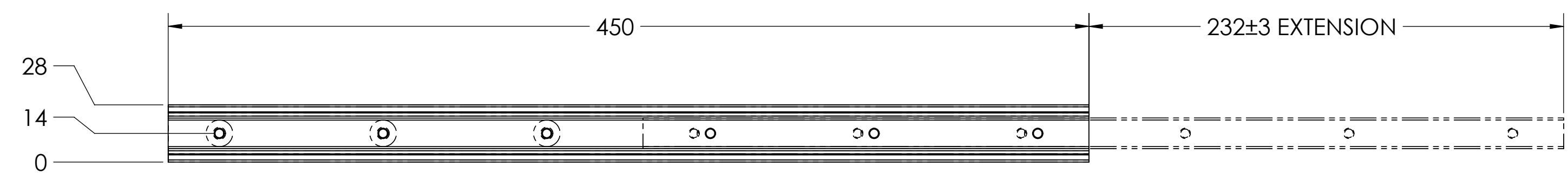


SCALE 1:1



RECOMMENDED HARDWARE:
 CABINET- M5 FLAT HEAD SCREWS
 DRAWER- M5 x .8 SCREWS

general tolerances		DIN ISO 128-30 missing dimensions see 3D = theor. intersection	
ISO 2768-m			
This drawing remains our property and may not be multiplied neither be disclosed to third parties (§§1,3 and 5 from the copyright Act (UrhG)) covered according to DIN ISO 16016			
(k) (l) (m) (n) (o) (p) (q) (r) (s) (t)	scale:	1:21:2	surface:
	date:	23-07-2018	name:
	drawn:	HB	description:
	proven:	00-00-0000	00
			TWO-WAY TRAVEL SIDE MOUNT TWO-WAY TRAVEL SIDE MOUNT SUPER HEAVY DUTY SLIDE
Fulterer AG & Co KG A-6890 Lustenau / Austria Fulterer AG CH-9430 St. Margrethen		drawing number: 5328.450-GA.T091 replaces version date:	
ind.	changes	date	na.