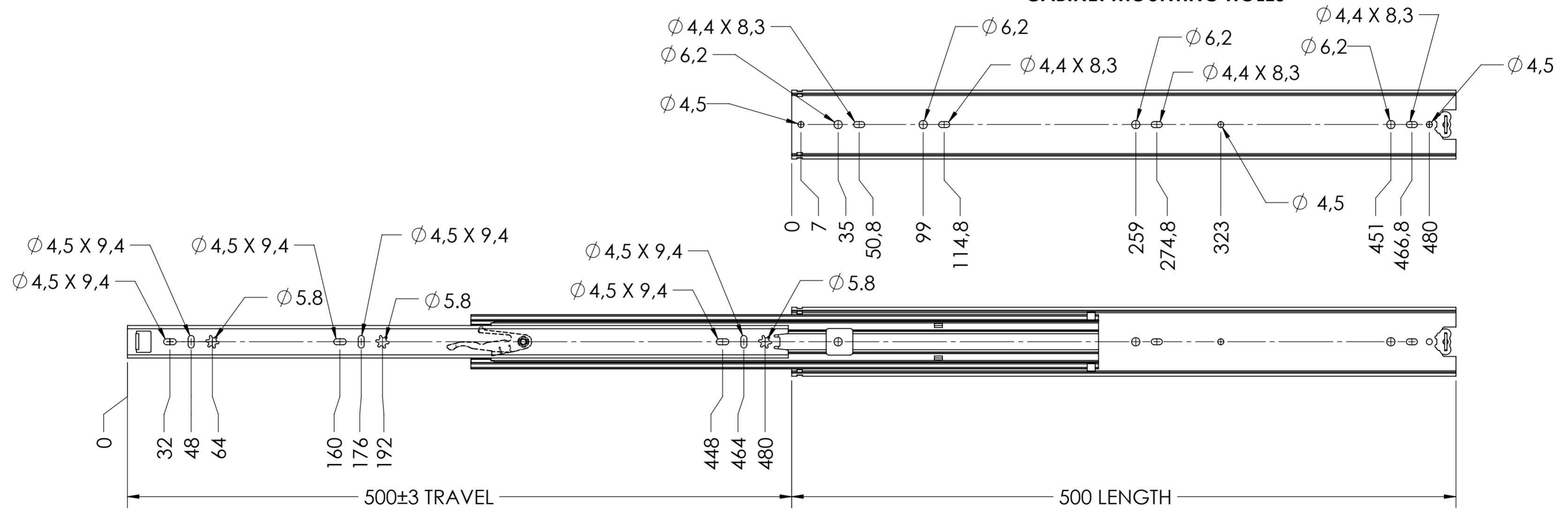


CABINET MOUNTING HOLES



RECOMMENDED HARDWARE:

CABINET- M4 BUTTON HEAD OR #8 TRUSS HEAD SCREW

DRAWER- M4 BUTTON HEAD OR #8 TRUSS HEAD SCREW

general tolerances				missing dimensions see 3D = theor. intersection	
ISO 2768-m					
This drawing remains our property and may not be multiplied neither be disclosed to third parties (§§1,3 and 5 from the copyright Act (UrhG)) covered according to DIN ISO 16016					
(k)		scale:	3:83:8	surface:	material, semi finished parts: STEEL (technical requirements Fulterer)
(l)		date		name	
(m)		drawn	05-10-2018	HB	description: FULL EXTENSION SIDE MOUNT DRAWER SLIDE WITH DRAWER DISCONNECT
(n)		proven	00-00-0000	00	
(o)		Fulterer		drawing number: 5052.500-GA.T005	
(p)				Fulterer AG & Co KG A-6890 Lustenau / Austria	
(q)		Fulterer AG CH-9430 St. Margrethen		replaces version date:	
(r)	0	00-00-0000	0		
(s)	ind.	changes	date	na.	