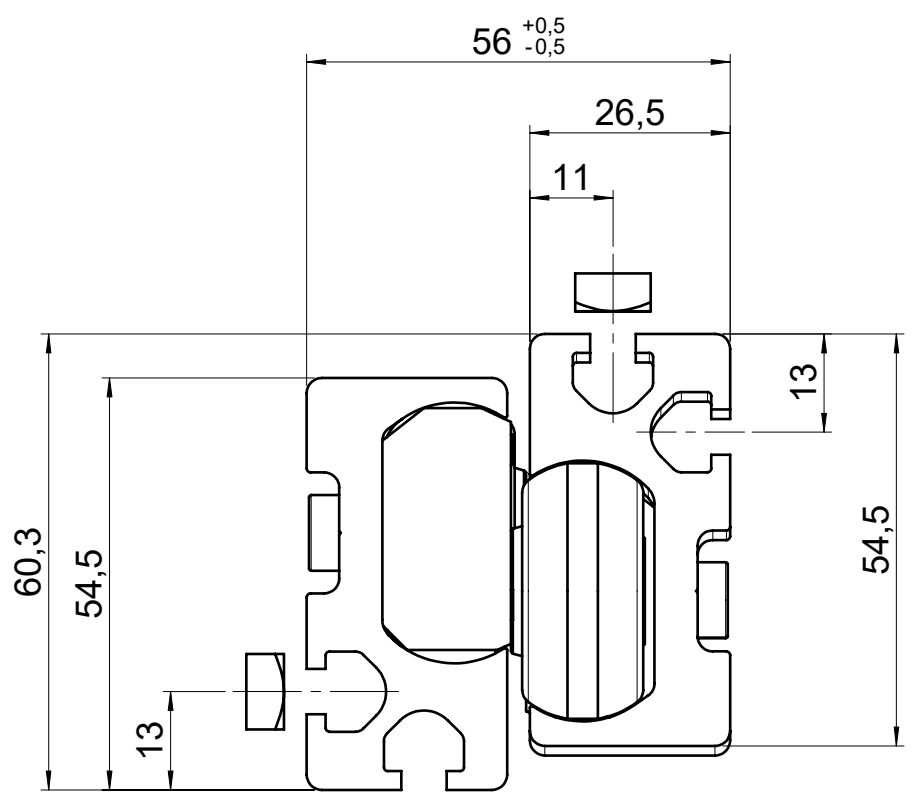
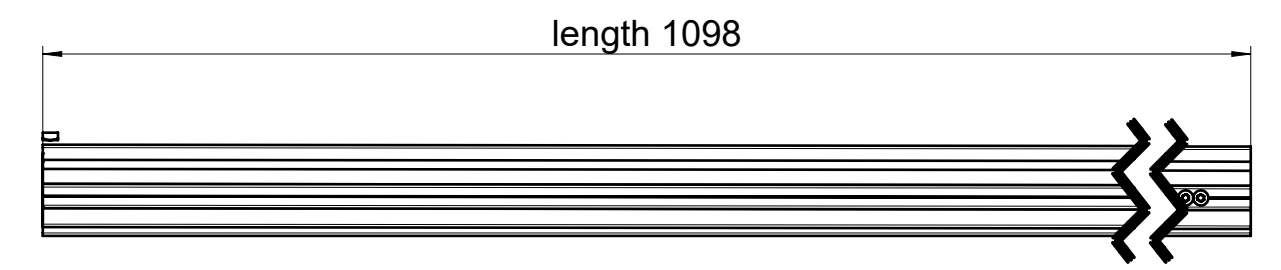
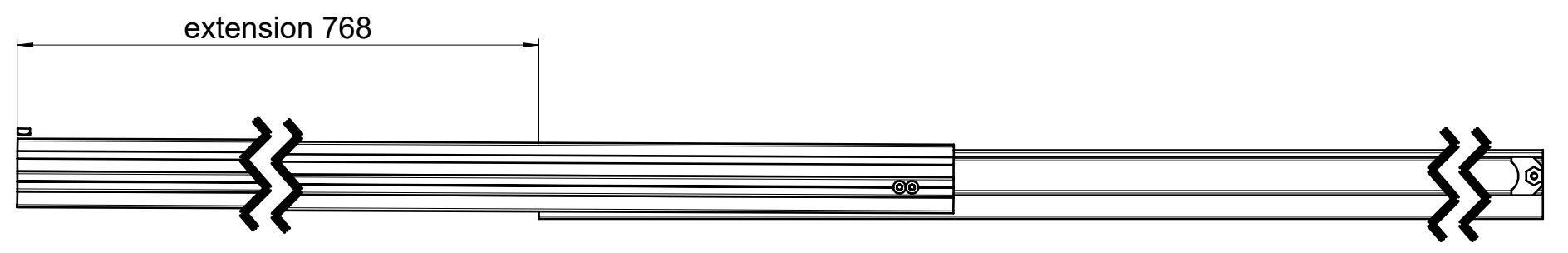
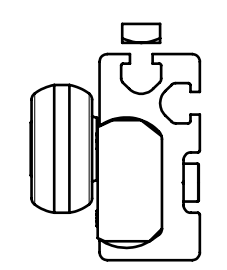
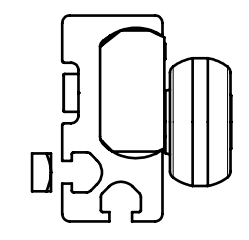
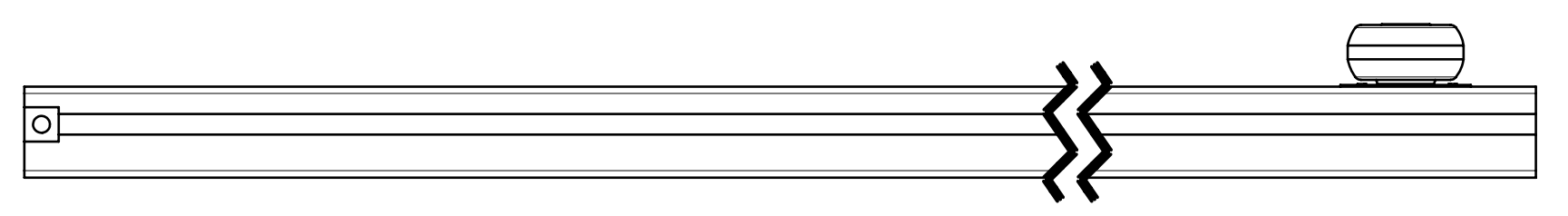
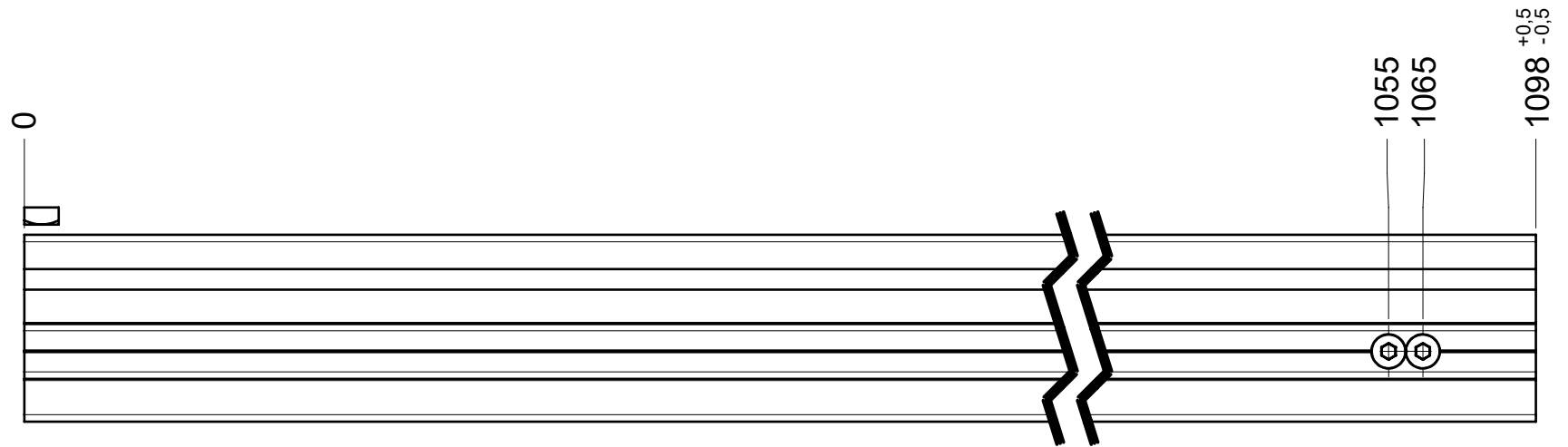
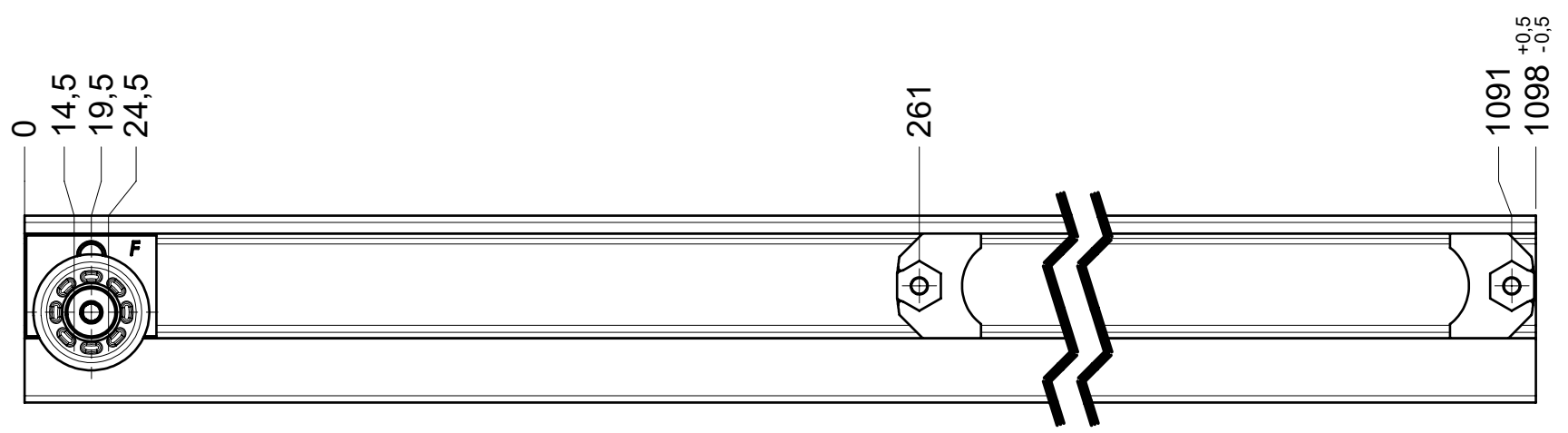


drawn left



**final approval**

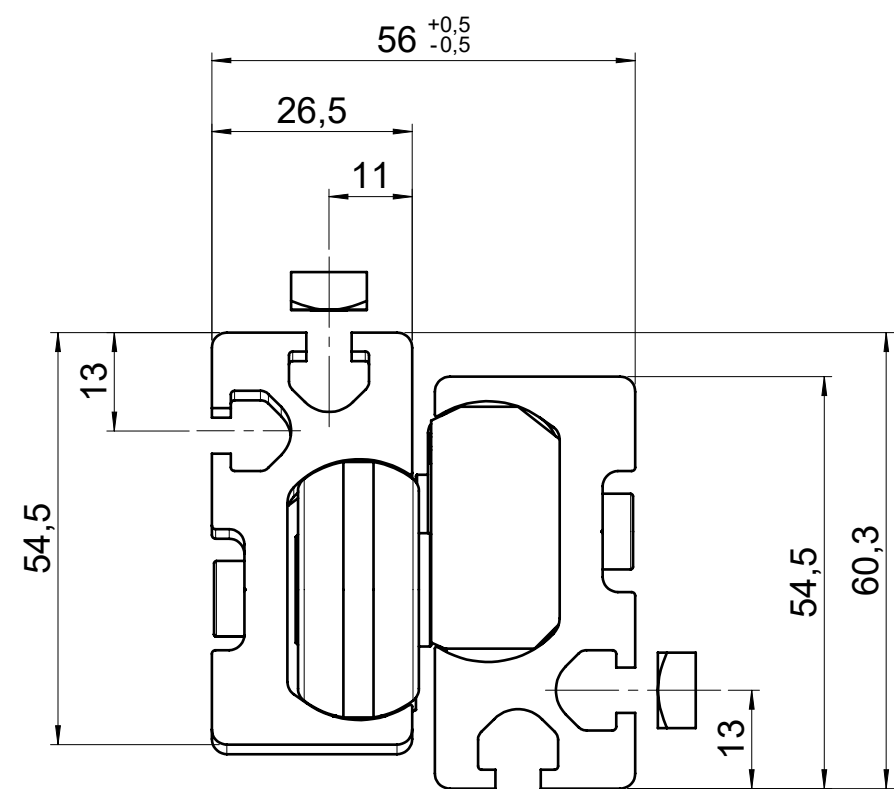
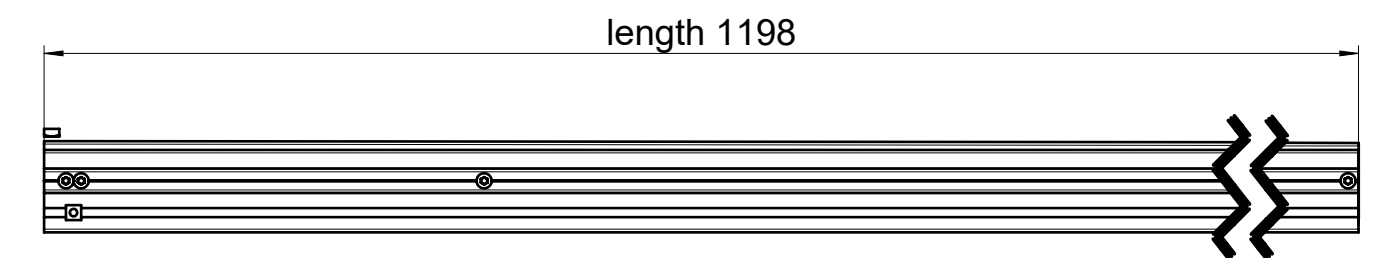
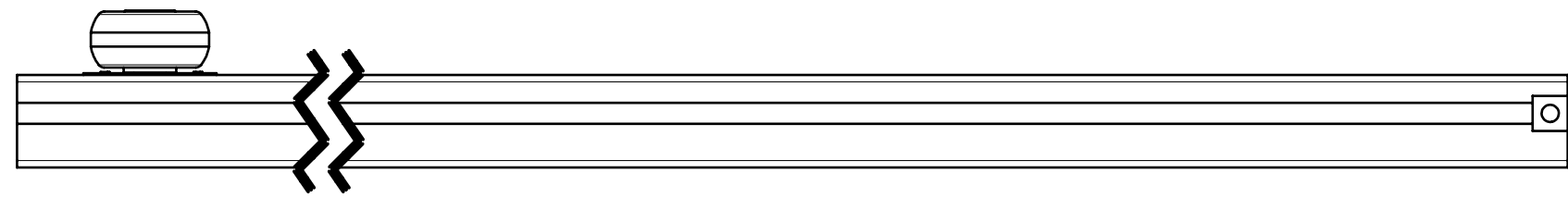
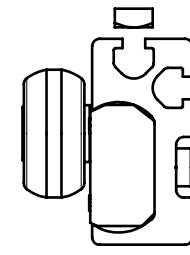
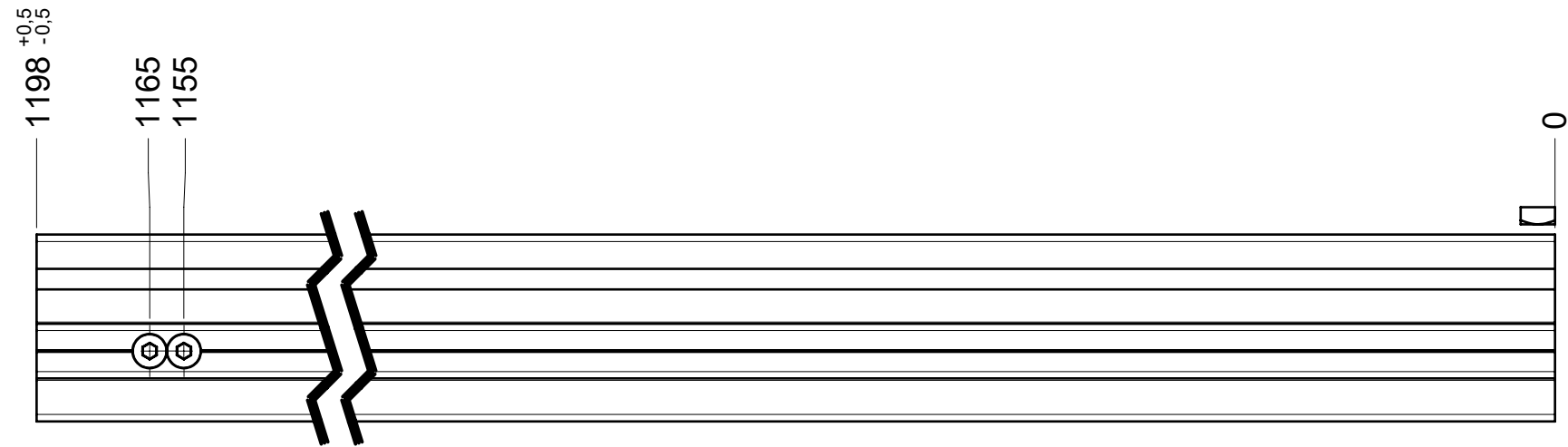
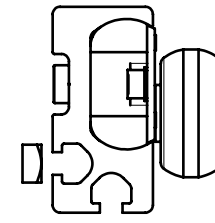
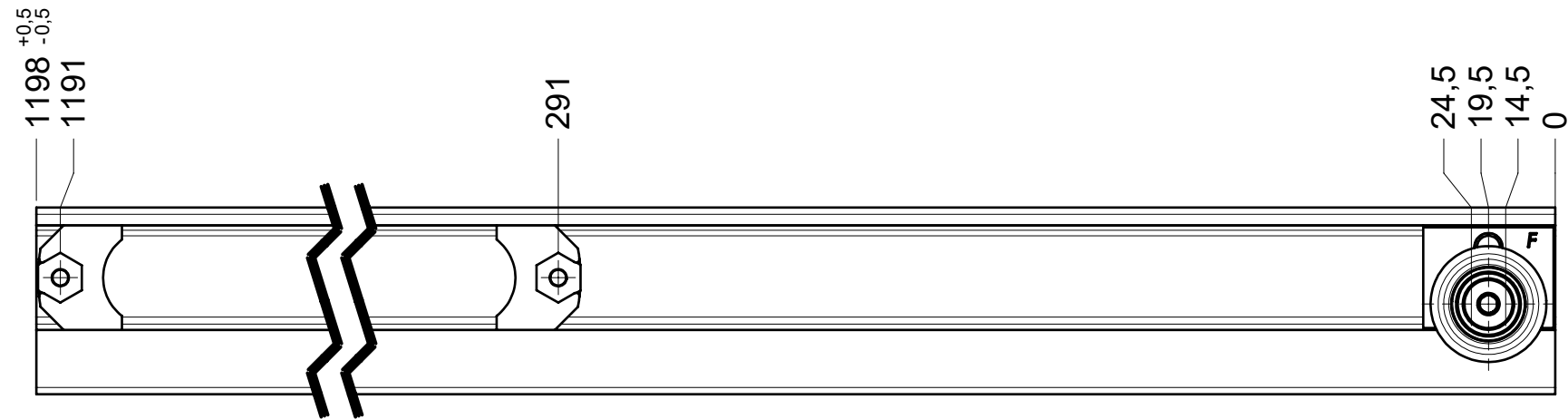
customer name:

signed by:

date:

<b>all dimensions in mm</b>				DIN ISO 128-30 missing dimensions see 3D = theor. intersection	
This drawing remains our property and may not be multiplied neither be disclosed to third parties (§§1,3 and 5 from the copyright Act (UrhG)) covered according to DIN ISO 16016					
scale: 1:2		surface:		material, semi finished parts: CS (technical requirements Fulterer)	
(k)		drawn	01-02-2023	date	name
(l)		proven	01-03-2023	ex	pr
(h)		<b>Fulterer</b>			
(g)					
(f)					
(e)					
(d)					
(c)		Fulterer AG & Co KG A-6890 Lustenau / Austria		description: FR 9000 / 110 EN (mm) progressive-action full-extension drawerslide / side mount	
(b)		Fulterer AG CH-9430 St. Margrethen		drawing number: <b>9000.1100-GA.0000.li</b>	
(a)		changes		replaces version date:	
ind.		date	na.		

drawn right



**final approval**

customer name:

signed by:

date:

**all dimensions in mm**

DIN ISO 128-30  
missing dimensions see 3D  
= theor. intersection

This drawing remains our property and may not be multiplied neither be disclosed to third parties (§§1,3 and 5 from the copyright Act (UrhG)) covered according to DIN ISO 16016				scale: 1:2	surface:	material, semi finished parts: CS (technical requirements Fulterer)	A2
(k)				drawn	date	name	description: FR 9000 / 120 EN (mm) progressive-action full-extension drawerslide / side mount
(l)				proven	01-02-2023	ex	
(h)					01-03-2023	pr	
(g)							
(f)							drawing number: <b>9000.1200-GA.0000.re</b> replaces version date:
(e)							
(d)							
(c)							
(b)				Fulterer AG & Co KG A-6890 Lustenau / Austria			
(a)				Fulterer AG CH-9430 St. Margrethen			
ind.	changes	date	na.				