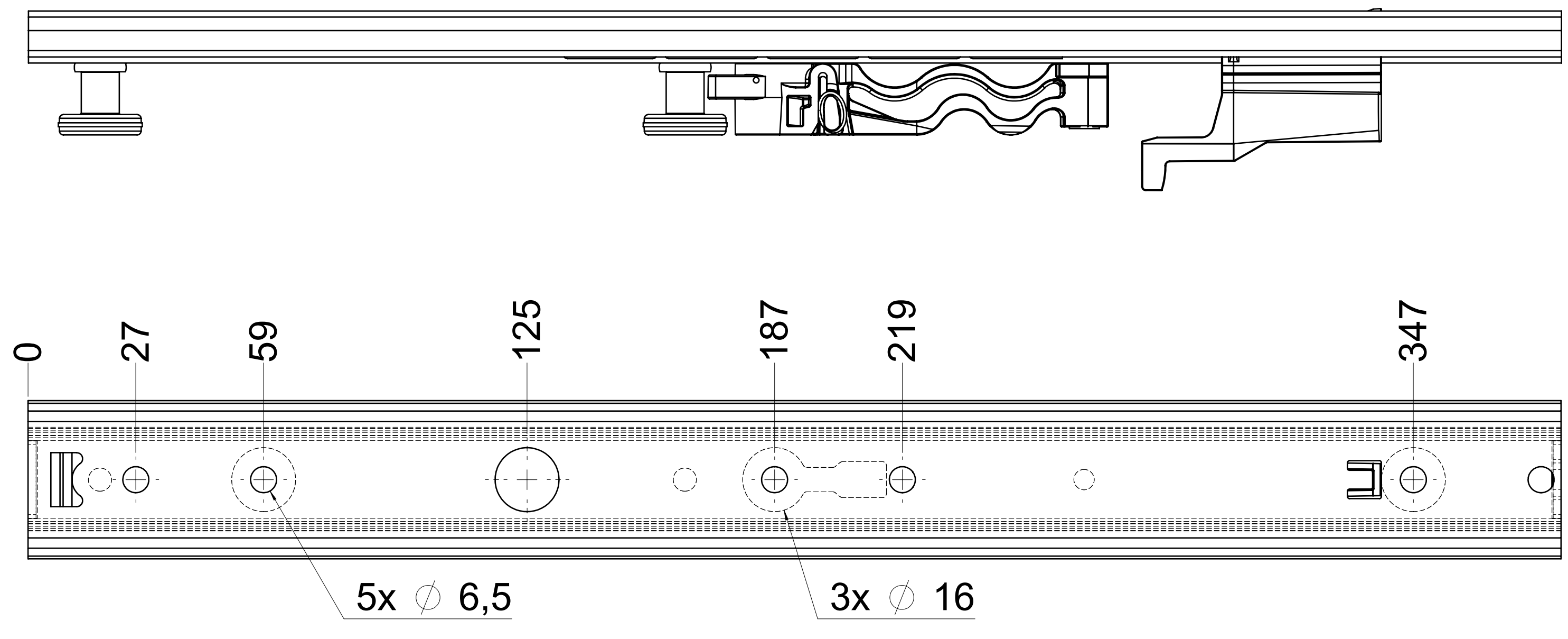
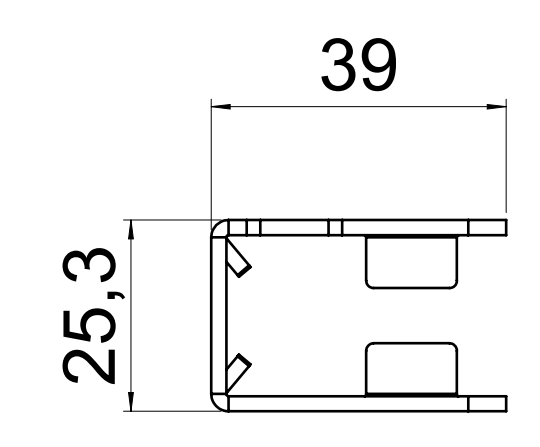
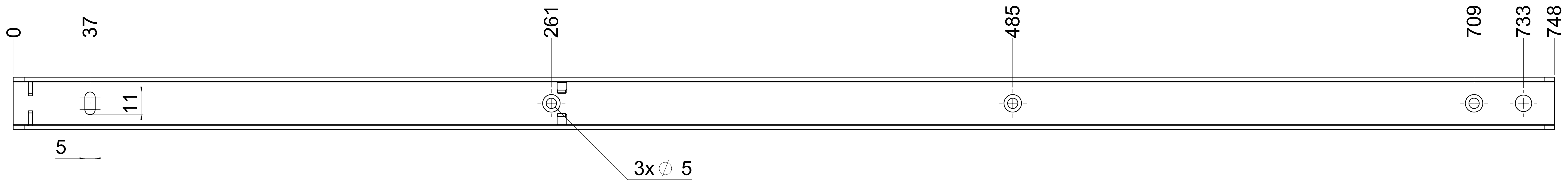


dimensions without coating / maximum coating allowed 0.1mm

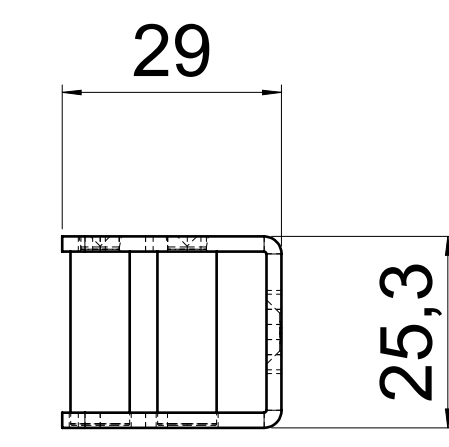
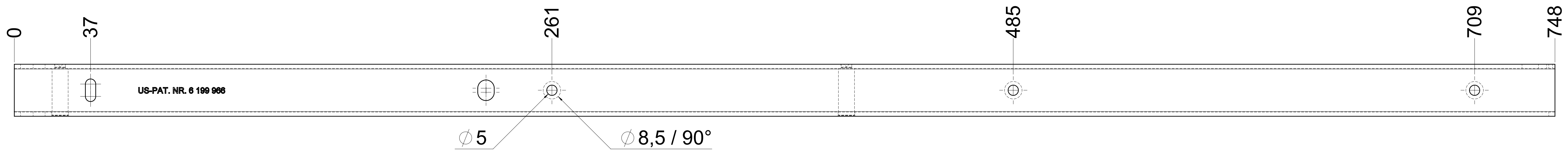
top guide cabinet profile



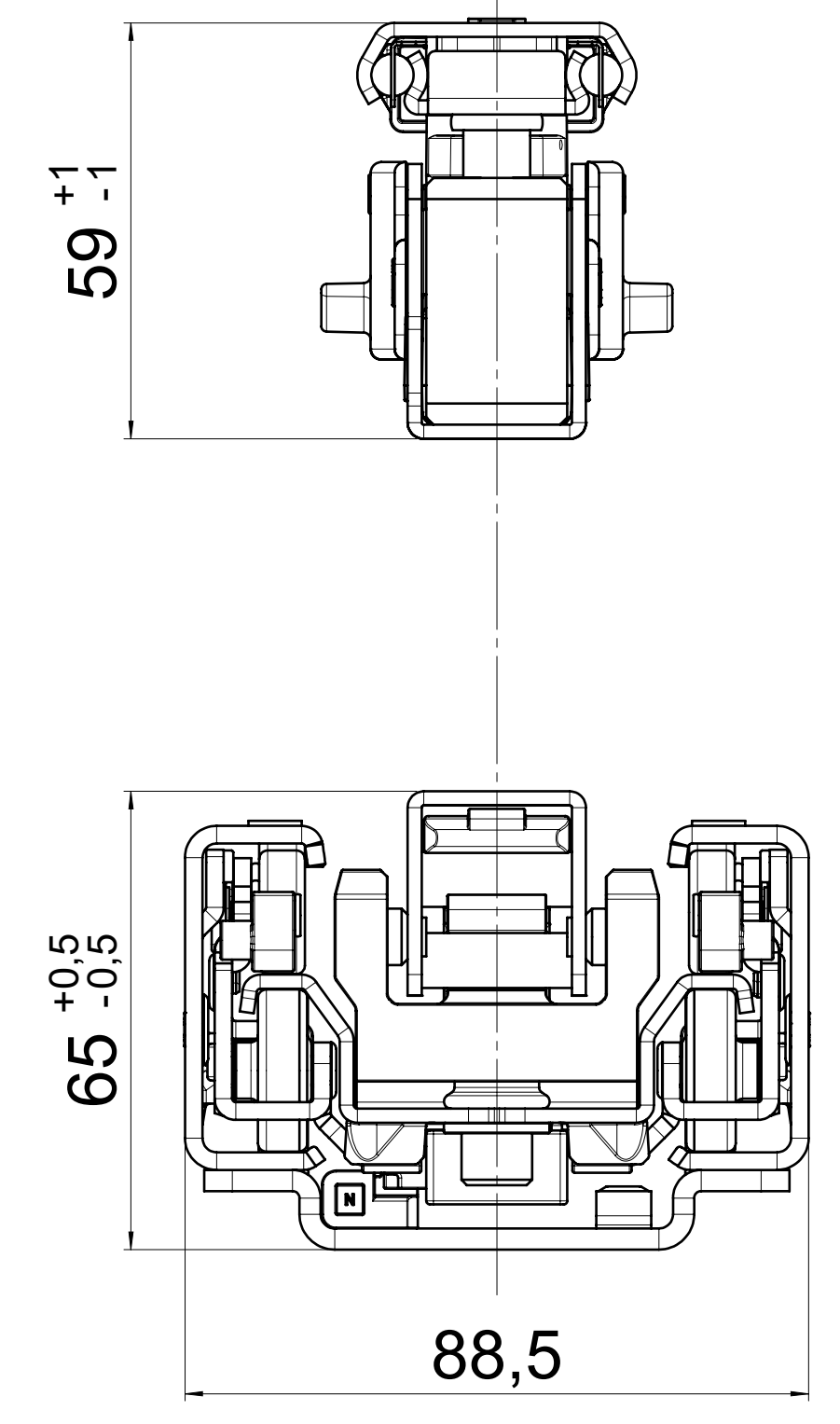
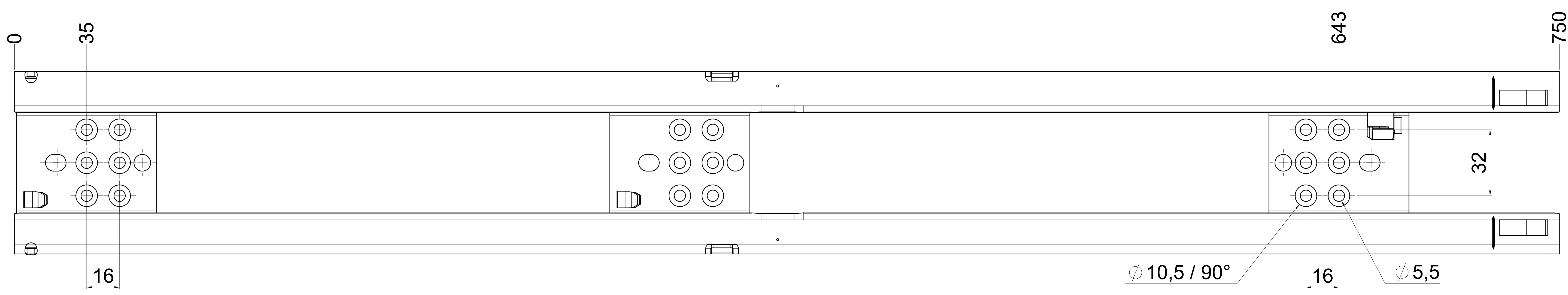
top guide drawer profile



bottom guide drawer profile



bottom guide cabinet profile



final approval

customer name: _____

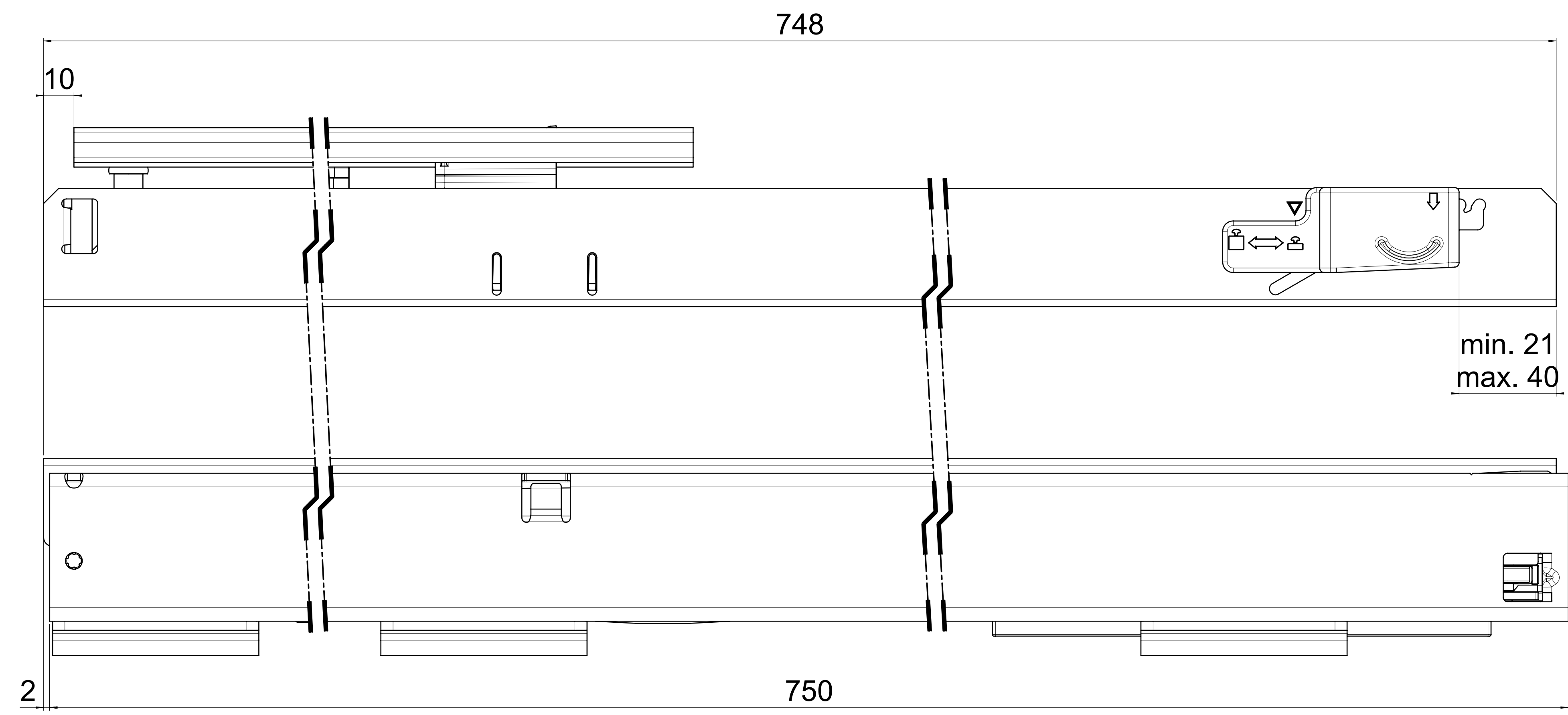
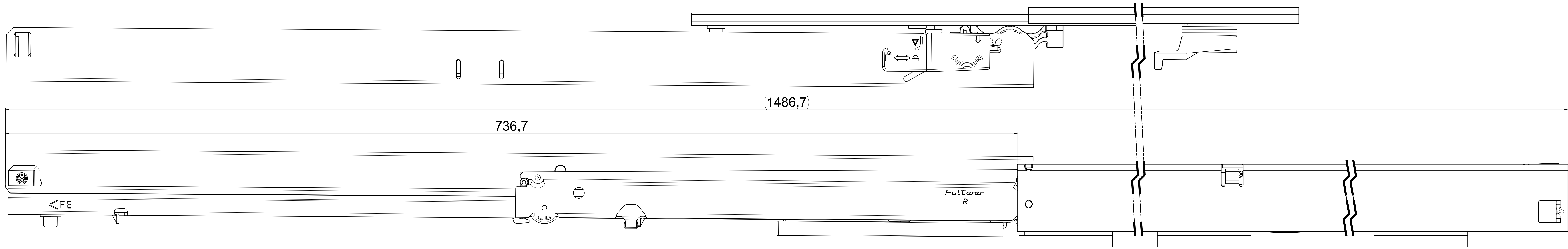
signed by: _____

date: _____

<p>all dimensions in mm</p> <p>This drawing remains our property and may not be multiplied neither be disclosed to third parties (§§1,3 and 5 from the copyright Act (UrhG)). covered according to DIN ISO 15018</p>		<p>DIN ISO 128-30 missing dimensions see 3D = theor. intersection</p>	
scale:	1:1	surface:	steel (technical requirements Filterer)
drawn:	07-12-2022	name:	GB
proven:	00-00-0000	description:	FR 775A / 75 EN (mm) progressive-action full-extension drawerslide / bottom mount
<p>Filterer</p> <p>Filterer AG & Co KG A-6800 Lustenau / Austria CH-8430 St. Margrethen</p>		<p>drawing number: 775A.750-GA.0000 replaces version 03/16</p>	
changes	date	na.	incl. in delivery

dimensions without coating / maximum coating allowed 0.1mm

X



min. 21
max. 40

⚠ = check dimension , next free check number ⚠

final approval

customer name: _____

signed by: _____

date: _____

all dimensions in mm		DIN ISO 128-30 missing dimensions see 3D = theor. intersection	
This drawing remains our property and may not be multiplied neither be disclosed to third parties (§§1,3 and 5 from the copyright Act (UrhG)) covered according to DIN ISO 16016			
scale:	1:1	surface:	steel (technical requirements Filterer)
drawn:	07-12-2022	name:	GB
proven:	00-00-0000	description:	FR 775A / 75 EN (mm) progressive-action full-extension drawerslide / bottom mount
Filterer AG & Co KG A-6800 Lustenau / Austria		drawing number:	775A.750-GA.0000
Filterer AG CH-8430 St. Margrethen		replaces version:	04/16
changes:	date:	na:	incl. date: