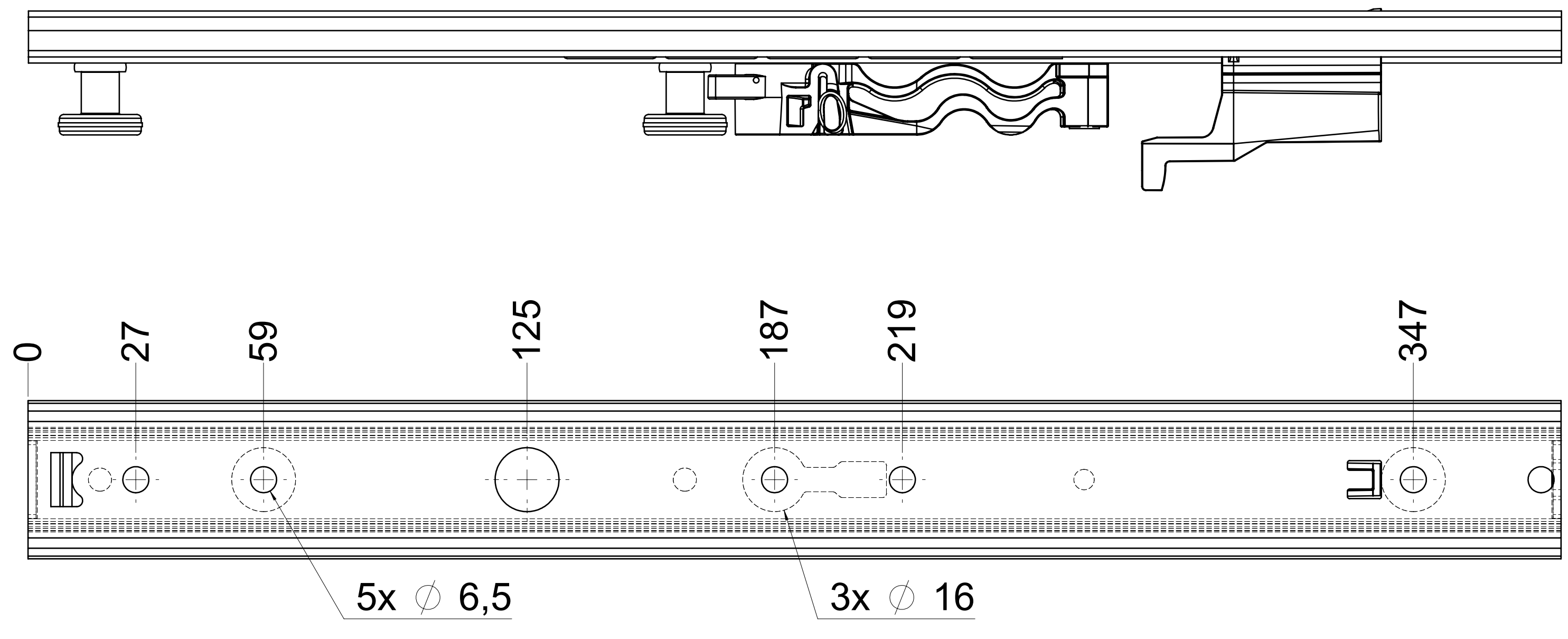
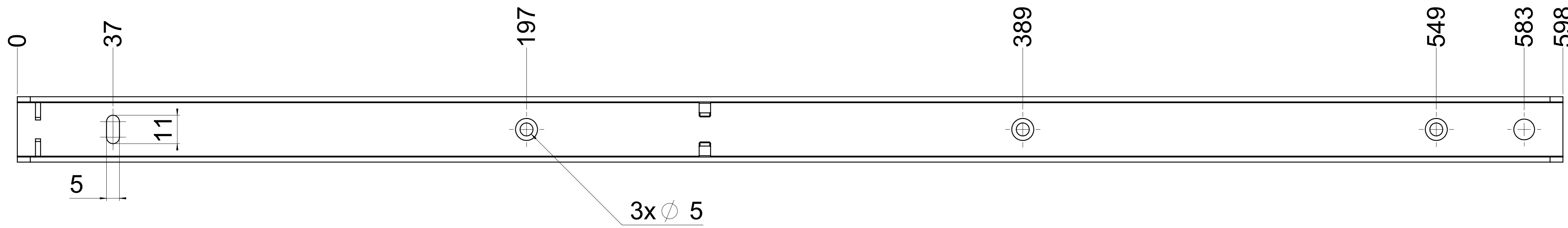


dimensions without coating / maximum coating allowed 0.1mm

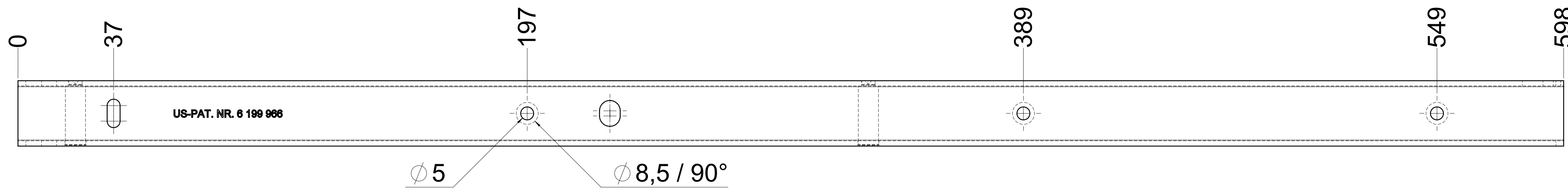
top guide cabinet profile



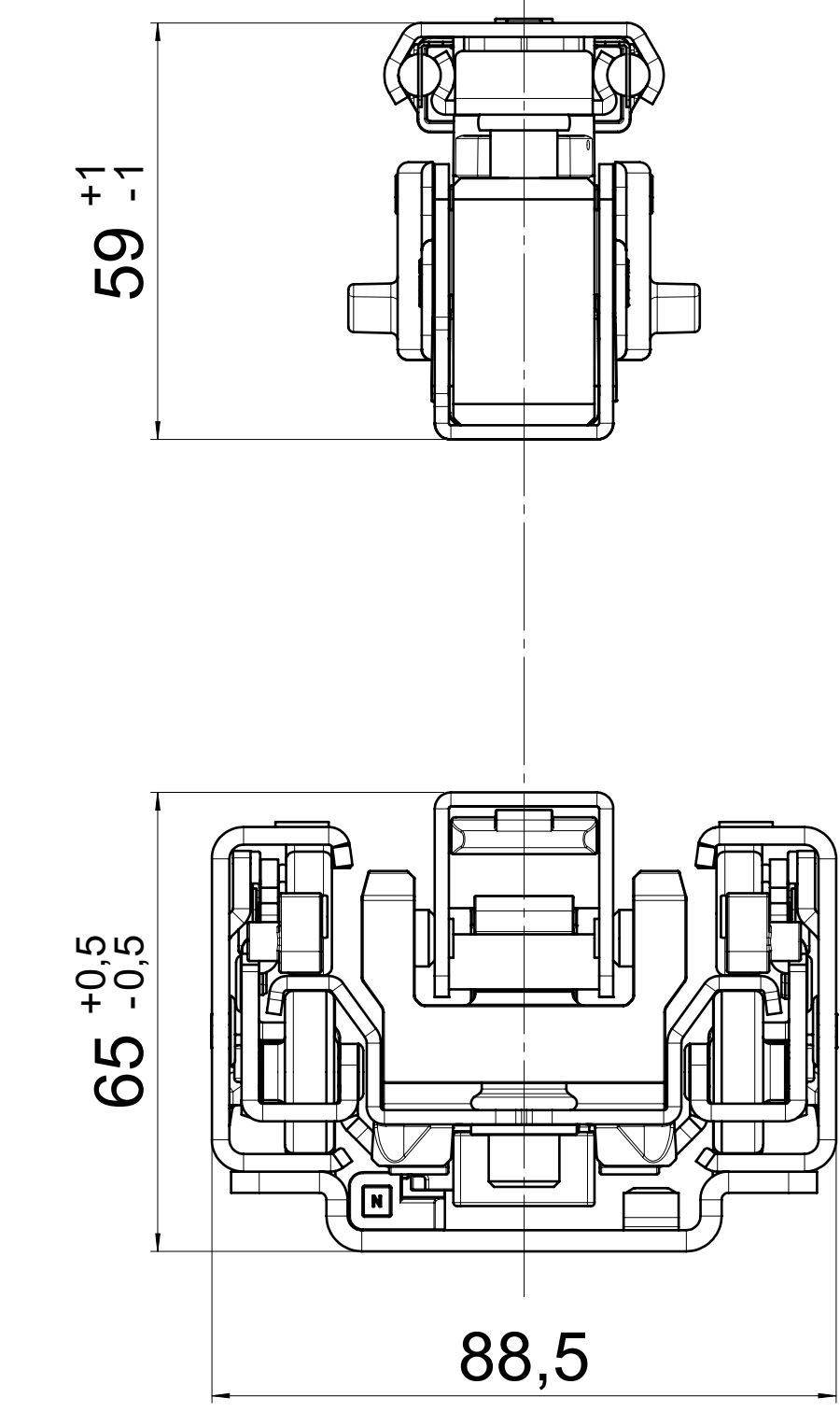
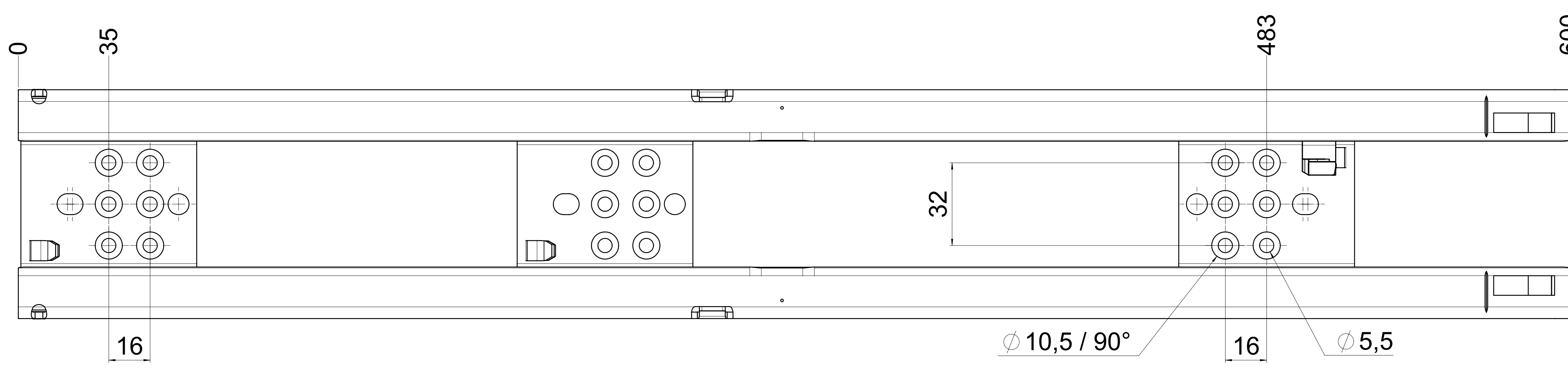
top guide drawer profile



bottom guide drawer profile



bottom guide cabinet profile



final approval

customer name:

signed by:

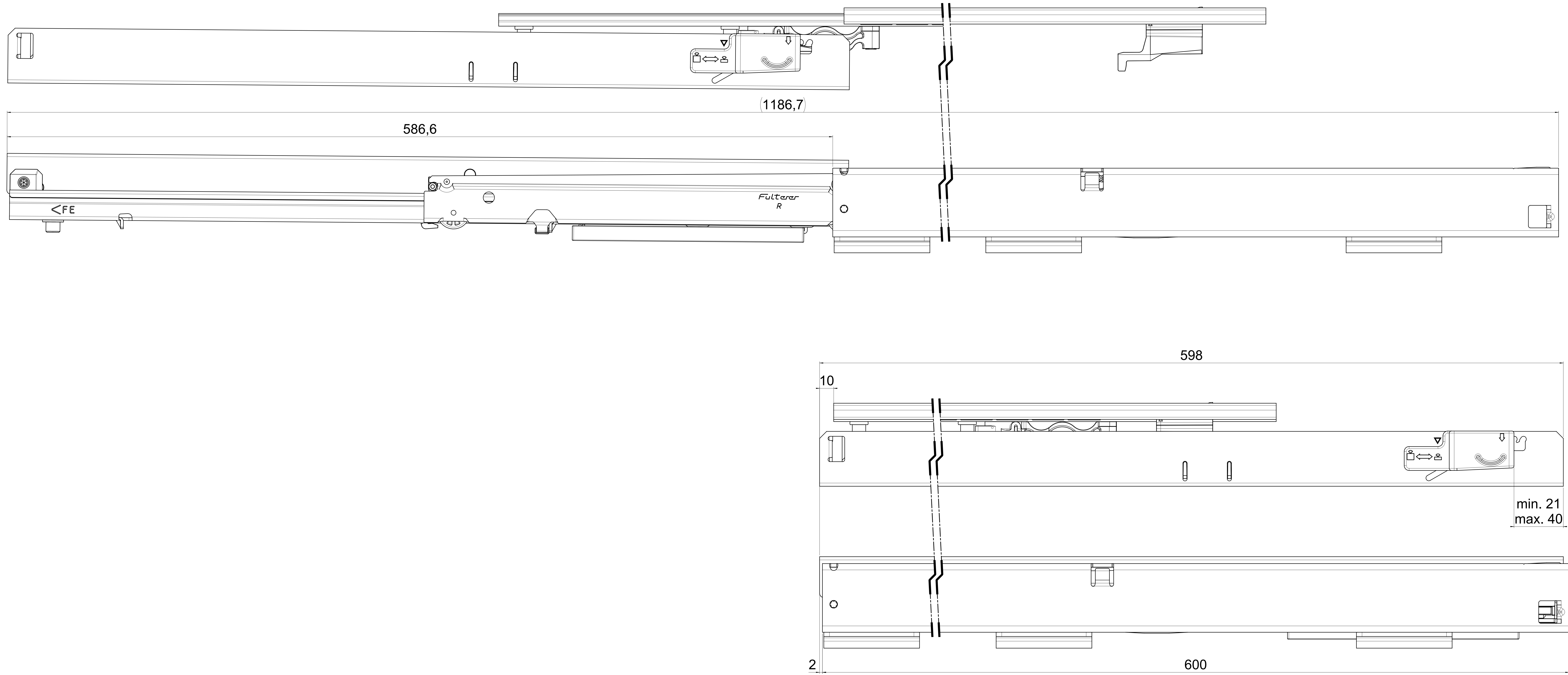
date:

<p>all dimensions in mm</p> <p>This drawing remains our property and may not be multiplied, neither be disclosed to third parties (§§1,3 and 5 from the copyright Act (UrhG)). covered according to DIN ISO 16016</p>		<p>DIN ISO 128-30 missing dimensions see 3D = theor. intersection</p>	
scale:	1:1	surface:	steel
material:	semi finished parts	material:	steel
description:	FR 775A / 60 - EN (mm)	description:	progressive-action full-extension drawerslide / bottom mount
drawing number:	775A.600-GA.0000	drawing number:	775A.600-GA.0000
replaces version:		replaces version:	
changes:	date:	na:	na:

= check dimension, next free check number

dimensions without coating / maximum coating allowed 0.1mm

X



⚠ = check dimension , next free check number

final approval

customer name: _____

signed by: _____

date: _____

<p>all dimensions in mm</p> <p>This drawing remains our property and may not be disclosed to third parties (§§1,3 and 5 from the copyright Act (UrhG)) covered according to DIN ISO 15016</p>		<p>scale: 1:1</p> <p>surface: steel (technical requirements Filterer)</p> <p>material: semi finished parts</p>	<p>DIN ISO 128-30 missing dimensions see 3D = theor. intersection</p> <p>AO</p>
<p>drawn: 07-12-2022</p> <p>proven: 09-09-2022</p>	<p>date: 07-12-2022</p> <p>name: GB</p>	<p>description: FR 775A / 60 EN (mm) progressive-action full-extension drawerslide / bottom mount</p>	<p>drawing number: 775A.600-GA.0000</p> <p>replaces version date:</p>
<p>Filterer AG & Co KG A-6890 Lustenau / Austria CH-8430 St. Margrethen</p>		<p>Friday, 01. Januar 2023 15:32:54</p>	