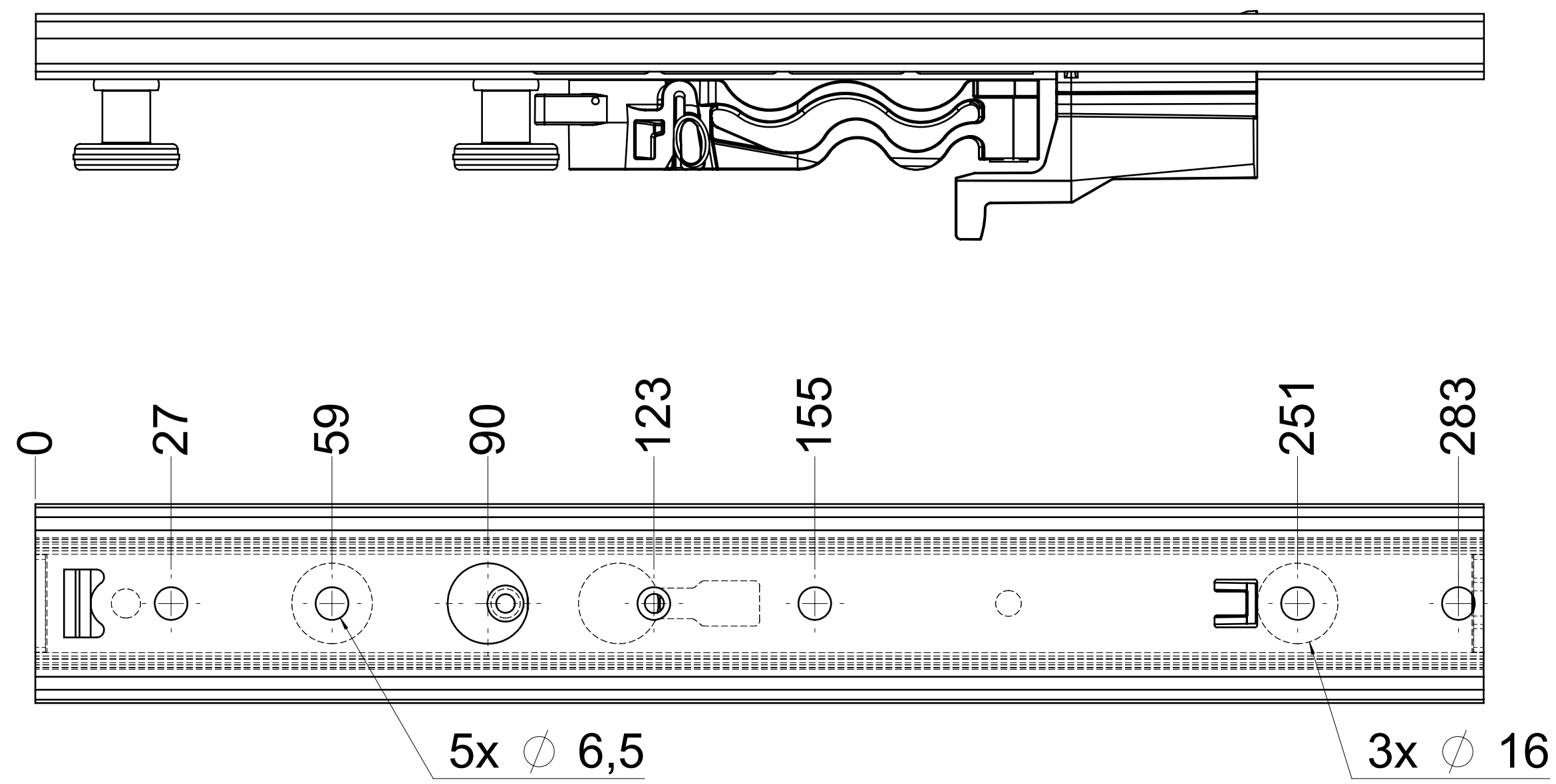
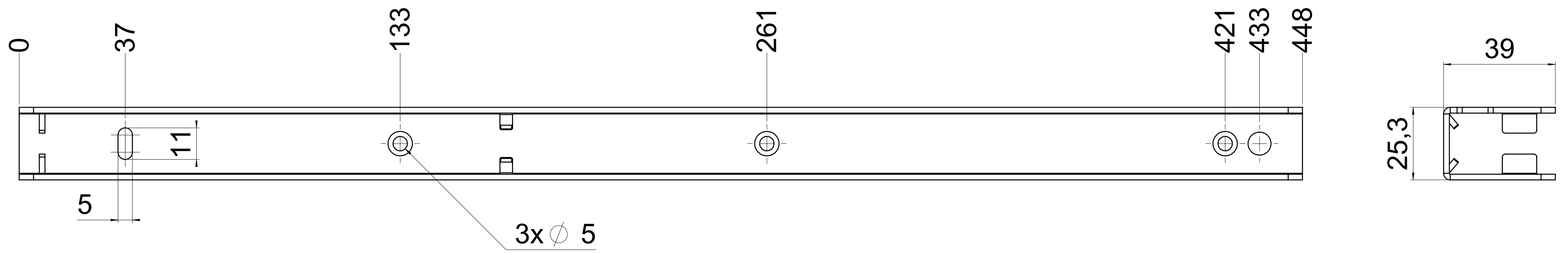


dimensions without coating / maximum coating allowed 0.1mm

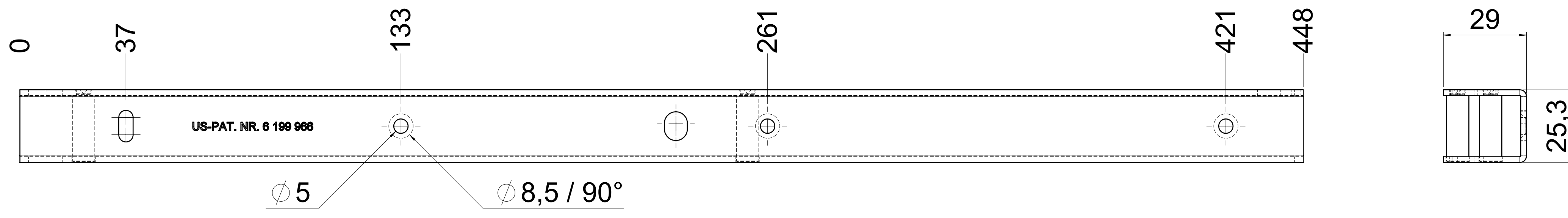
top guide cabinet profile



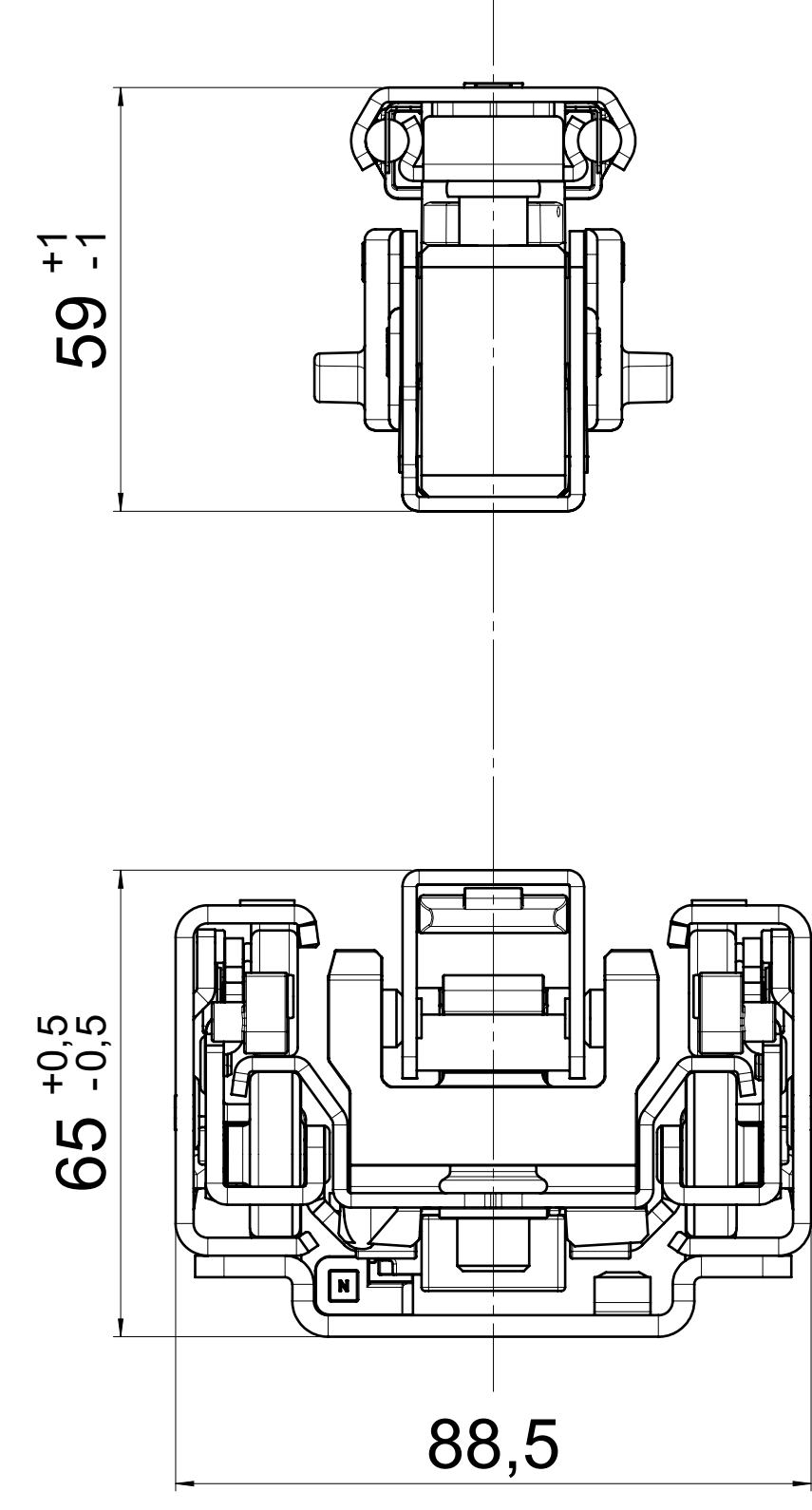
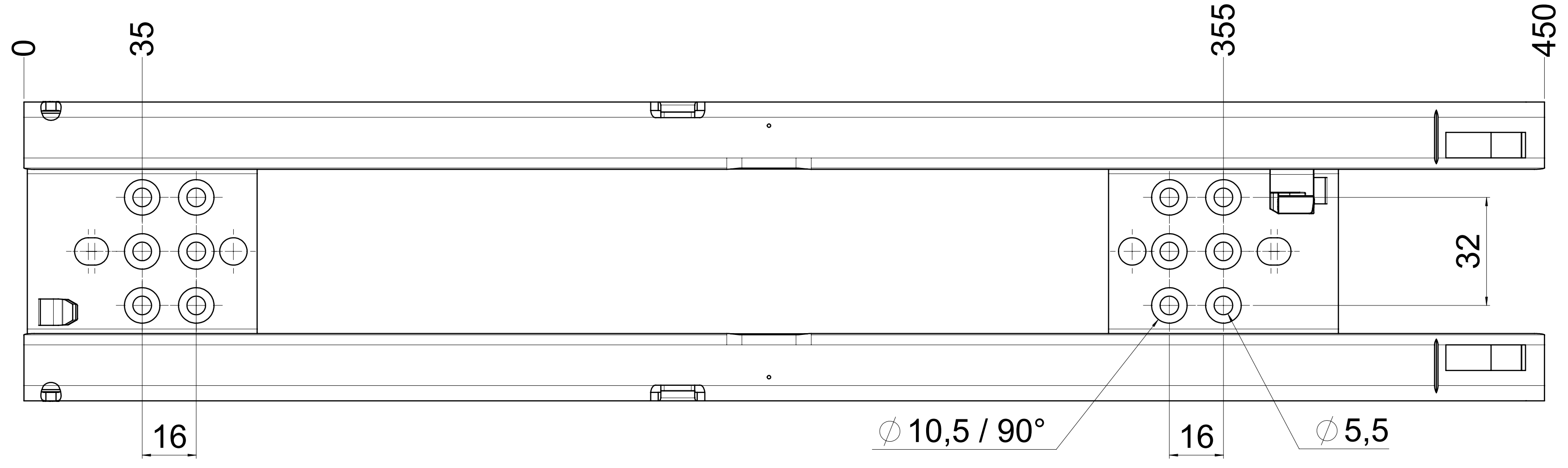
top guide drawer profile



bottom guide drawer profile



bottom guide cabinet profile



**final approval**

customer name:

signed by:

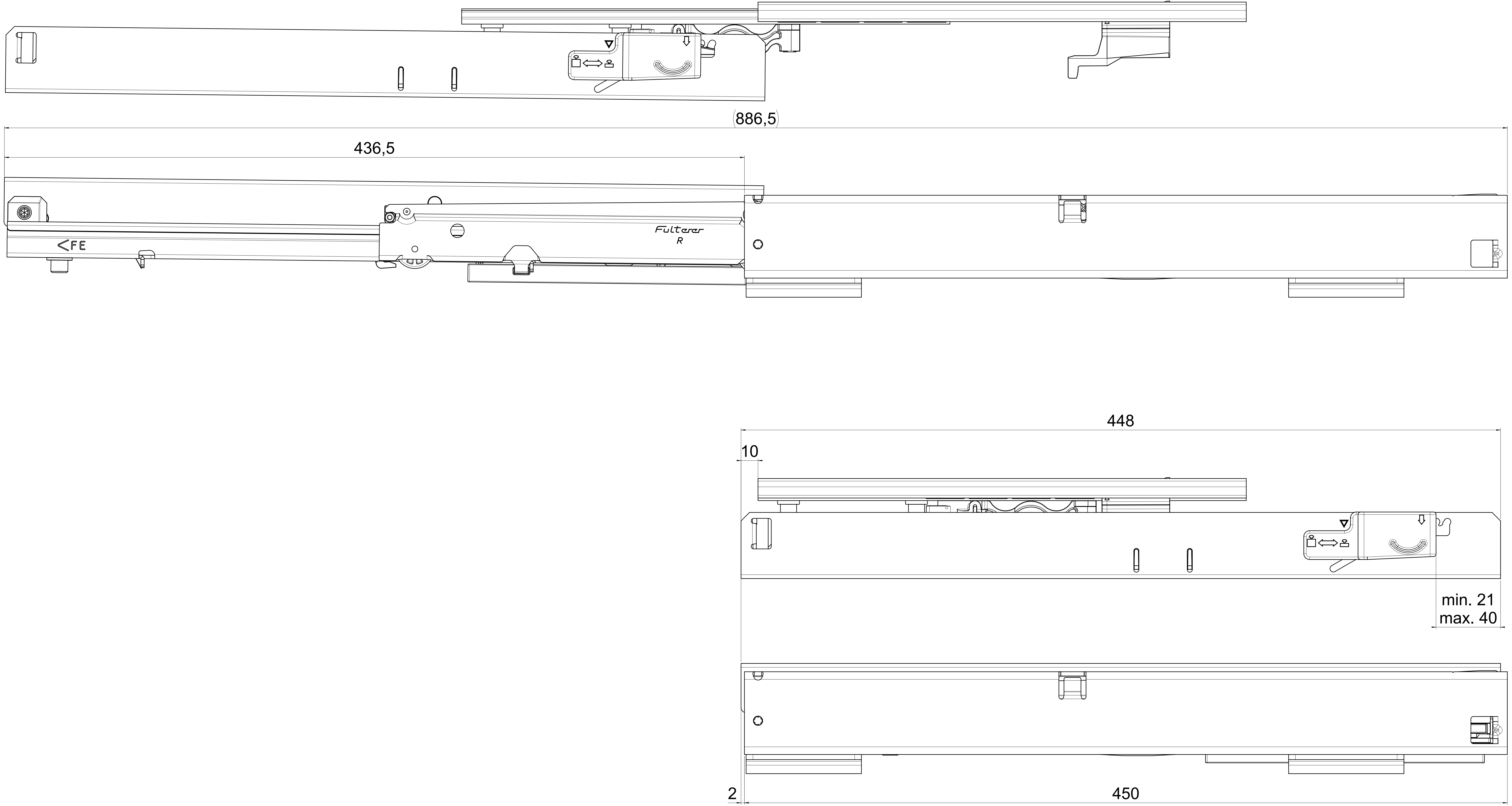
date:

<p><b>all dimensions in mm</b></p> <p>This drawing remains our property and may not be multiplied neither be disclosed to third parties (§§1,3 and 5 from the copyright Act (UrhG)). covered according to DIN ISO 16016</p>		<p>DIN ISO 128-30 missing dimensions see 3D = theor. intersection</p>	
scale:	1:1	surface:	steel (technical requirements Filterer)
material:	semi finished parts	description:	FR 775A / 45 EN (mm) progressive-action full-extension drawerslide / bottom mount
drawn:	07-12-2022	name:	GB
proven:	00-00-0000	no:	00
<p><b>Filterer</b></p> <p>Filterer AG &amp; Co KG A-6890 Lustenau / Austria</p>		<p>drawing number: <b>775A.450-GA.0000</b> replaces version GB16:</p>	
changes:	date:	na:	na:

☒ = check dimension, next free check number

dimensions without coating / maximum coating allowed 0.1mm

X



**final approval**  
 customer name:  
 signed by:  
 date:

<b>all dimensions in mm</b>		DIN ISO 128-30 missing dimensions see 3D = theor. intersection	
This drawing remains our property and may not be multiplied neither be disclosed to third parties (§§1,3 and 5 from the copyright Act (UrhG)) covered according to DIN ISO 15015		scale:	surface:
1:1	steel	material, semi finished parts: <b>AO</b>	
drawn 07-12-2022	GB	description:	
proven 00-00-0000	00	FR 775A / 45 EN (mm) progressive-action full-extension drawerslide / bottom mount	
<b>Filterer</b>		drawing number:	
Filterer AG & Co KG A-6800 Lustenau / Austria		<b>775A.450-GA.0000</b>	
Filterer AG CH-8430 St. Margrethen		replaces version 636c	
changes	date	na.	