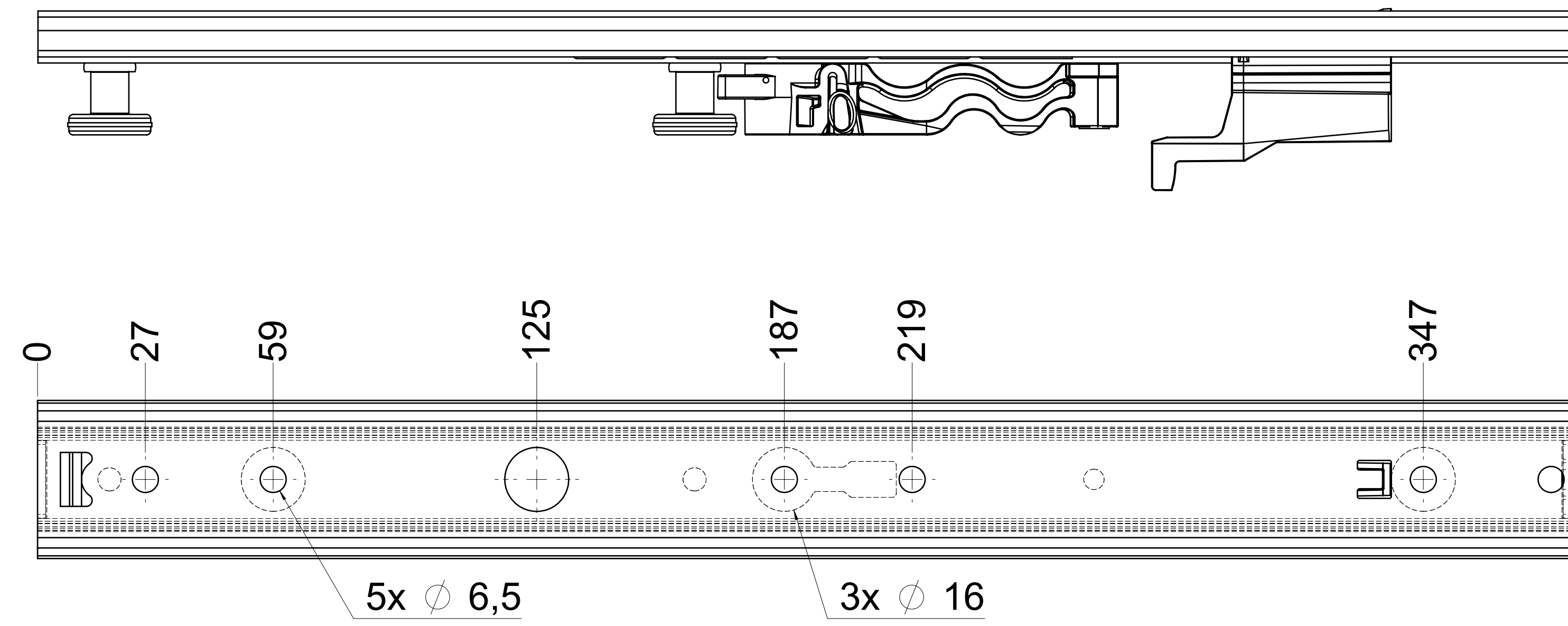


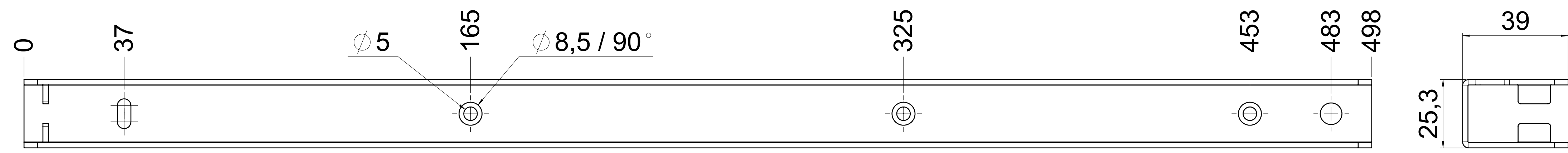
dimensions without coating / maximum coating allowed 0.1mm

X

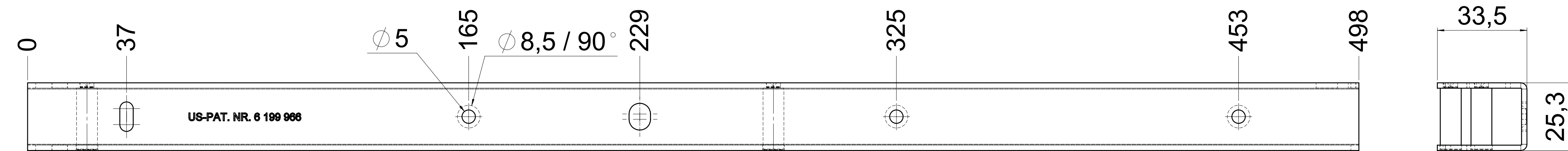
top guide cabinet profile



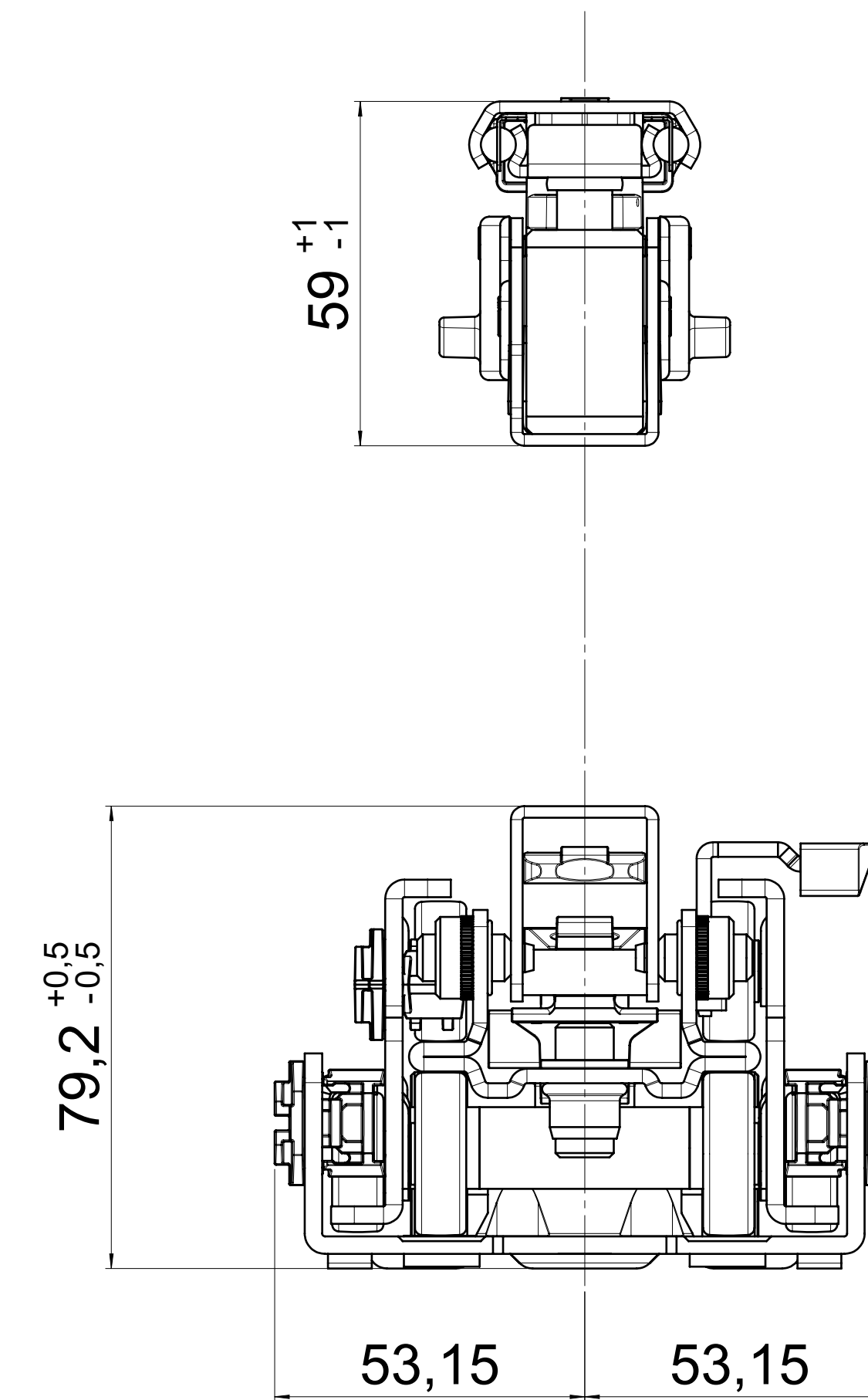
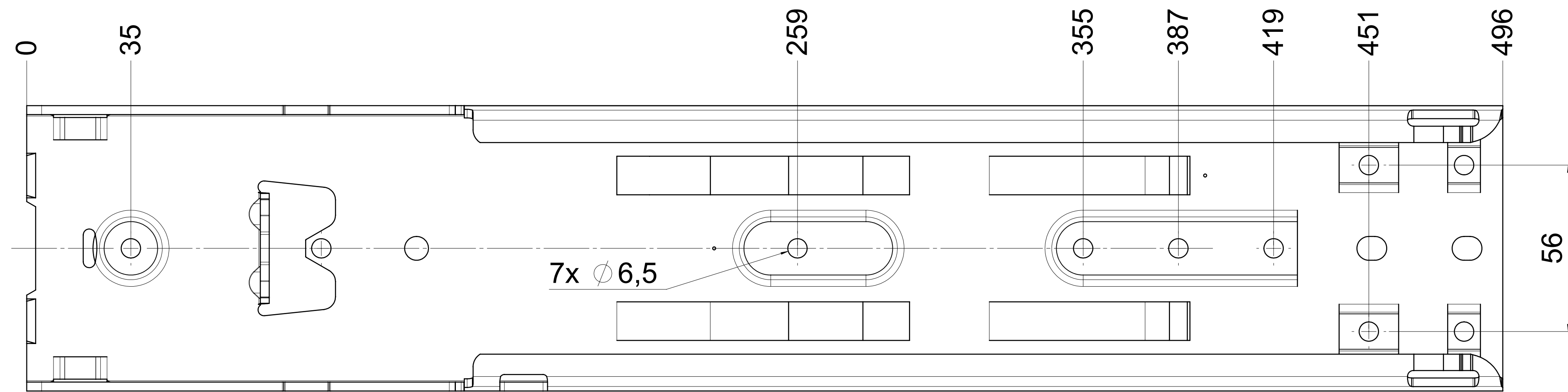
top guide drawer profile



bottom guide drawer profile



bottom guide cabinet profile



final approval

customer name:

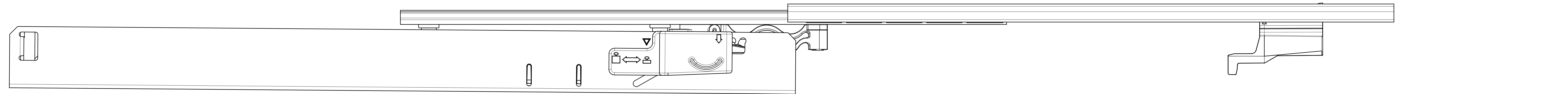
signed by:

date:

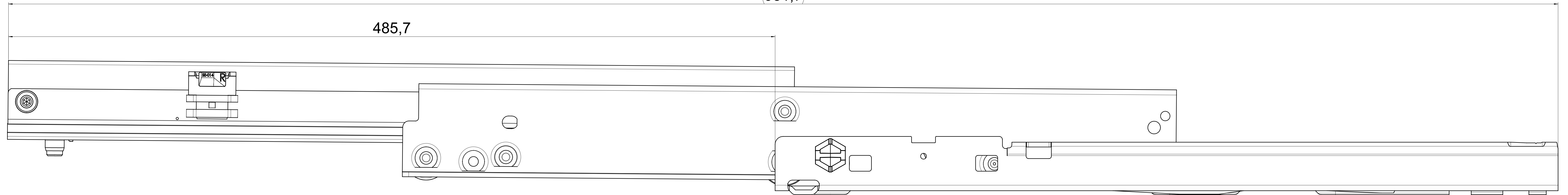
<p>all dimensions in mm</p> <p>This drawing remains our property and may not be multiplied neither be disclosed to third parties (§§1,3 and 5 from the copyright Act (UrhG)). covered according to DIN ISO 16015</p>		<p>DIN ISO 128-30 missing dimensions see 3D = theor. intersection</p>	
scale:	1:1	surface:	steel (technical requirements Filterer)
material:	semi finished parts	description:	FR 771A / 50 - EN (mm) progressive-action full-extension drawerslide / bottom mount
drawn:	07-12-2022 GB	drawing number:	771A.500-GA.0000
proven:	00-00-0000 00	replaces version:	0000
<p>Filterer</p> <p>Filterer AG & Co KG A-6800 Lustenau / Austria CH-8430 St. Margrethen</p>		<p>includes version 03/16</p>	

dimensions without coating / maximum coating allowed 0.1mm

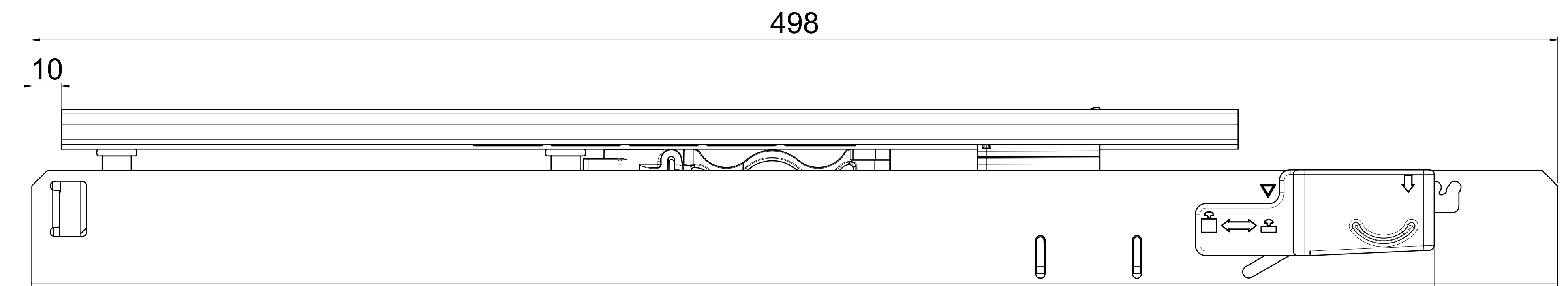
X



981,7



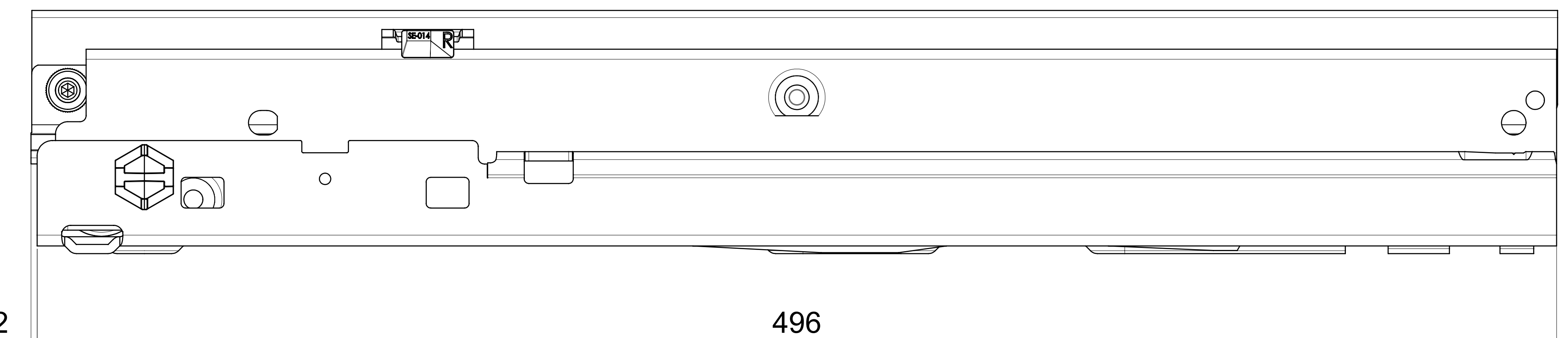
485,7



498

10

min. 21
max. 40



496

2

final approval

customer name: _____

signed by: _____

date: _____

all dimensions in mm		DIN ISO 128-30 missing dimensions see 3D = theor. intersection	
This drawing remains our property and may not be disclosed to third parties (§§1,3 and 5 from the copyright Act (UrhG)) covered according to DIN ISO 16015			
scale:	1:1	surface:	steel (technical requirements Filterer)
drawn:	07-12-2022	name:	GB
proven:	00-00-0000	description:	FR 771A / 50 - EN (mm) progressive-action full-extension drawerslide / bottom mount
Filterer AG & Co KG A-6800 Lustenau / Austria		drawing number: 771A.500-GA.0000	
C4-8430 St. Margrethen		replaces version 646c	
changes	date	na.	incl. date