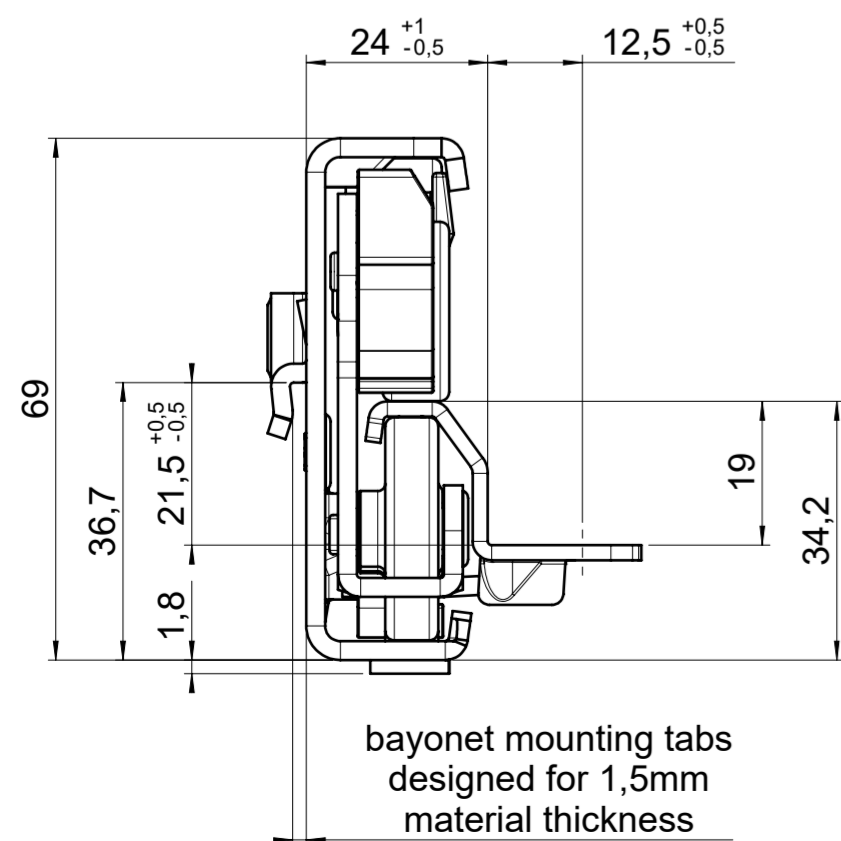
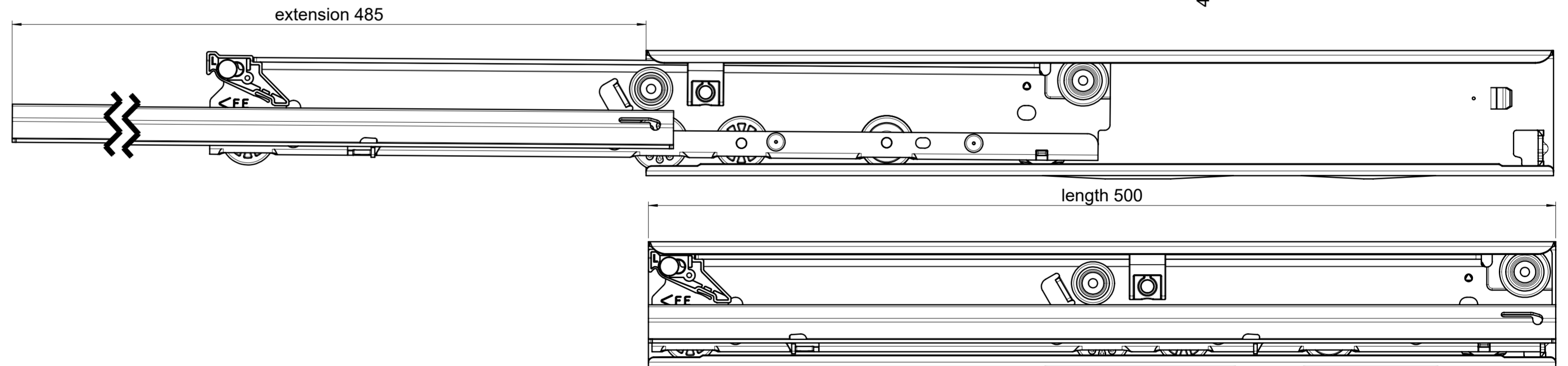
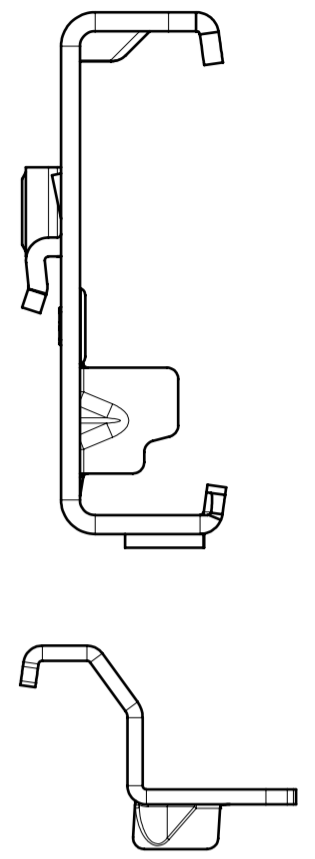
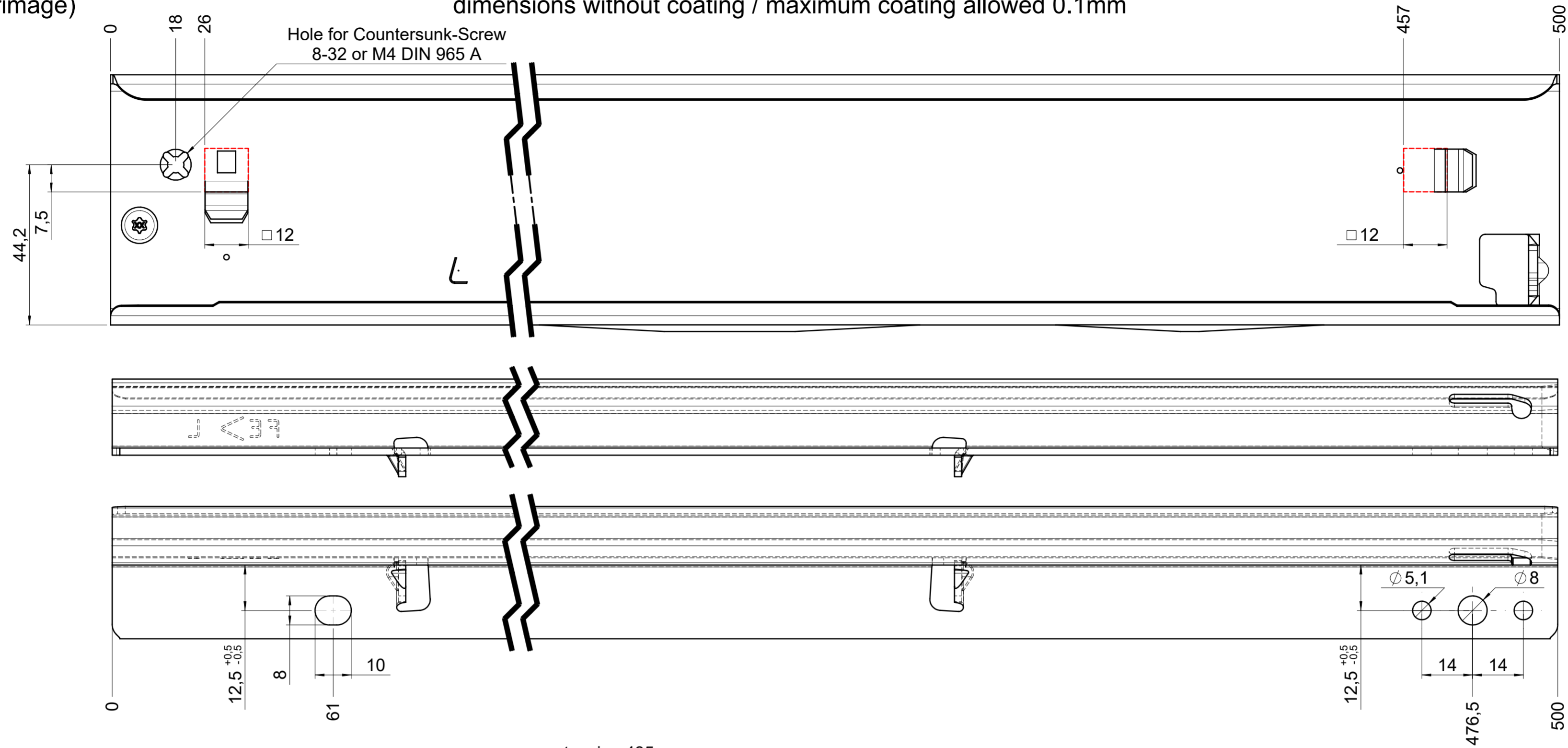


7180.500-GA.U015

drawn left (right mirrorimage)

dimensions without coating / maximum coating allowed 0.1mm



final approval

customer name:

signed by:

date:

all dimensions in mm

DIN ISO 128-30
missing dimensions see 3D
= theor. intersection

This drawing remains our property and may not be multiplied neither be disclosed to third parties (§§1,3 and 5 from the copyright Act (UrhG)) covered according to DIN ISO 16016				scale: 1:1	surface:	material, semi finished parts:	A2
(k)				date	name	steel	
(l)				drawn 12-12-2022	BM	(technical requirements Fulterer)	
(m)				proven 00-00-0000	00		
(n)				Fulterer		description: FR 7180 / 50 EN (mm) progressive-action full-extension drawerslide / bottom mount	drawing number: 7180.500-GA.U015
(o)							
(p)				Fulterer AG & Co KG A-6890 Lustenau / Austria			
(q)				Fulterer AG CH-9430 St. Margrethen			replaces version date:
(r)				changes	date	na.	