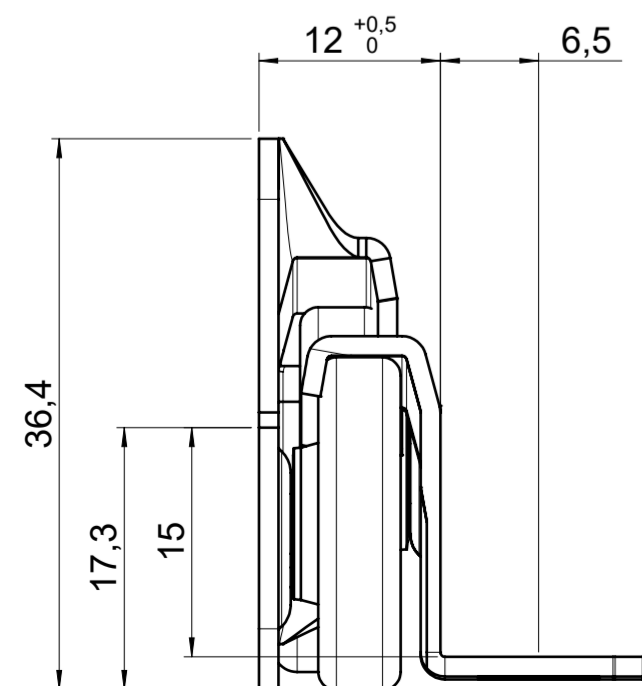
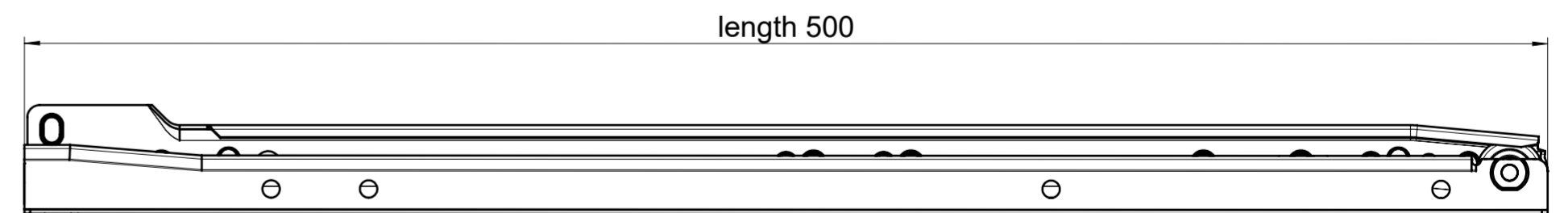
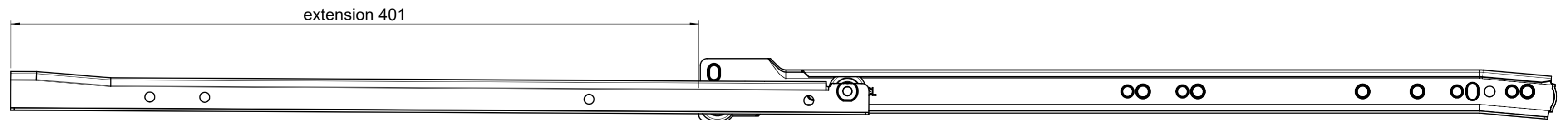
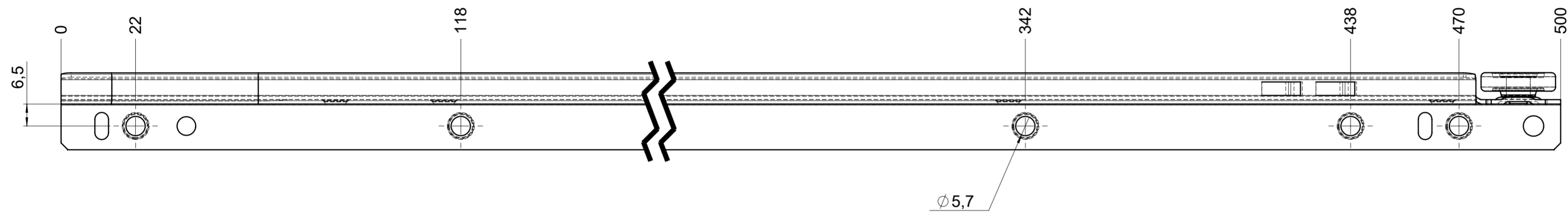
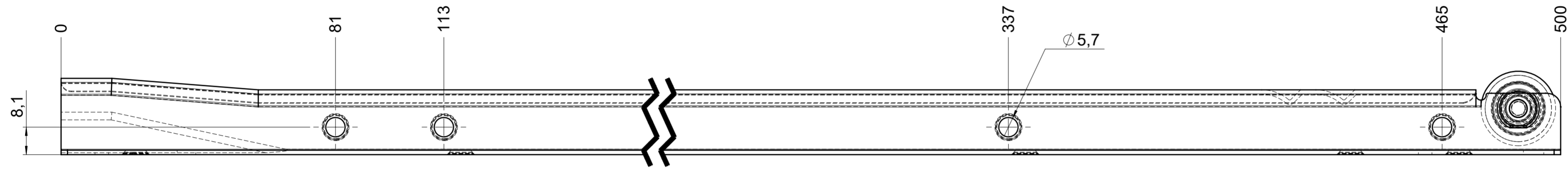
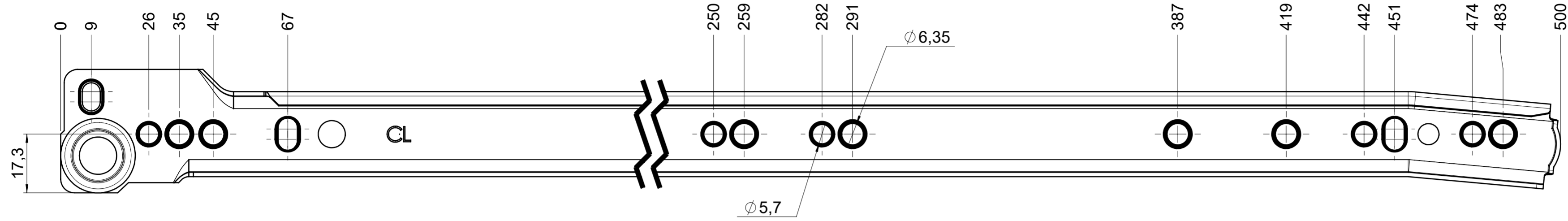


drawn left

dimension without coating / maximum coating allowed 0.1mm



final approval

customer name:

signed by:

date:

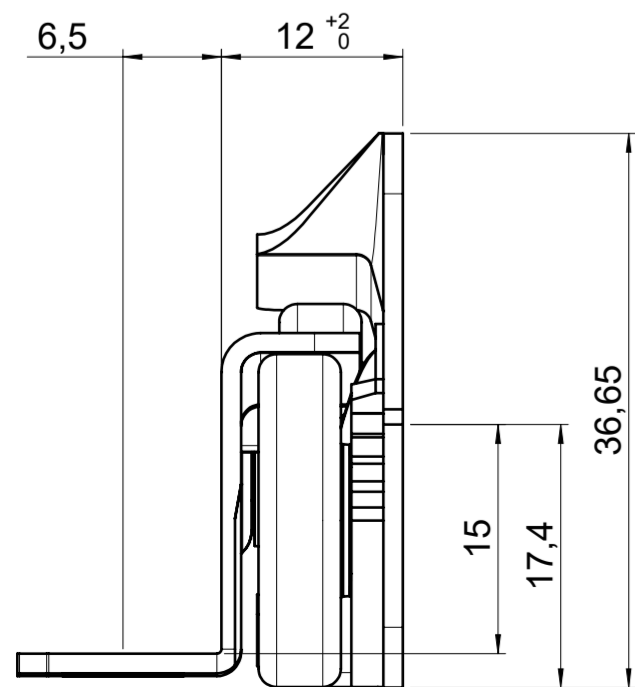
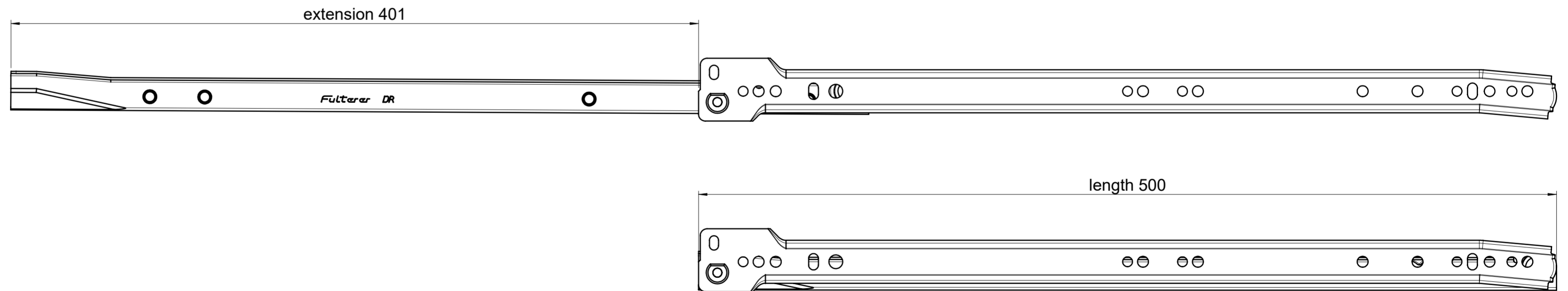
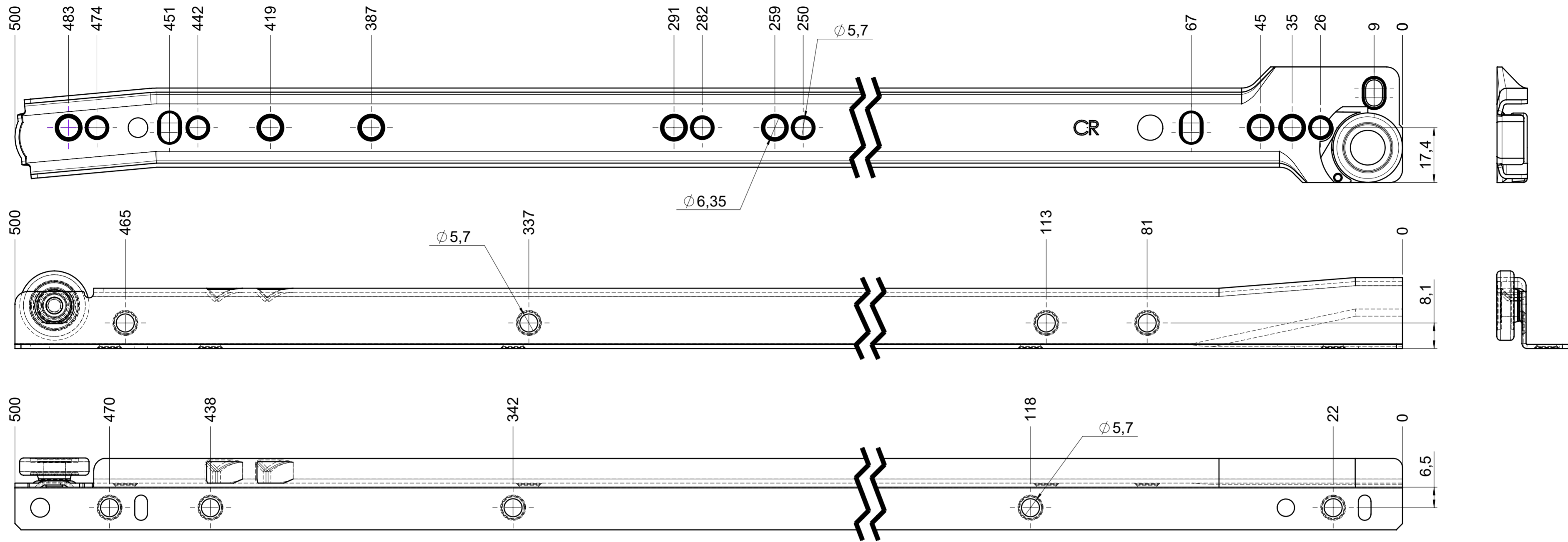
all dimensions in mm

DIN ISO 128-30
missing dimensions see 3D
 = theor. intersection

This drawing remains our property and may not be multiplied neither be disclosed to third parties (§§1,3 and 5 from the copyright Act (UrhG)) covered according to DIN ISO 16016				scale: 1:1	surface:	material, semi finished parts: STEEL (technical requirements Fulterer)	A2
(k)				date	name	description: FR 2021 / 50 EN (mm) regular-extension drawerside / bottom mount	drawing number: 2021.500-GA.0000.li replaces version date:
(l)			drawn 12-12-2022	pr			
(m)			proven 02-01-2023	pr			
(n)							
(o)							
(p)							
(q)							
(r)							
(s)							
(t)							
(u)							
(v)							
(w)							
(x)							
(y)							
(z)							
ind.	changes	date	na.				

drawn right

dimension without coating / maximum coating allowed 0.1mm



final approval

customer name:

signed by:

date:

all dimensions in mm

DIN ISO 128-30
missing dimensions see 3D
 = theor. intersection

This drawing remains our property and may not be multiplied neither be disclosed to third parties (§§1,3 and 5 from the copyright Act (UrhG)) covered according to DIN ISO 16016				scale: 1:1	surface:	material, semi finished parts: STEEL (technical requirements Fulterer)	A2
(k)				date	name	description: FR 2021 / 50 EN (mm) regular-extension drawerside / bottom mount	drawing number: 2021.500-GA.0000.re replaces version date:
(l)			drawn 12-12-2022	pr			
(m)			proven 02-01-2023	pr			
(n)					Fulterer AG & Co KG A-6890 Lustenau / Austria Fulterer AG CH-9430 St. Margrethen		
(o)							
(p)							
(q)							
(r)			changes	date	na.		