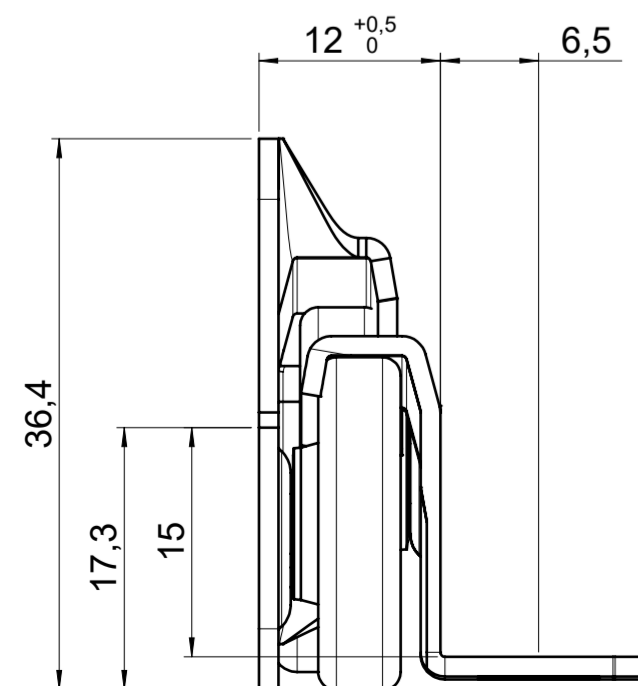
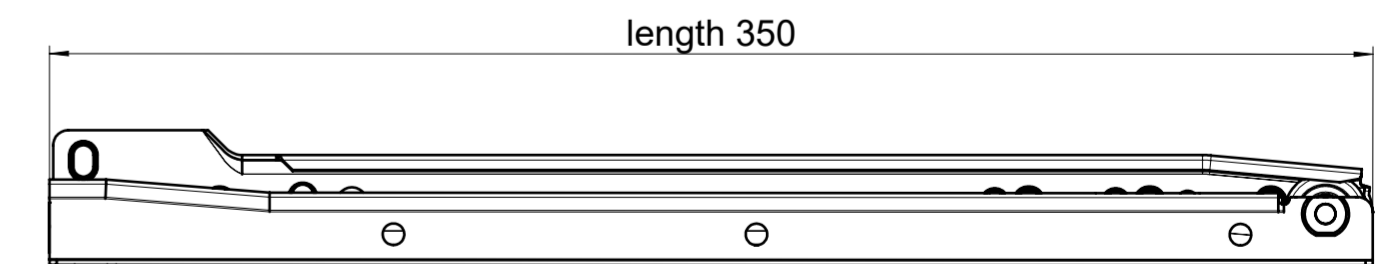
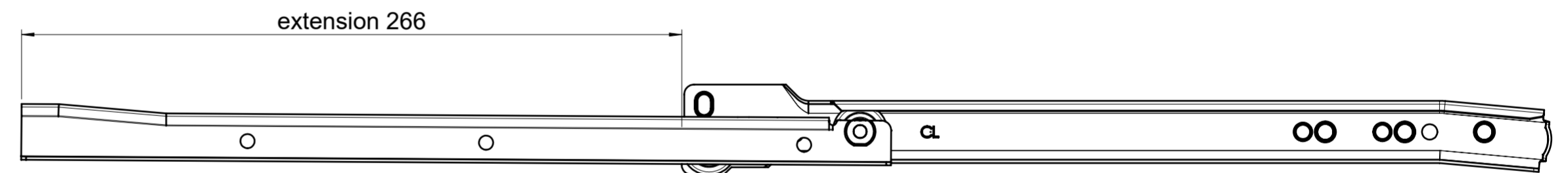
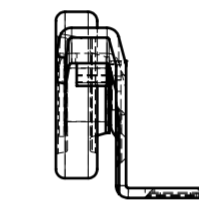
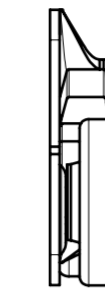
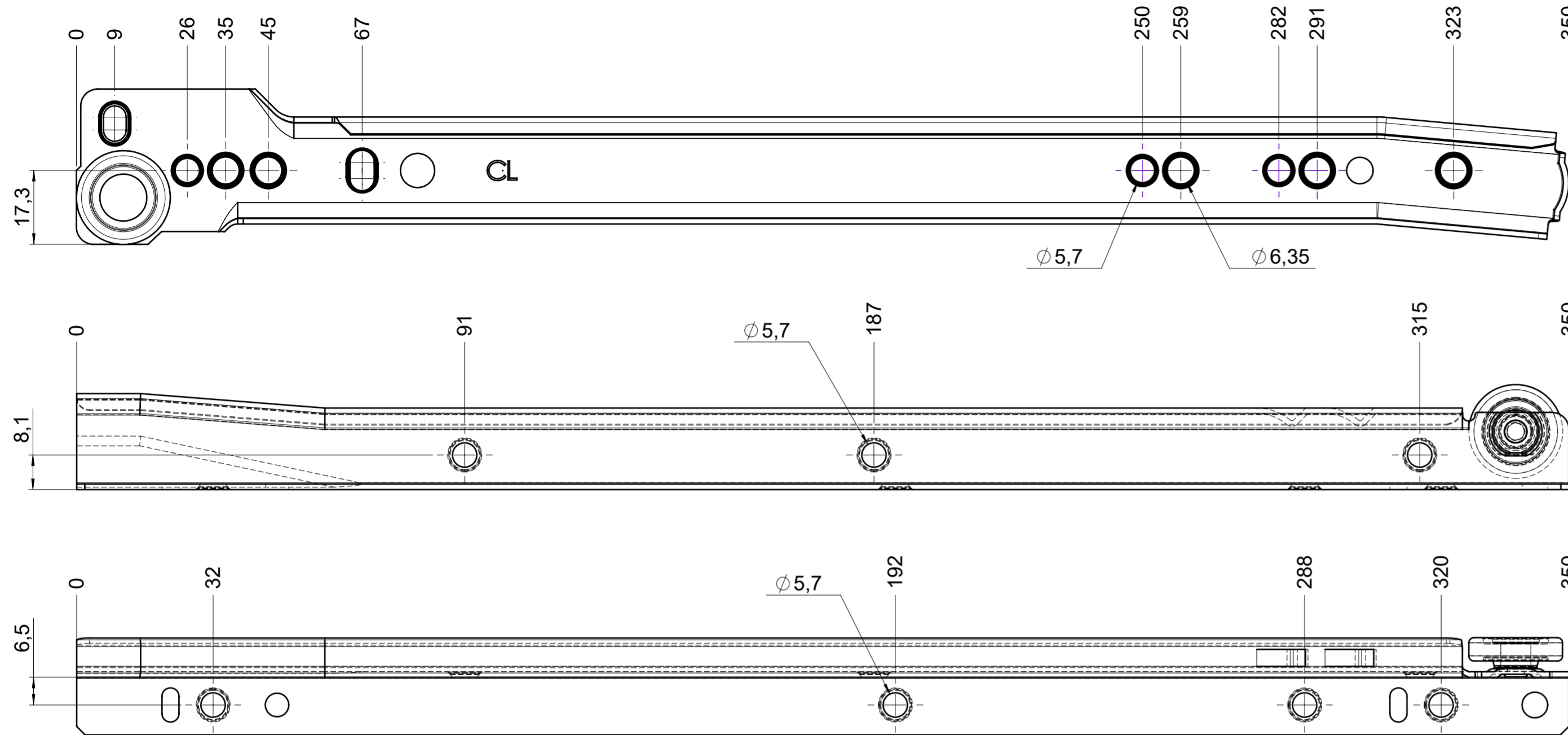


drawn left

dimensions without coating / maximum coating allowed 0.1mm



final approval

customer name:

signed by:

date:

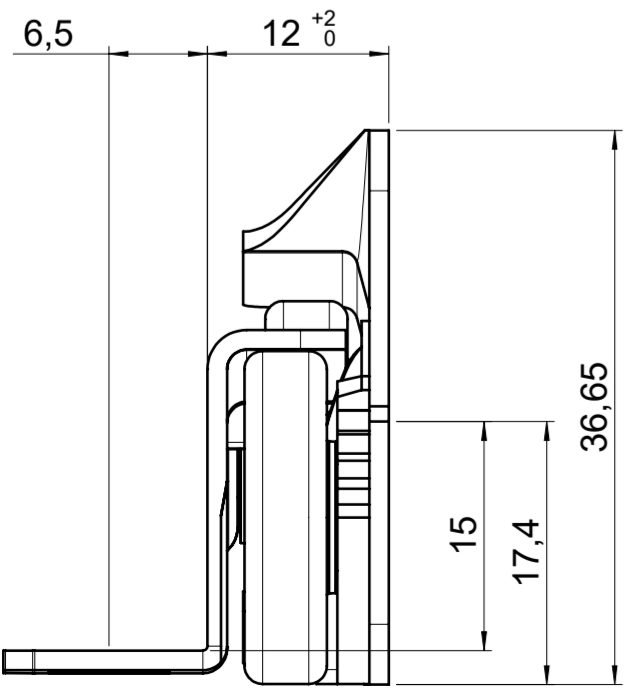
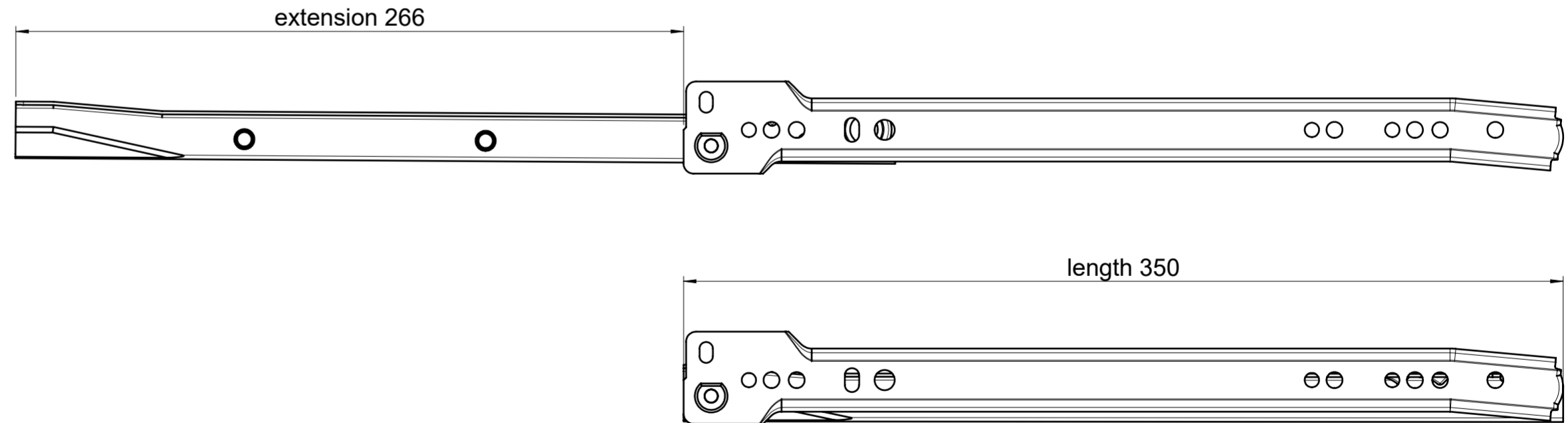
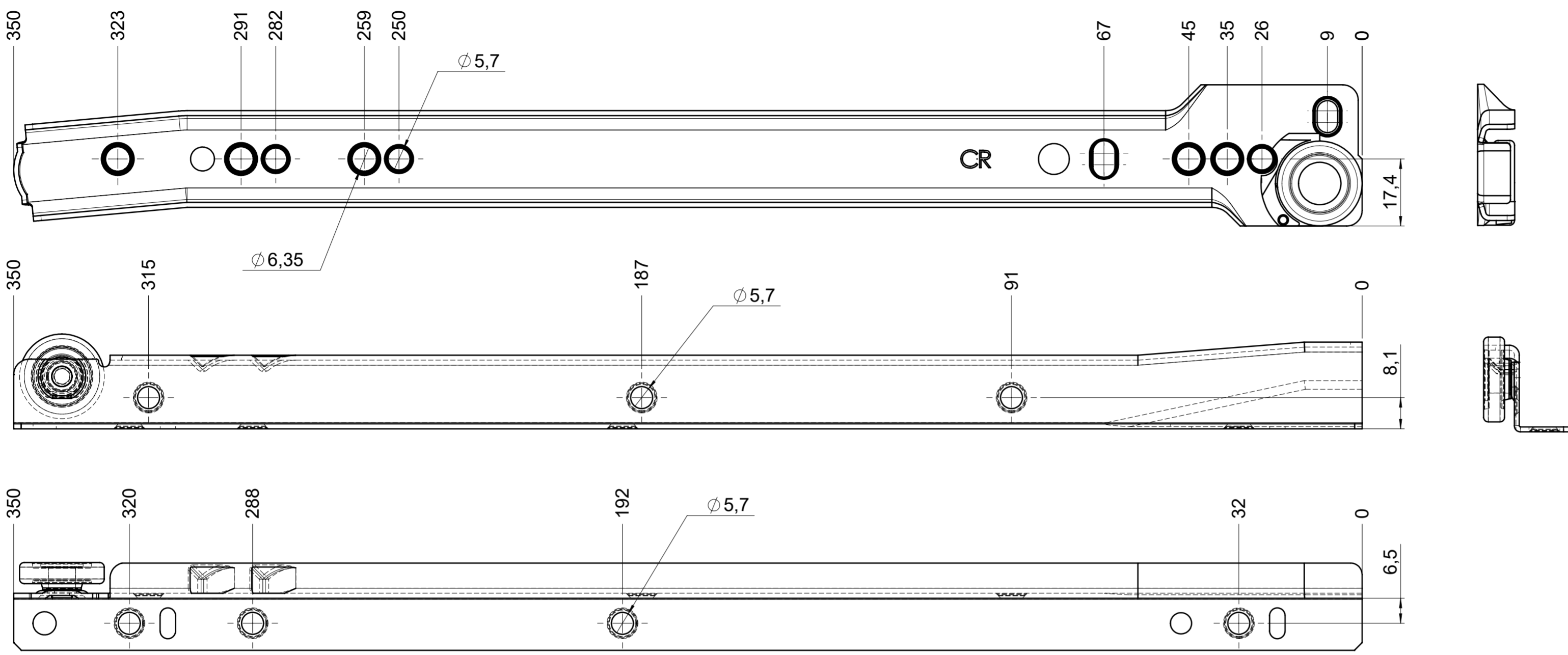
all dimensions in mm

DIN ISO 128-30
missing dimensions see 3D
 = theor. intersection

This drawing remains our property and may not be multiplied neither be disclosed to third parties (§§1,3 and 5 from the copyright Act (UrhG)) covered according to DIN ISO 16016				scale:	surface:	material, semi finished parts:	A2
(k)				1:1		STEEL	
(l)				date	name	(technical requirements Fulterer)	
(m)				drawn 12-12-2022	pr	description: FR 2021 / 35 EN (mm) regular-extension drawerslide / bottom mount	
(n)				proven 02-01-2023	pr		
(o)						drawing number: 2021.350-GA.0000.li	
(p)							
(q)				Fulterer AG & Co KG A-6890 Lustenau / Austria			
(r)				Fulterer AG CH-9430 St. Margrethen			
(s)				ind.	changes		
(t)					date		
(u)					na.		

drawn right

dimension without coating / maximum coating allowed 0.1mm



final approval

customer name:

signed by:

date:

all dimensions in mm				DIN ISO 128-30 missing dimensions see 3D = theor. intersection	
This drawing remains our property and may not be multiplied neither be disclosed to third parties (§§1,3 and 5 from the copyright Act (UrhG)) covered according to DIN ISO 16016					
scale: 1:1		surface:		material, semi finished parts: STEEL (technical requirements Fulterer)	
drawn 12-12-2022		date 12-12-2022		name pr	
proven 02-01-2023		date 02-01-2023		name pr	
				description: FR 2021 / 35 EN (mm) regular-extension drawerside / bottom mount	
Fulterer AG & Co KG A-6890 Lustenau / Austria Fulterer AG CH-9430 St. Margrethen				drawing number: 2021.350-GA.0000.re	
changes				replaces version date:	