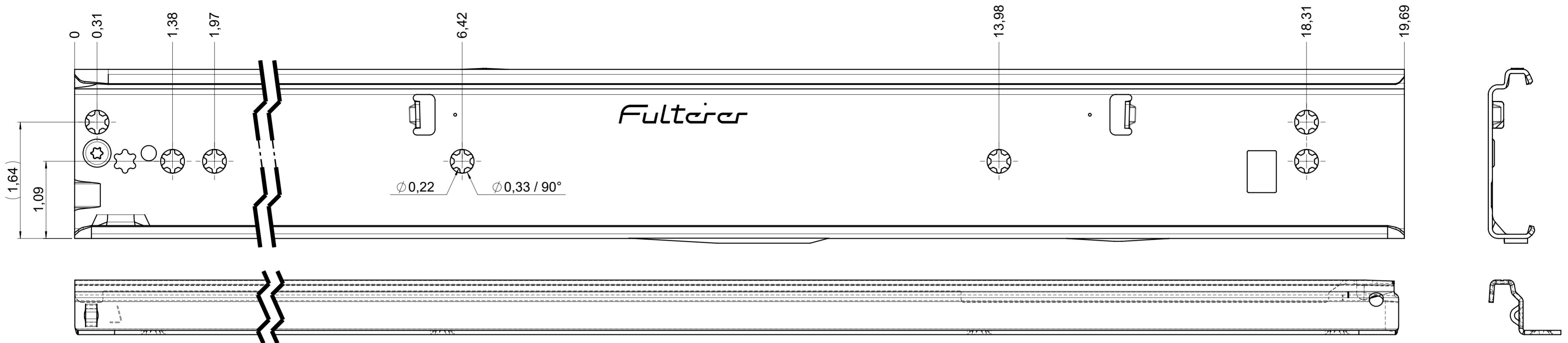


drawn on the left (mirrored on the right)

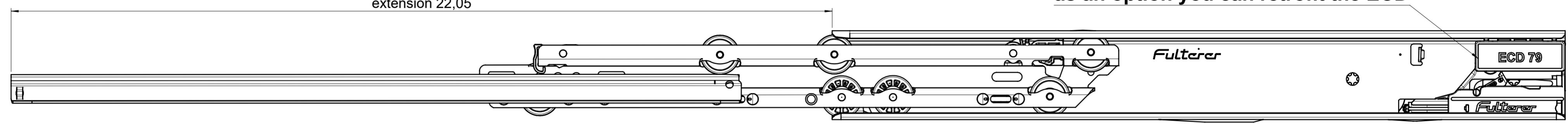


$\varnothing 0,22$ $\varnothing 0,33 / 90^\circ$

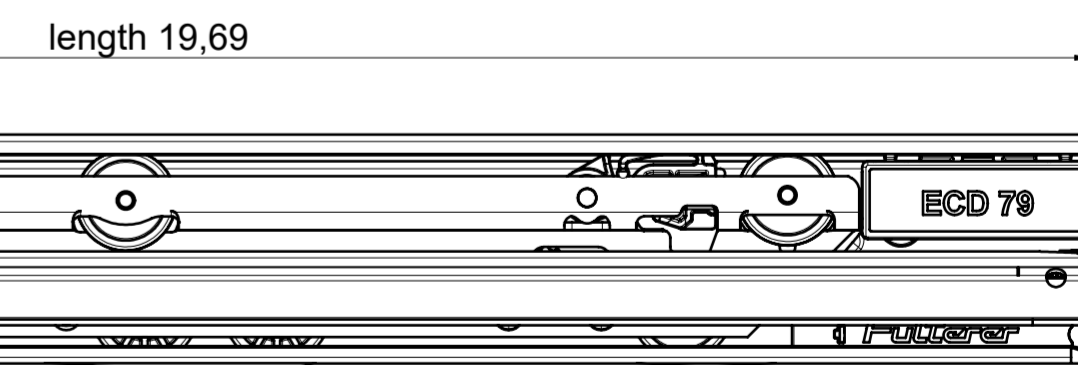
$\varnothing 0,22$ $\varnothing 0,33 / 90^\circ$

extension 22,05

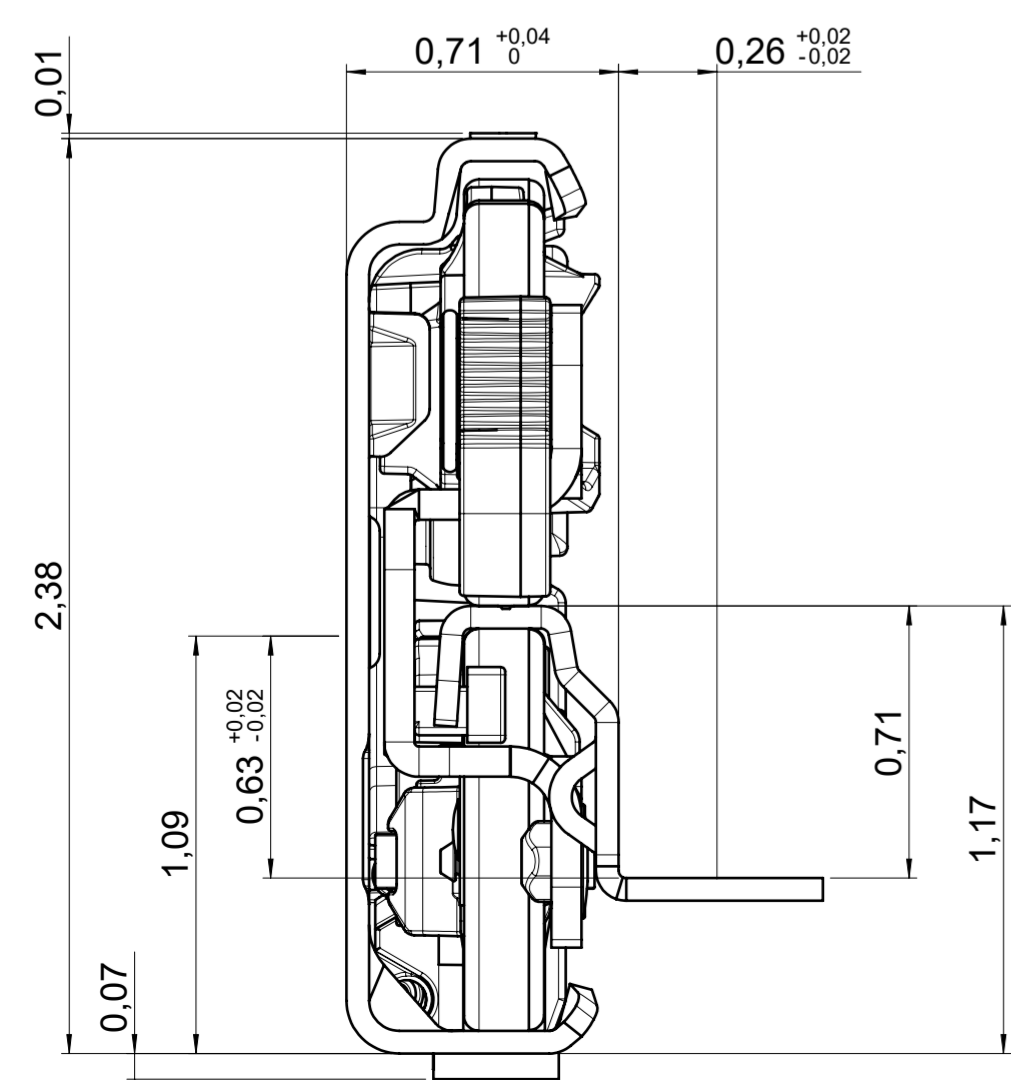
as an option you can retrofit the ECD



ECD 79



length 19,69



final approval

customer name:

signed by:

date:

all dimensions in inch					
missing dimensions see 3D = theor. intersection	DIN ISO 128-30	scale: 1:1	surface/color:	material: (technical requirements Fulterer) CS	
prototype approval		drawn	date	name	description: FR 796-500 CS EN (inch) progressive-action over-extension drawerslide / bottom mount
		proven	2024-01-15	RK	
		Fulterer Fulterer AG & Co KG A-6890 Lustenau		drawing number: CS# 796.500-GA.L500	
				Fulterer AG CH-9430 St. Margrethen	
① PDM	2024-01-15	RK			
ind. changes	date	name			