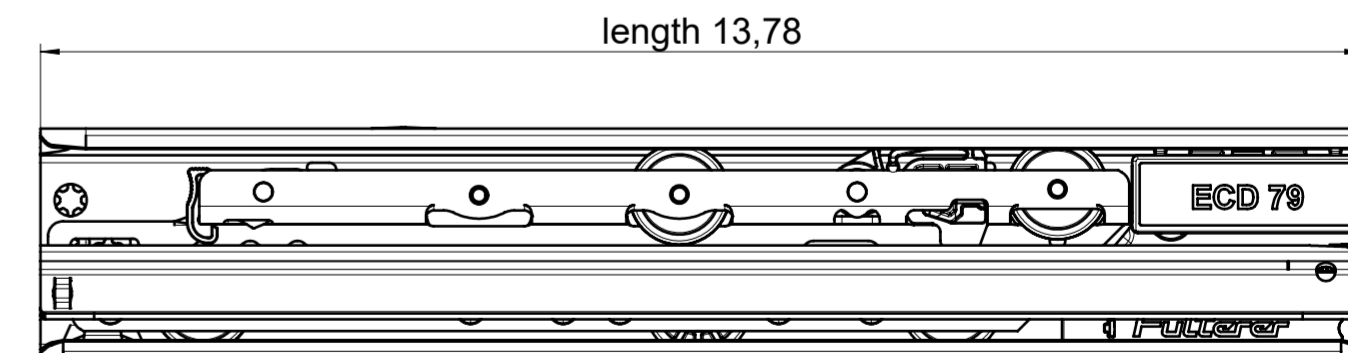
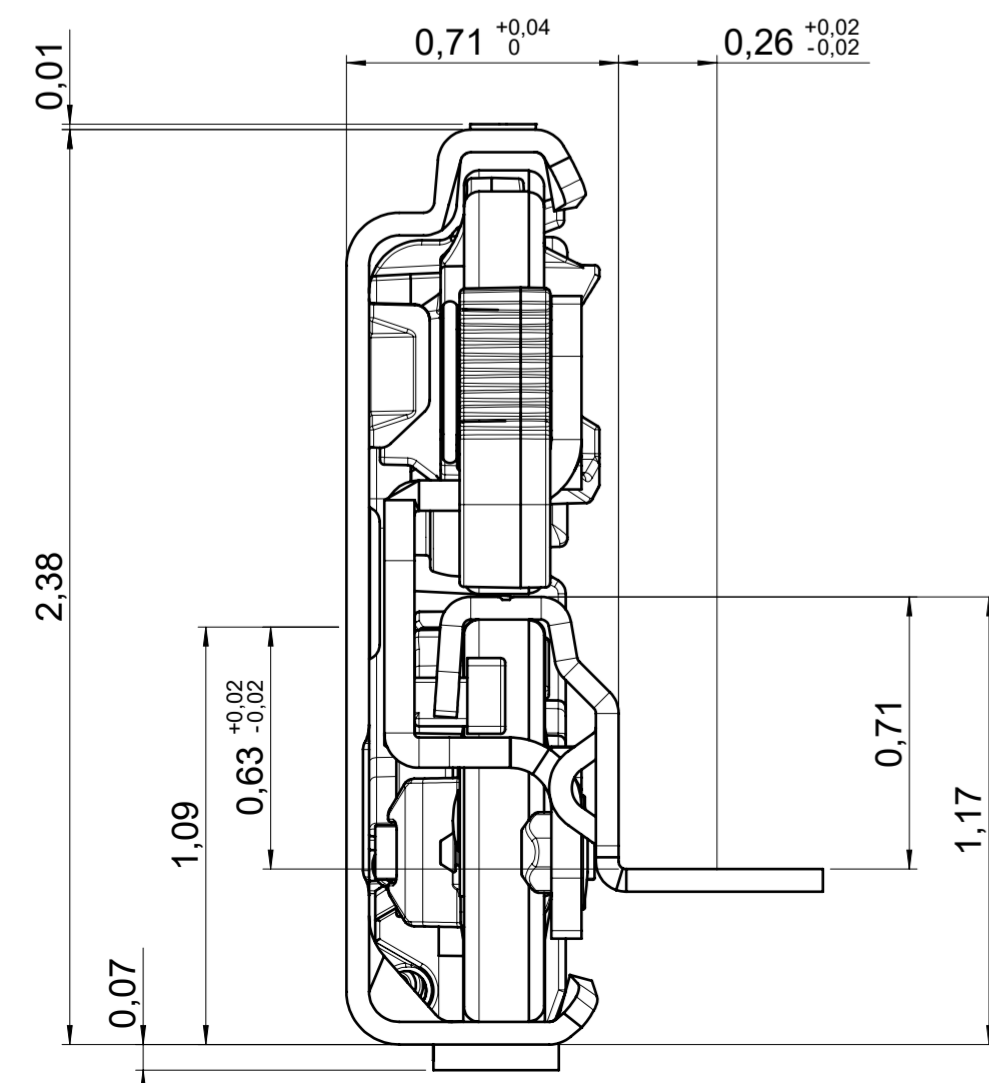
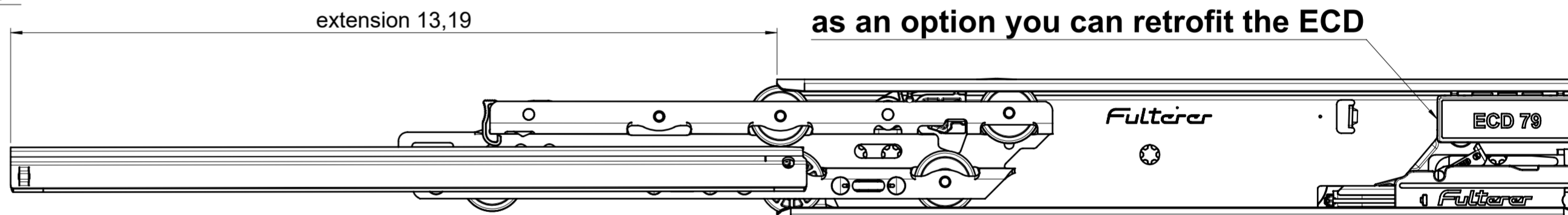
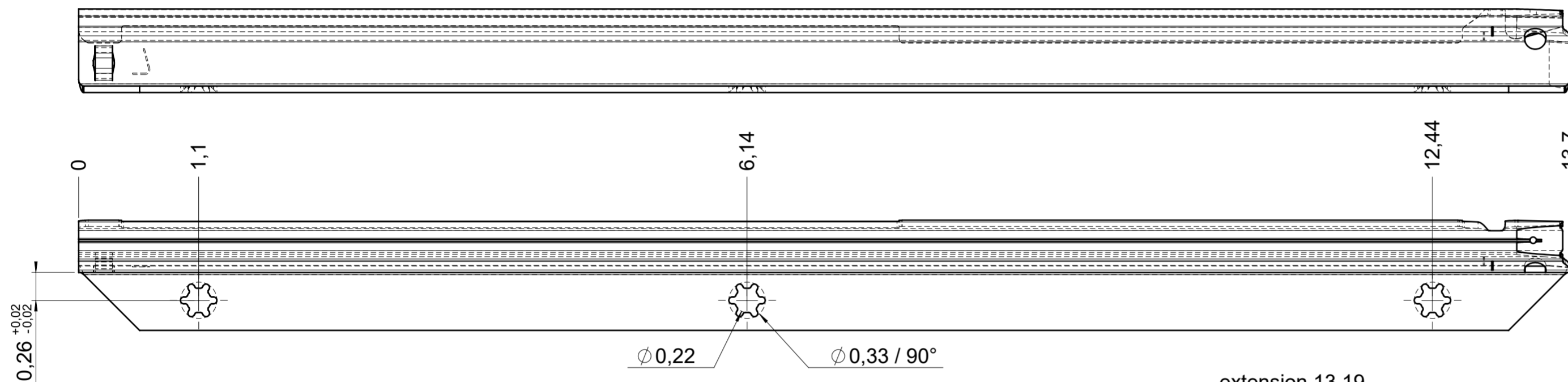
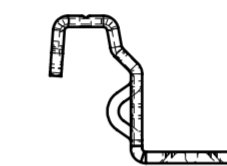
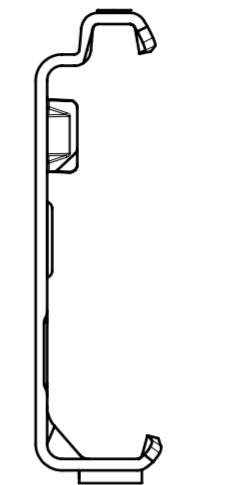
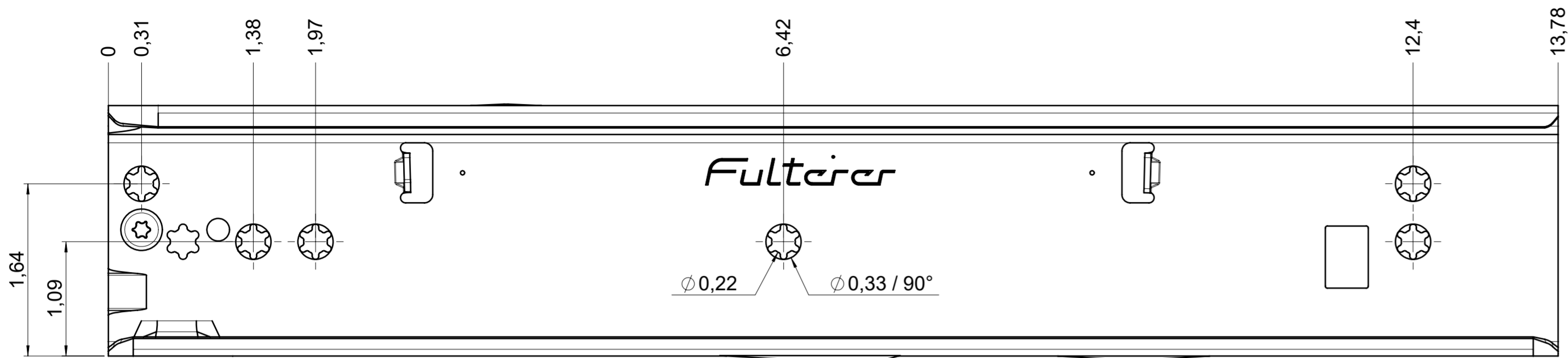


drawn on the left (mirrored on the right)



final approval	customer name:
	signed by:
	date:

all dimensions in inch			
missing dimensions see 3D = theor. intersection	scale: 1:1	surface/color:	material: CS (technical requirements Fulterer)
prototype approval	drawn: 2022-11-24 EX	date:	description: FR 796-350 CS EN (inch) progressive-action full-extension drawerslide / bottom mount
	proven: 2024-01-16 RK		
Fulterer		drawing number: CS# 796.350-GA.0000	
Fulterer AG & Co KG A-6890 Lustenau		replaces the edition:	
Fulterer AG CH-9430 St. Margrethen			
ind. changes			A2