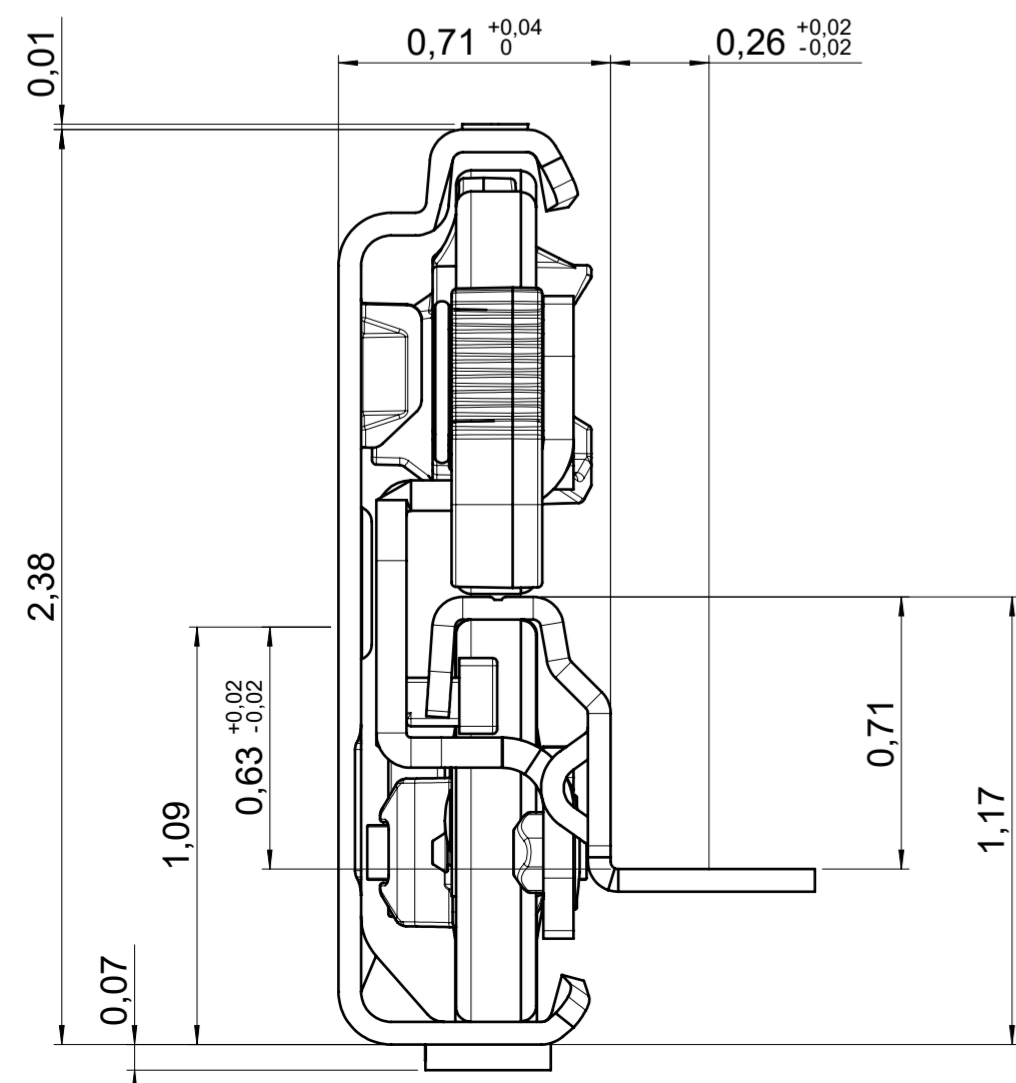
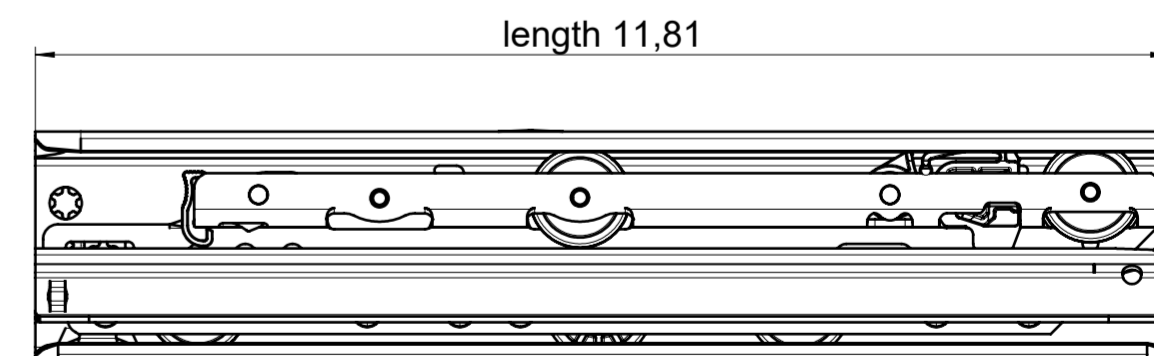
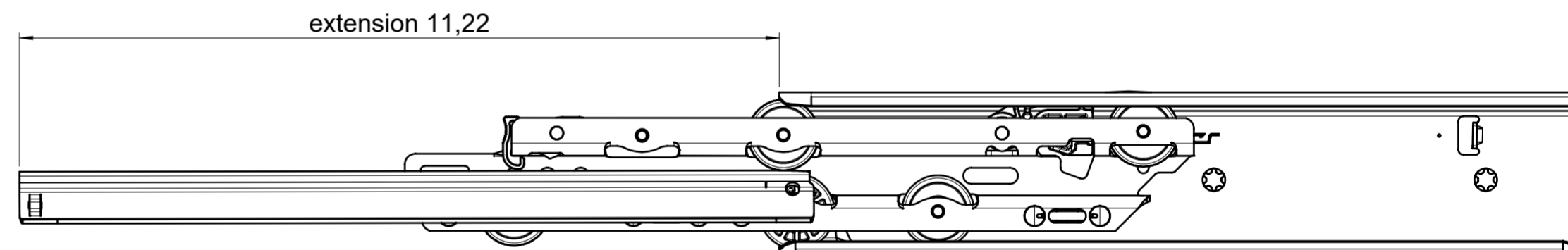
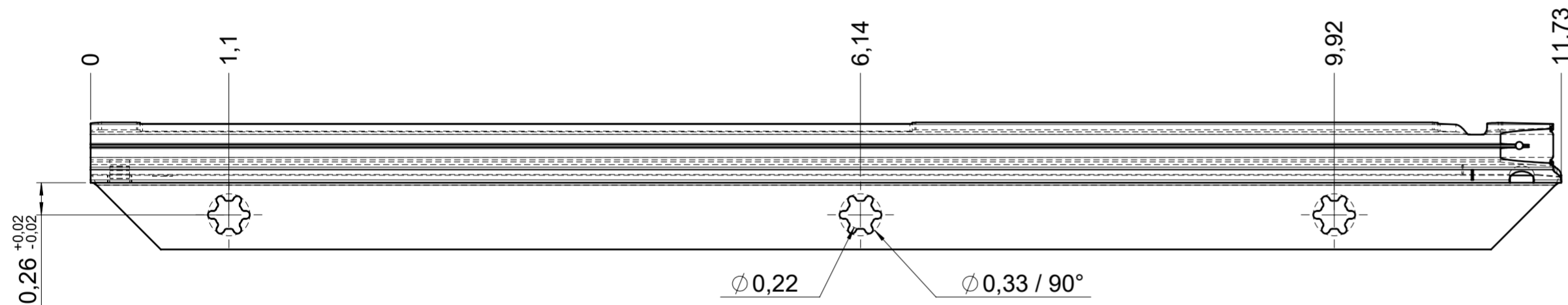
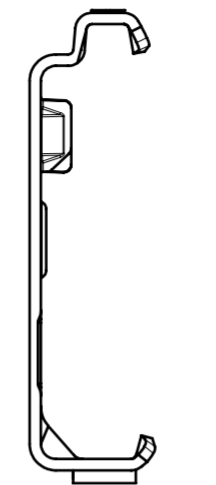
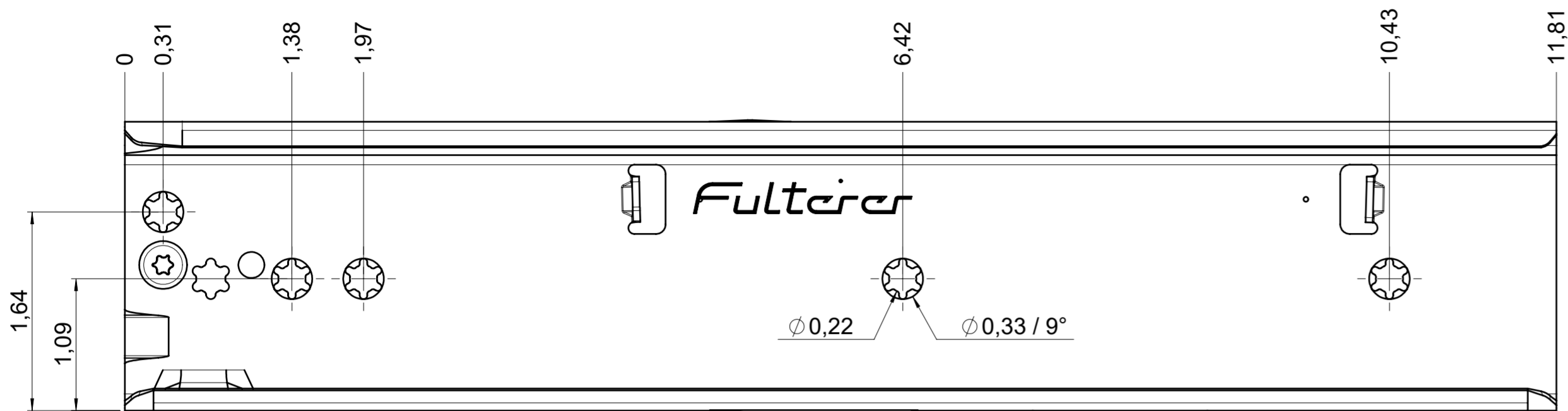


drawn on the left (mirrored on the right)



final approval

customer name:

signed by:

date:

all dimensions in inch					
missing dimensions see 3D = theor. intersection	DIN ISO 128-30	scale: 1:1	surface/color:	material: CS (technical requirements Fulterer)	
prototype approval		drawn	date	name	description: FR 796-300 CS EN (inch) progressive-action full-extension drawerslide / bottom mount
		proven	2024-01-16	RK	
		 Fulterer AG & Co KG A-6890 Lustenau Fulterer AG CH-9430 St. Margrethen		drawing number: CS# 796.300-GA.0000	
ind. changes				date	name
<small>This drawing remains our property and may not be multiplied neither be disclosed to third parties (§§1.3 and 5 from the copyright Act (UrHG)). covered according to DIN ISO 16016</small>					