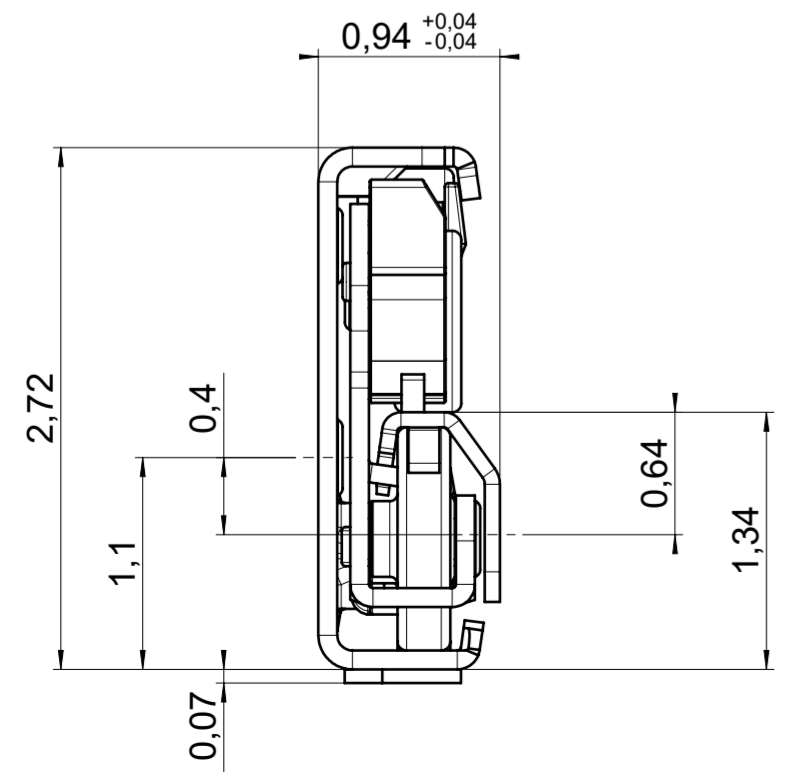
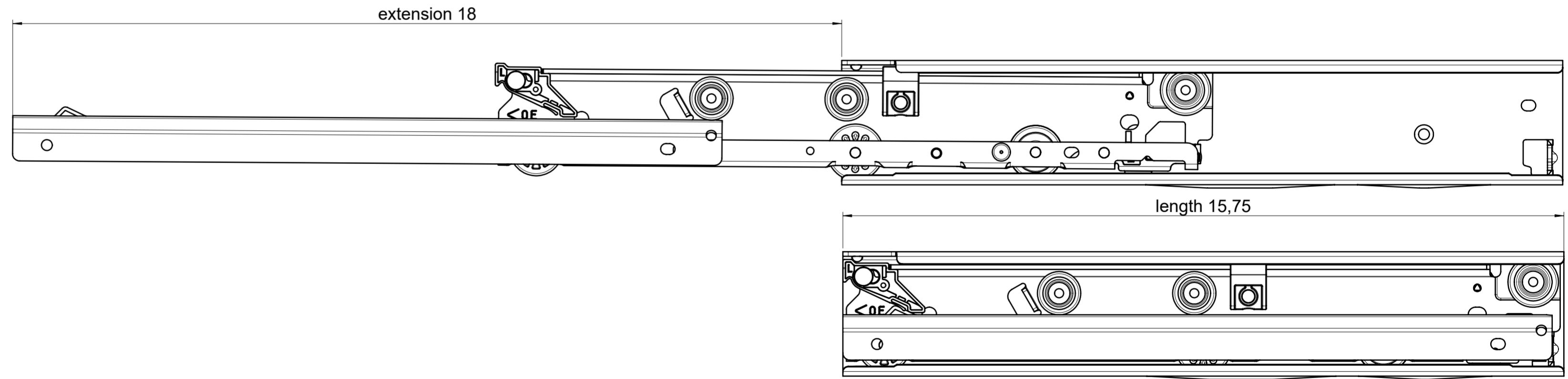
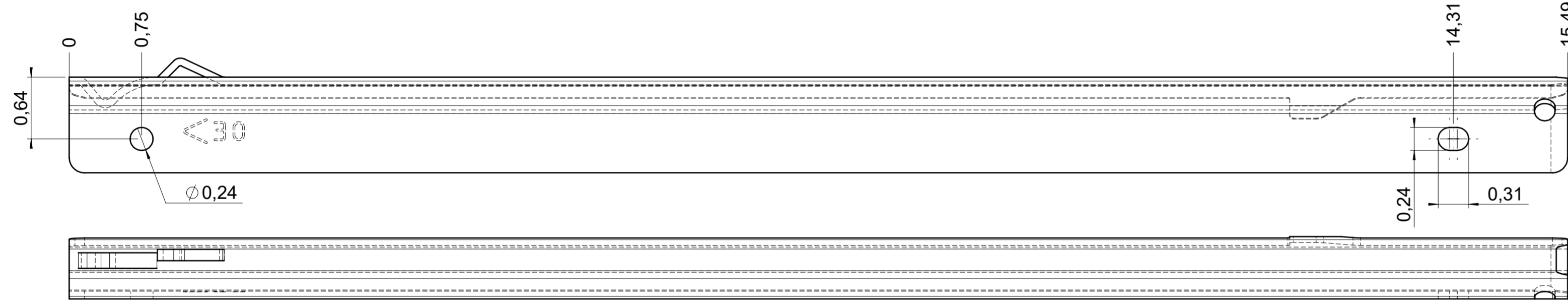
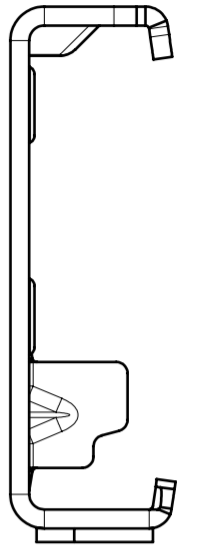
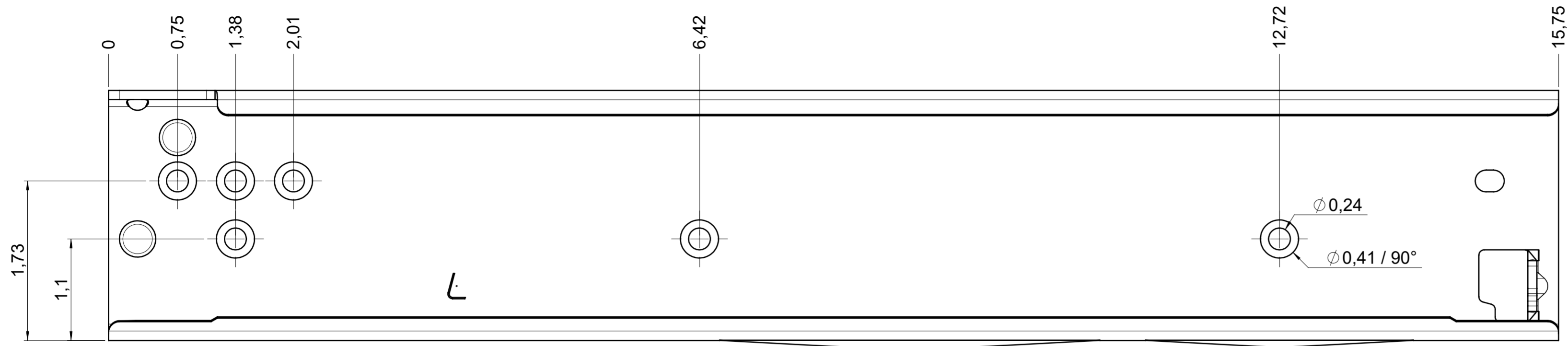


CS# 7101.400-GAÜ.0000

drawn left (right mirrorimage)



final approval

customer name:

signed by:

date:

all dimensions in inch			DIN ISO 128-30 missing dimensions see 3D = theor. intersection	
This drawing remains our property and may not be multiplied neither be disclosed to third parties (§§1,3 and 5 from the copyright Act (UrhG)) covered according to DIN ISO 16016				
scale: 1:1		surface:		material, semi finished parts: CS (technical requirements Fulterer)
drawn 05-01-2023 BM		date name		description: FR 7101 / 40 CS EN (inch) progressive-action full-extension drawerslide / side mount
proven 00-00-0000 00		00		
Fulterer		Fulterer AG & Co KG A-6890 Lustenau / Austria Fulterer AG CH-9430 St. Margrethen		drawing number: CS# 7101.400-GAÜ.0000 replaces version date:
ind.	changes	date	na.	