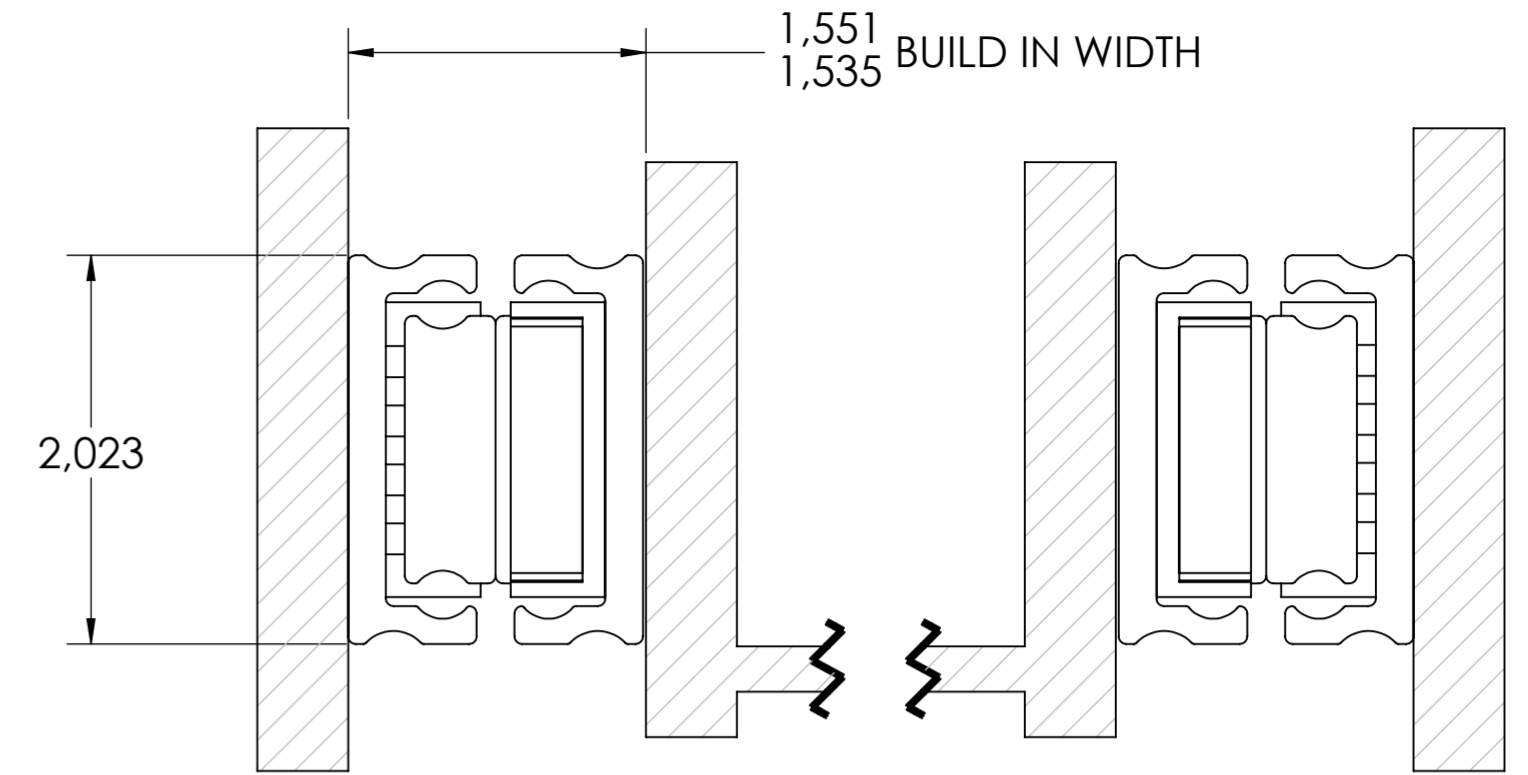
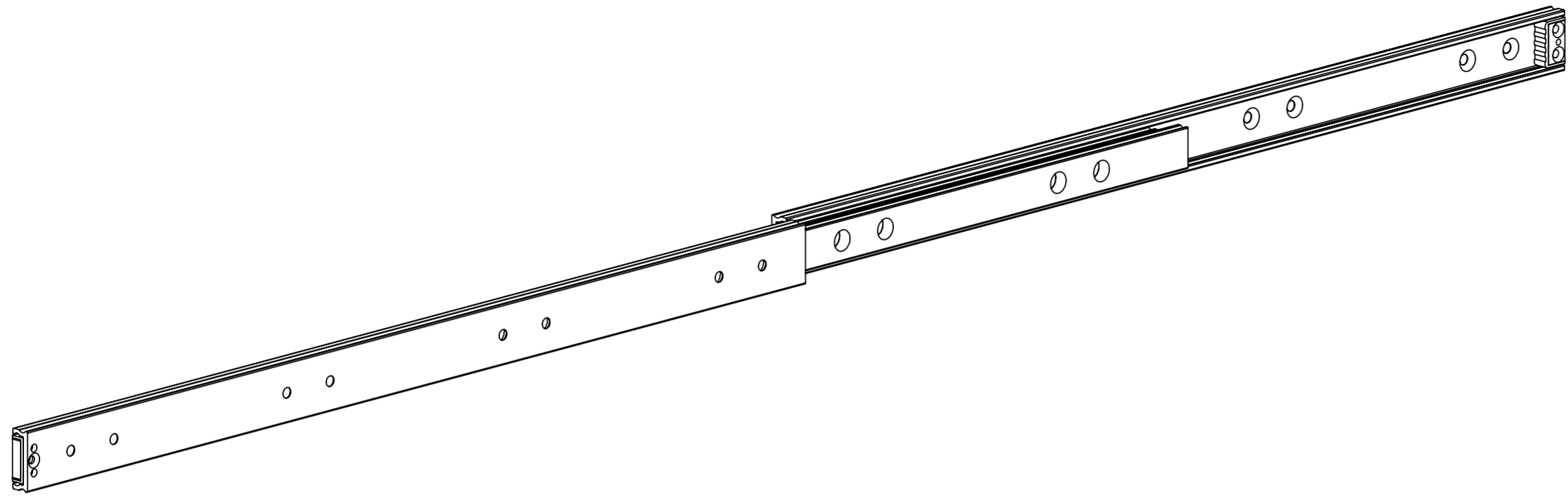
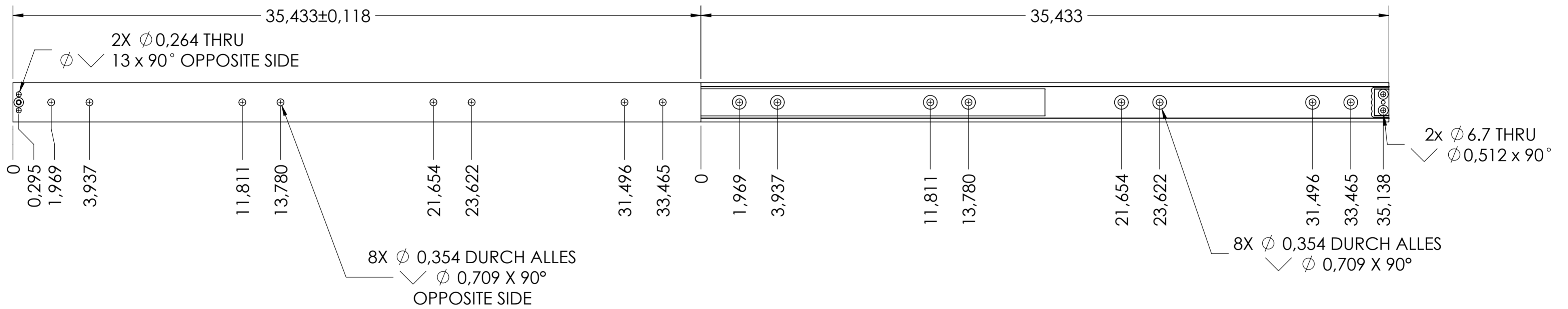
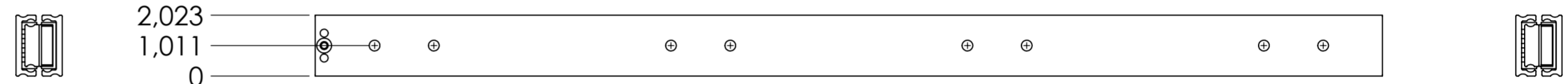


5439.900-GA.T090

X



SCALE 1:1



RECOMMENDED HARDWARE:
CABINET- M8 OR M6 FLATHEAD SCREWS
DRAWER- M8 OR M6 FLATHEAD SCREWS

general tolerances		DIN ISO 128-30 missing dimensions see 3D = theor. intersection	
ISO 2768-m			
This drawing remains our property and may not be multiplied neither be disclosed to third parties (§§1,3 and 5 from the copyright Act (UrhG)) covered according to DIN ISO 16016			
(k)		scale:	surface:
(l)		1:4	
(i)		date	name
(h)		drawn 17-12-2018	HB
(g)		proven 00-00-0000	00
(f)		Fulterer	
(e)			
(d)		Fulterer AG & Co KG A-6890 Lustenau / Austria	
(c)		Fulterer AG CH-9430 St. Margrethen	
(b)		drawing number: 5439.900-GA.T090	
(a)	0	00-00-0000	0
ind.	changes	date	na.
		replaces version date:	