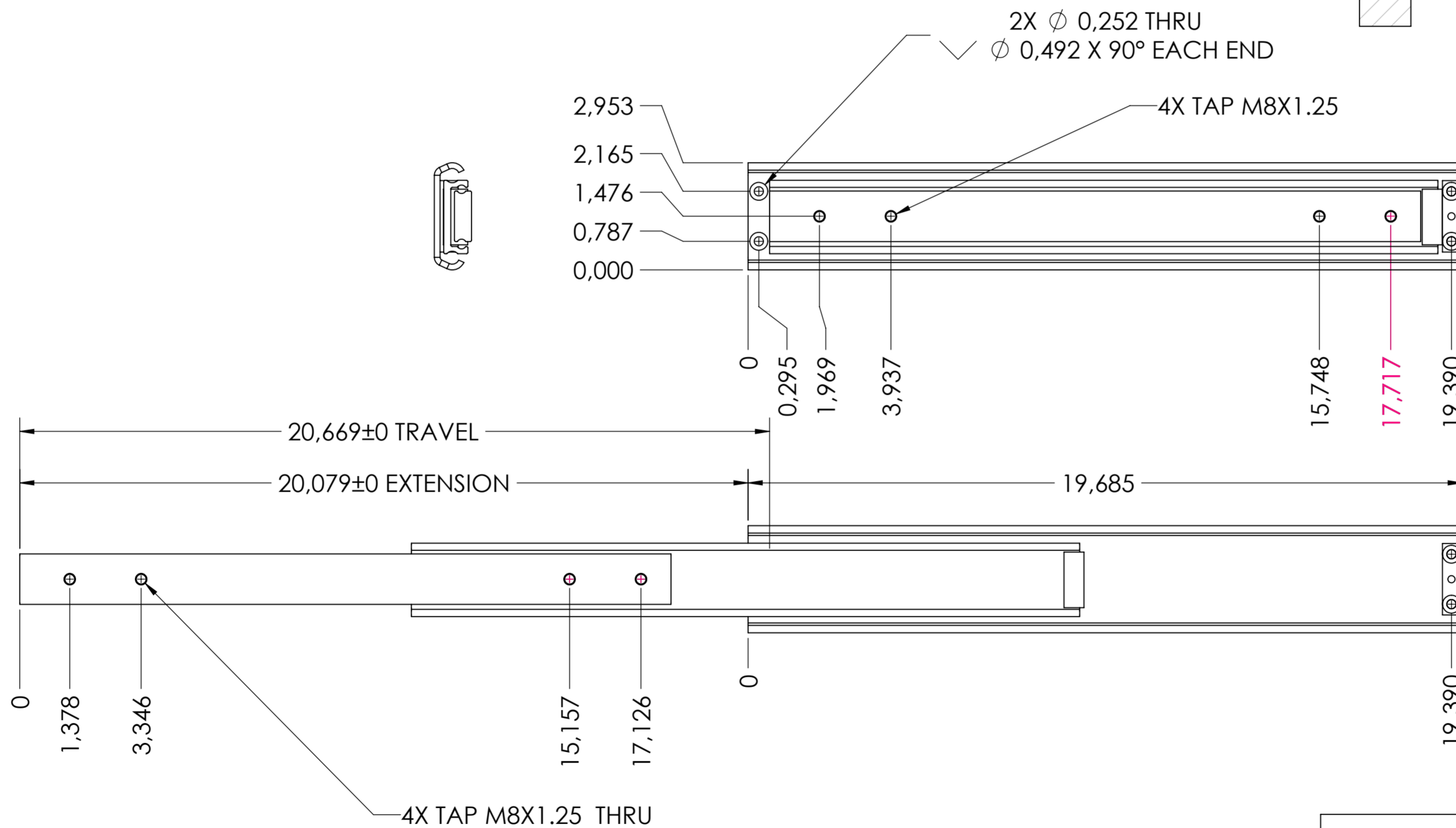


SCALE 1:1



RECOMMENDED HARDWARE:  
CABINET- M6 FLATHEAD SCREWS

DRAWER- M8x1.25 SCREWS

|  |  |  |   |
|--|--|--|---|
| general tolerances   |  | DIN ISO 128-30<br>missing dimensions see 3D<br>= theor. intersection |   |
| ISO 2768-m   |  |  |   |
| This drawing remains our property and may not be multiplied neither be disclosed to third parties (§§1,3 and 5 from the copyright Act (UrhG)) covered according to DIN ISO 16016 |  |  |   |
| (k)  | scale:   | 1:3  | surface:  |
| (l)  | date   | 20-07-2018   | name  |
| (m)  | drawn  | HB   |   |
| (n)  | proven   | 00-00-0000   | 00  |
| (o)  | <b>Fulterer</b>                                  |  | material, semi finished parts: STEEL (technical requirements Fulterer)                |
| (p)  | Fulterer AG & Co KG<br>A-6890 Lustenau / Austria |  | description:<br>FULL EXTENSION SIDE MOUNT<br>SUPER HEAVY DUTY SLIDE<br>NON-DISCONNECT |
| (q)  | Fulterer AG<br>CH-9430 St. Margrethen            |  |   |
| (r)  | drawing number:                                  | 5426.500-GA.T092   |   |
| (s)  | replaces version date:                           |  |   |
| (t)  | changes  | date   | na.   |