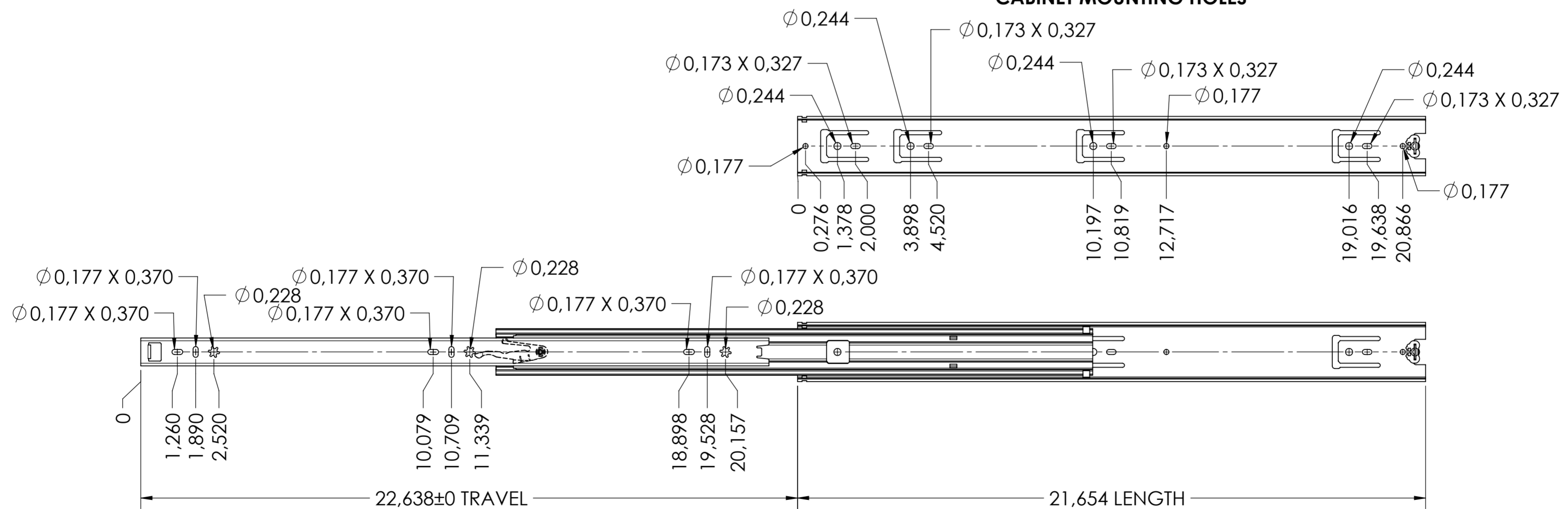


CABINET MOUNTING HOLES



RECOMMENDED HARDWARE:

CABINET- M4 BUTTON HEAD M5 FLATHEAD #8 TRUSS HEAD #10 FLAT HEAD SCREW

DRAWER- M4 BUTTON HEAD M5 FLATHEAD #8 TRUSS HEAD #10 FLAT HEAD SCREW

general tolerances				missing dimensions see 3D = theor. intersection	
ISO 2768-m					
This drawing remains our property and may not be multiplied neither be disclosed to third parties (§§1,3 and 5 from the copyright Act (UrhG)) covered according to DIN ISO 16016					
(k)		scale:	1:3	surface:	material, semi finished parts: STEEL (technical requirements Fulterer)
(l)		date:	06-11-2018	name:	HB
(m)		drawn:	00-00-0000	description:	SIDE MOUNT OVER EXTENSION DRAWER SLIDE WITH DRAWER DISCONNECT
(n)		proven:			
(o)		Fulterer		drawing number:	5210.550-GA.T030
(p)				Fulterer AG & Co KG A-6890 Lustenau / Austria	replaces version date:
(q)		Fulterer AG CH-9430 St. Margrethen			
(r)		ind. changes	date	na.	