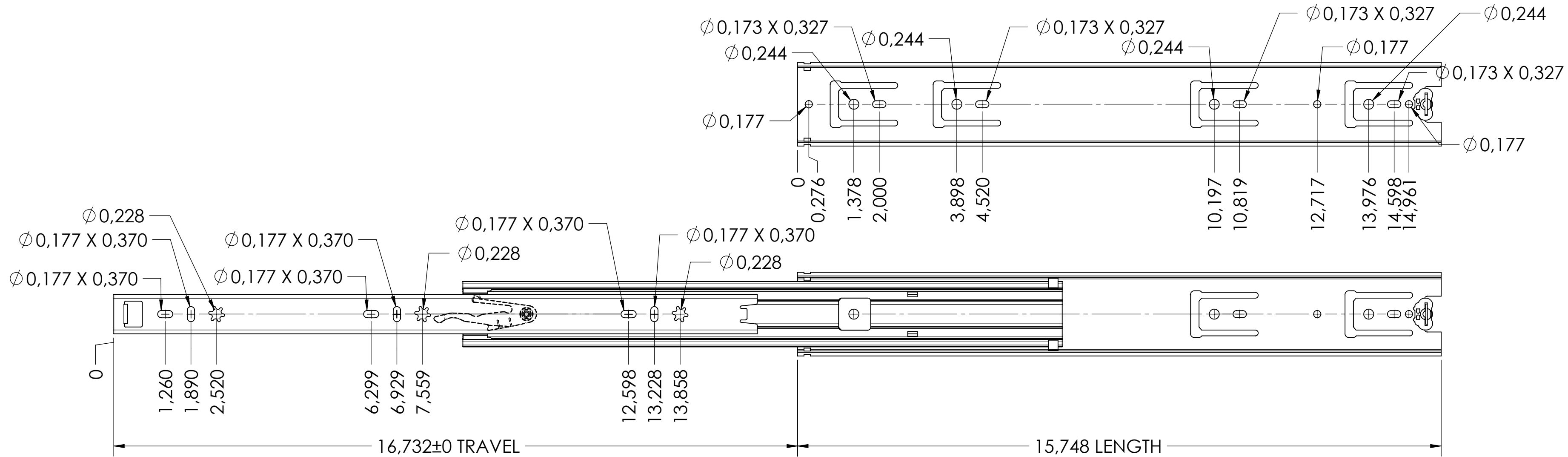


CABINET MOUNTING HOLES



RECOMMENDED HARDWARE:

CABINET- M4 BUTTON HEAD M5 FLATHEAD #8 TRUSS HEAD #10 FLAT HEAD SCREW

DRAWER- M4 BUTTON HEAD M5 FLATHEAD #8 TRUSS HEAD #10 FLAT HEAD SCREW

general tolerances				missing dimensions see 3D = theor. intersection	
ISO 2768-m					
This drawing remains our property and may not be multiplied neither be disclosed to third parties (§§1,3 and 5 from the copyright Act (UrhG)) covered according to DIN ISO 16016					
(k)		scale:	1:2	surface:	material, semi finished parts: A2
(l)		date		name	STEEL (technical requirements Fulterer)
(m)		drawn	06-11-2018	HB	description: SIDE MOUNT OVER EXTENSION DRAWER SLIDE WITH DRAWER DISCONNECT
(n)		proven	00-00-0000	00	
(o)		Fulterer			drawing number: 5210.400-GA.T030
(p)		Fulterer AG & Co KG A-6890 Lustenau / Austria			
(q)		Fulterer AG CH-9430 St. Margrethen			replaces version date:
(r)	0	00-00-0000	0		
(s)	ind.	changes	date	na.	