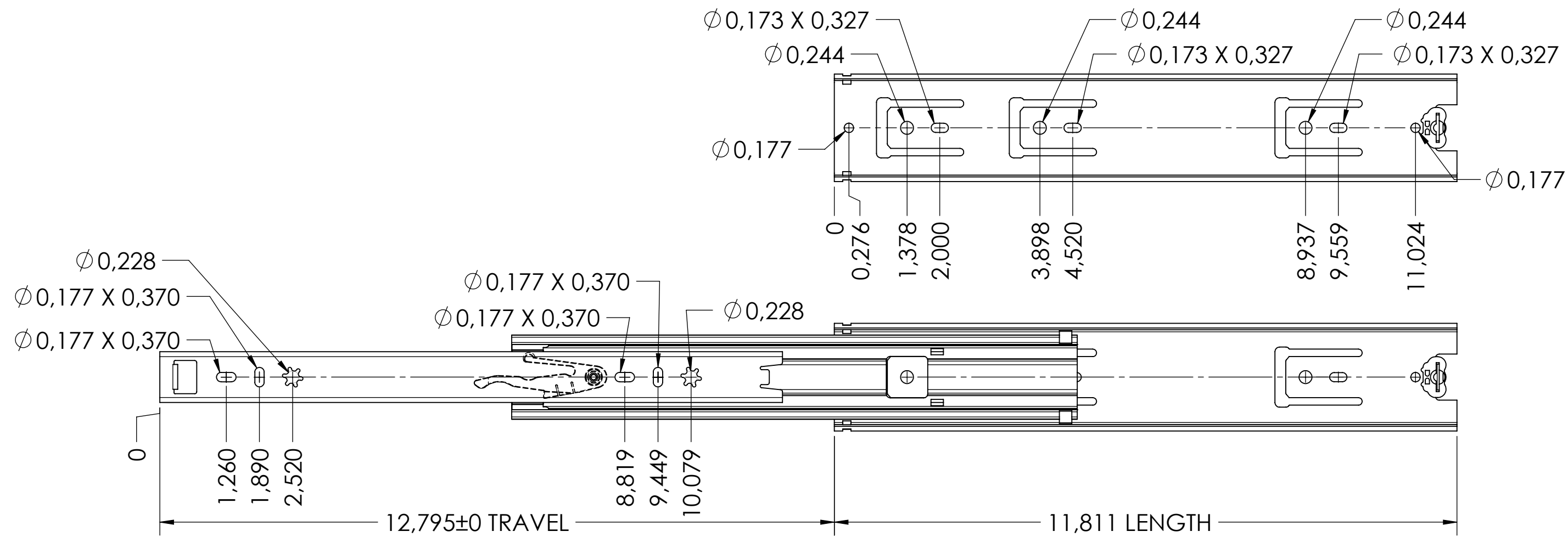


### CABINET MOUNTING HOLES



### RECOMMENDED HARDWARE:

CABINET- M4 BUTTON HEAD M5 FLATHEAD #8 TRUSS HEAD #10 FLAT HEAD SCREW

DRAWER- M4 BUTTON HEAD M5 FLATHEAD #8 TRUSS HEAD #10 FLAT HEAD SCREW

general tolerances				missing dimensions see 3D = theor. intersection	
ISO 2768-m					
This drawing remains our property and may not be multiplied neither be disclosed to third parties (§§1,3 and 5 from the copyright Act (UrhG)) covered according to DIN ISO 16016					
(k)			scale:	surface:	material, semi finished parts:
(l)			1:2		STEEL
(m)			date	name	(technical requirements Fulterer)
(n)			drawn 06-11-2018	HB	description: SIDE MOUNT OVER EXTENSION DRAWER SLIDE WITH DRAWER DISCONNECT
(o)			proven 00-00-0000	00	
(p)			<b>Fulterer</b>		drawing number: <b>5210.300-GA.T030</b>
(q)			Fulterer AG & Co KG A-6890 Lustenau / Austria		
(r)			Fulterer AG CH-9430 St. Margrethen		replaces version date:
(s)	0	00-00-0000	0		
(t)	ind.	changes	date	na.	