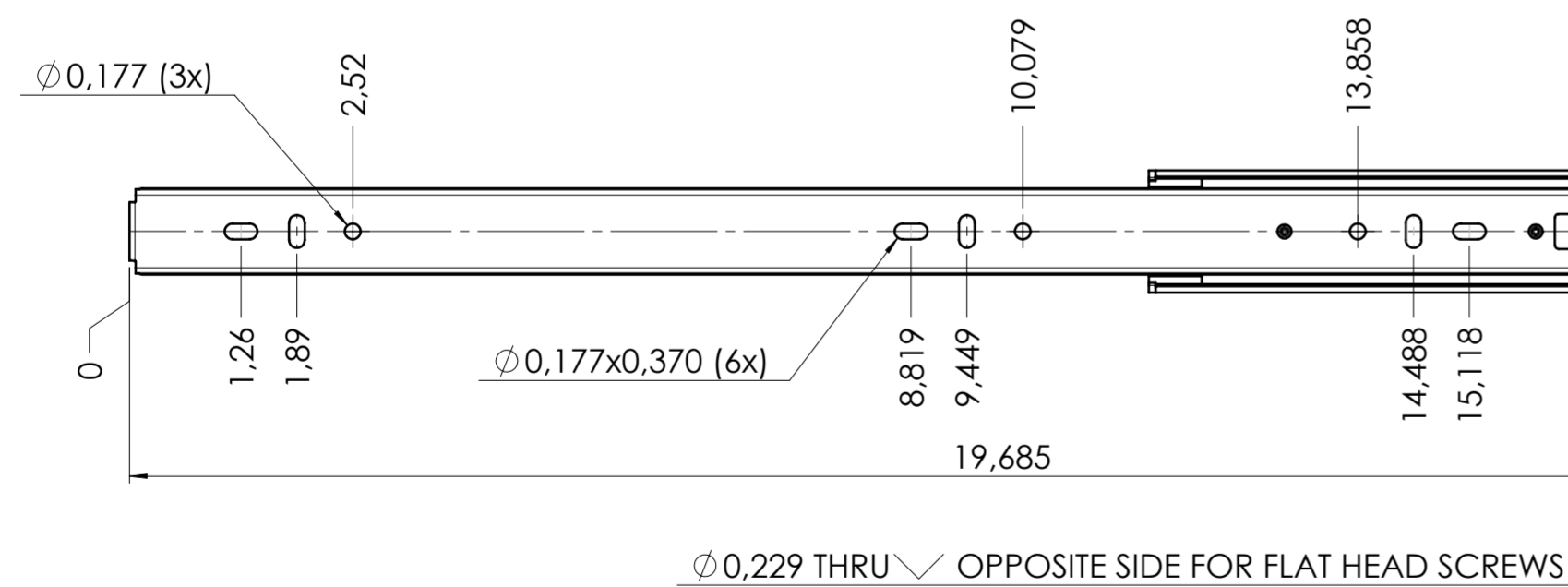
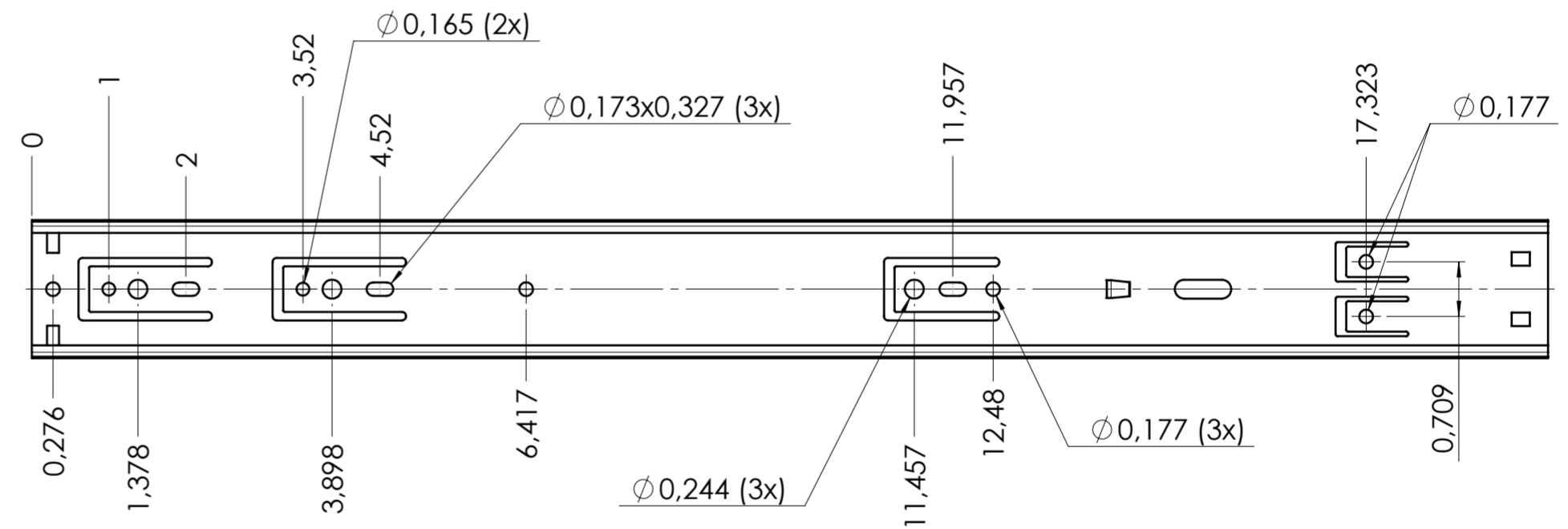


### CABINET MOUNTING HOLES



**RECOMMENDED HARDWARE:**  
 CABINET- 3.5mm SPAX M4 BUTTON HEAD OR #8 TRUSS HEAD SCREW  
 DRAWER- 3.5mm SPAX M4 BUTTON HEAD OR #8 TRUSS HEAD SCREW

general tolerances		DIN ISO 128-30	
stamping part according Fulterer W18-001	plastic part according DIN ISO 16742 TG4	missing dimensions see 3D = theor. intersection	
This drawing remains our property and may not be multiplied neither be disclosed to third parties (§§1,3 and 5 from the copyright Act (UrhG)) covered according to DIN ISO 16016			
(k)		scale:	material, semi finished parts: <b>STEEL</b>
(l)		1:2	(technical requirements Fulterer)
(m)		surface:	description: SIDE MOUNT FULL EXTENSION DRAWER SLIDE WITH SOFT- CLOSE & DRAWER DISCONNECT
(n)		date	
(o)		drawn 09-12-2020	replaces version date:
(p)		name	
(q)		proven 00-00-0000	
(r)			
(s)			
(t)			
(u)			
(v)			
(w)			
(x)			
(y)			
(z)			
(a)	Lochposition angepasst	16-04-2021	MW
(b)	changes	date	na.
(c)			
(d)			
(e)			
(f)			
(g)			
(h)			
(i)			
(j)			
(k)			