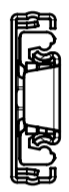
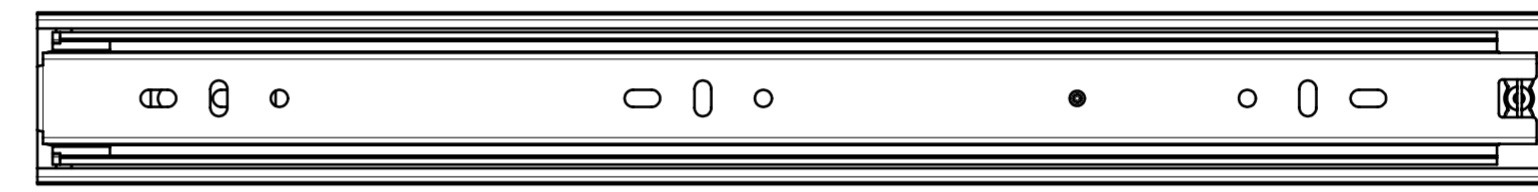
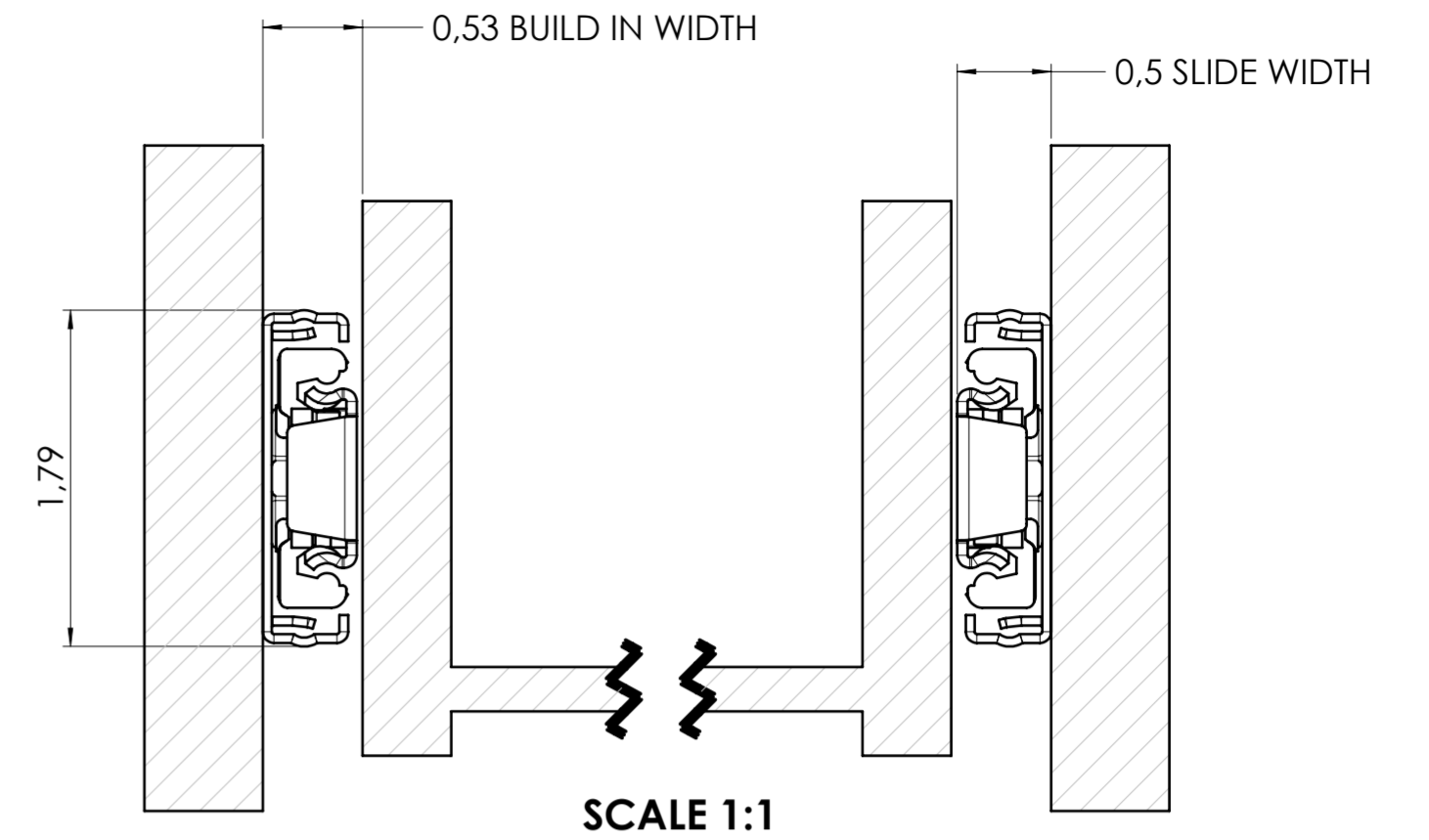
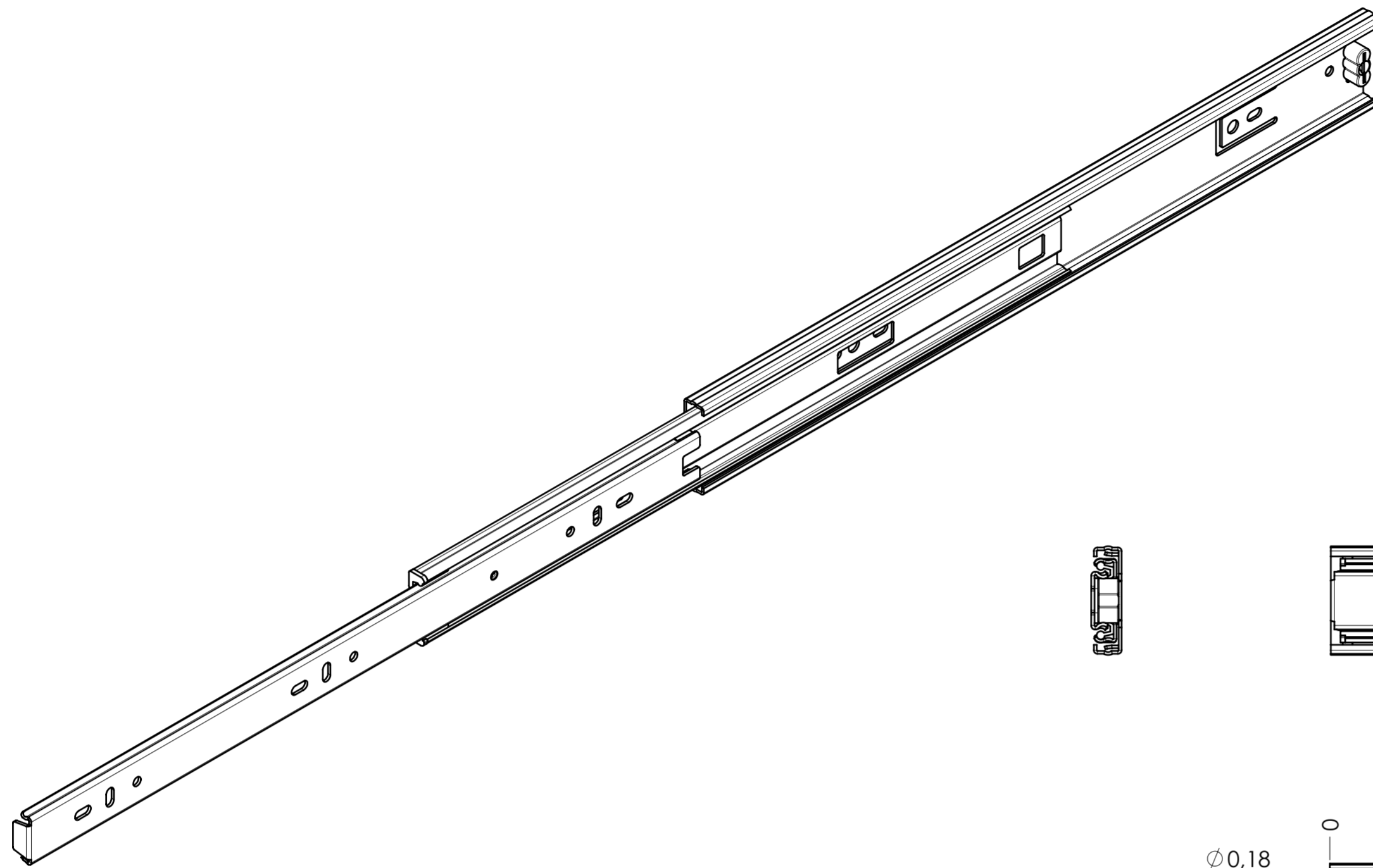
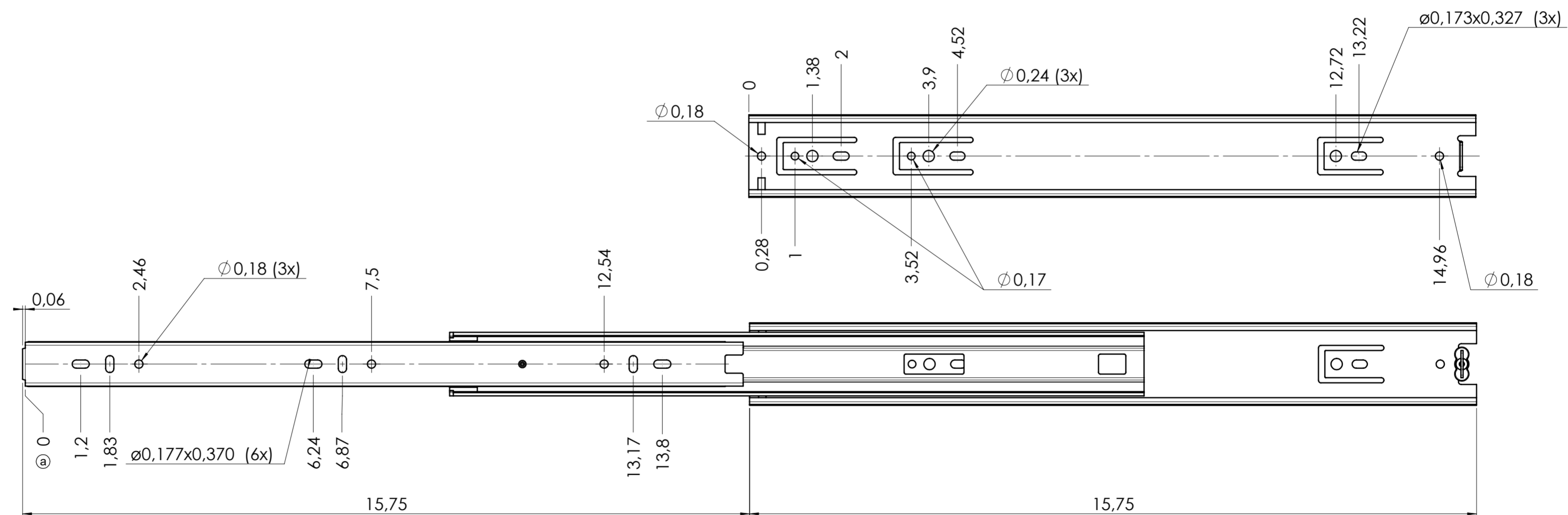


# 5046.400-GA.C200A

X



**CABINET MOUNTING HOLES**



**RECOMMENDED HARDWARE:**

CABINET- 3.5mm SPAX M4 BUTTON HEAD OR #8 TRUSS HEAD SCREW

DRAWER- 3.5mm SPAX M4 BUTTON HEAD OR #8 TRUSS HEAD SCREW

general tolerances		stamping part according Fulterer W18-001		plastic part according DIN ISO 16742 TG4		DIN ISO 128-30 missing dimensions see 3D = theor. intersection	
This drawing remains our property and may not be multiplied neither be disclosed to third parties (§§1,3 and 5 from the copyright Act (UrhG)) covered according to DIN ISO 16016							
(k)				scale:	1:2	surface:	material, semi finished parts: Steel (technical requirements Fulterer)
(l)				date	12-05-2021	name	MW
(m)				drawn	00-00-0000	proven	00
(n)				<b>Fulterer</b>		description: SIDE MOUNT FULL EXTENSION DRAWER SLIDE WITH DRAWER DISCONNECT	
(o)						drawing number: <b>5046.400-GA.C200A</b>	
(p)				Fulterer AG & Co KG A-6890 Lustenau / Austria		replaces version date:	
(q)				Fulterer AG CH-9430 St. Margrethen			
(r)	adj. dimensional reference	23-11-2022	BM				
(s)	changes	date	na.				