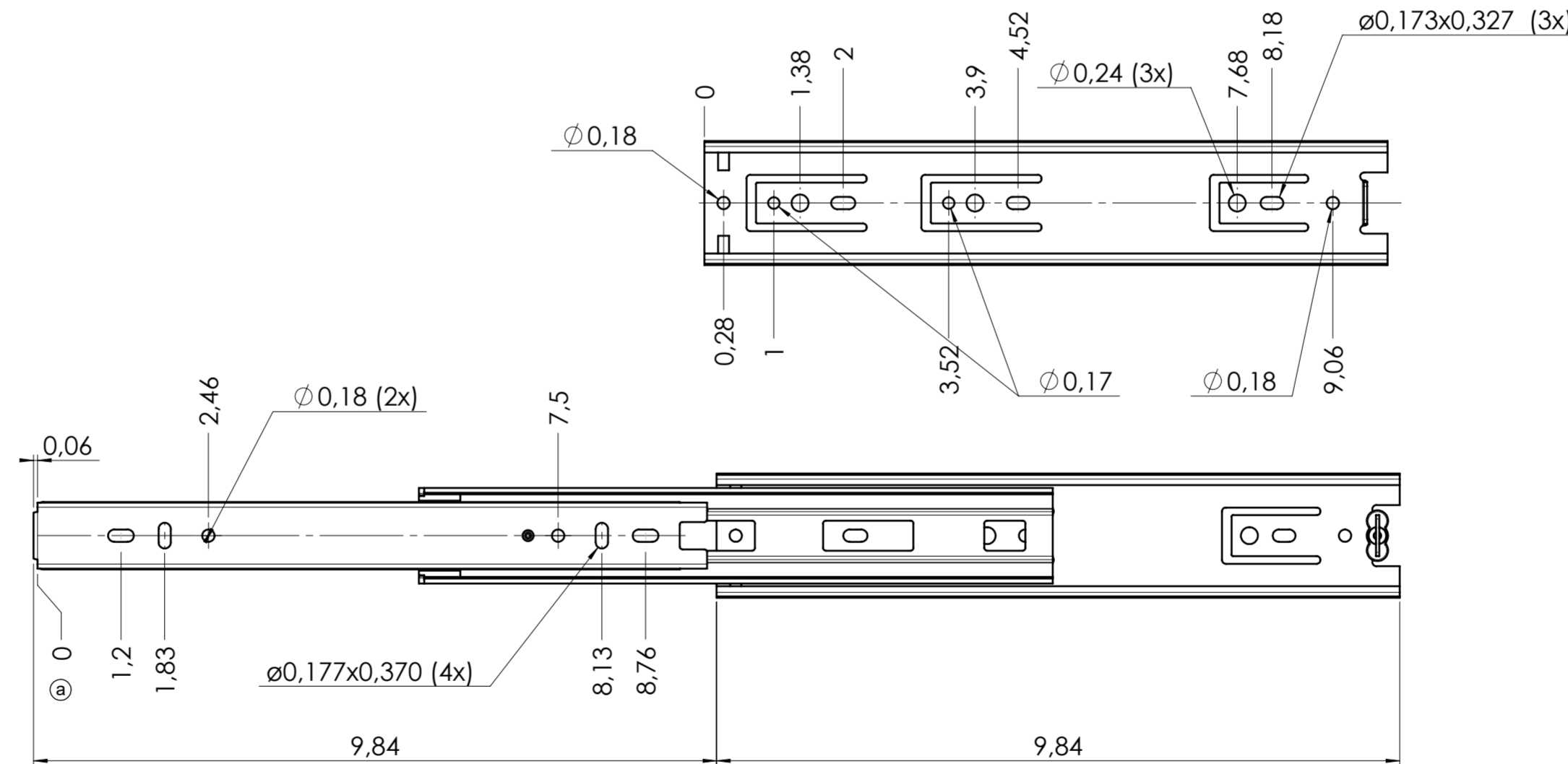


**CABINET MOUNTING HOLES**



RECOMMENDED HARDWARE:  
 CABINET- 3.5mm SPAX M4 BUTTON HEAD OR #8 TRUSS HEAD SCREW  
 DRAWER- 3.5mm SPAX M4 BUTTON HEAD OR #8 TRUSS HEAD SCREW

general tolerances		stamping part according to Fulterer W18-001		plastic part according to DIN ISO 16742 TG4		DIN ISO 128-30 missing dimensions see 3D = theor. intersection	
This drawing remains our property and may not be multiplied neither be disclosed to third parties (§§1,3 and 5 from the copyright Act (UrhG))							
covered according to DIN ISO 16016				scale:	1:2	surface:	material, semi finished parts: Steel (technical requirements Fulterer)
(k)				date	12-05-2021	name	MW
(l)				proven	00-00-0000		00
(m)				<b>Fulterer</b>			
(n)							
(o)				Fulterer AG & Co KG A-6890 Lustenau / Austria			
(p)				Fulterer AG CH-9430 St. Margrethen			
(q)	adj. dimensional reference	23-11-2022	BM	drawing number: <b>5046.250-GA.C200A</b>			
(r)	changes	date	na.	replaces version date:			