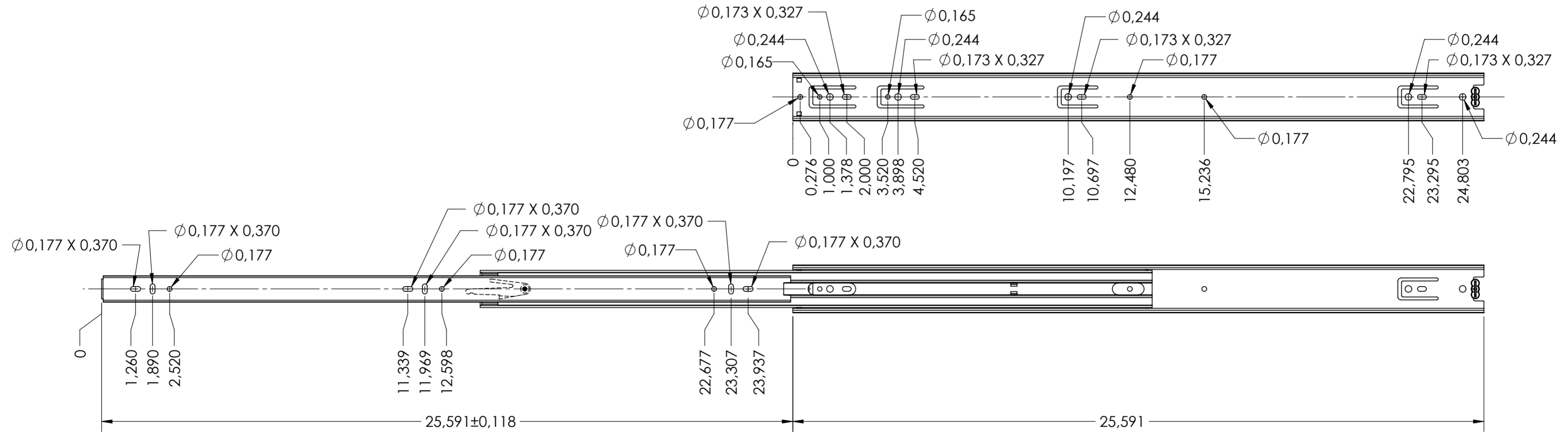


CABINET MOUNTING HOLES



RECOMMENDED HARDWARE:

CABINET- 3.5mm SPAX M4 BUTTON HEAD OR #8 TRUSS HEAD SCREW

DRAWER- 3.5mm SPAX M4 BUTTON HEAD OR #8 TRUSS HEAD SCREW

general tolerances		DIN ISO 128-30 missing dimensions see 3D = theor. intersection	
ISO 2768-m			
This drawing remains our property and may not be multiplied neither be disclosed to third parties (§§1,3 and 5 from the copyright Act (UrhG))			
covered according to DIN ISO 16016		scale:	surface:
		1:3	
		date	name
		drawn 15-10-2019	HB
		proven 00-00-0000	00
		Fulterer	
		Fulterer AG & Co KG A-6890 Lustenau / Austria	
		Fulterer AG CH-9430 St. Margrethen	
		drawing number: 5045.650-GA.C000A	
		replaces version date:	
(k)			
(l)			
(m)			
(n)			
(o)			
(p)			
(q)			
(r)			
(s)			
(t)			
(u)			
(v)			
(w)			
(x)			
(y)			
(z)			
ind.	changes	date	na.