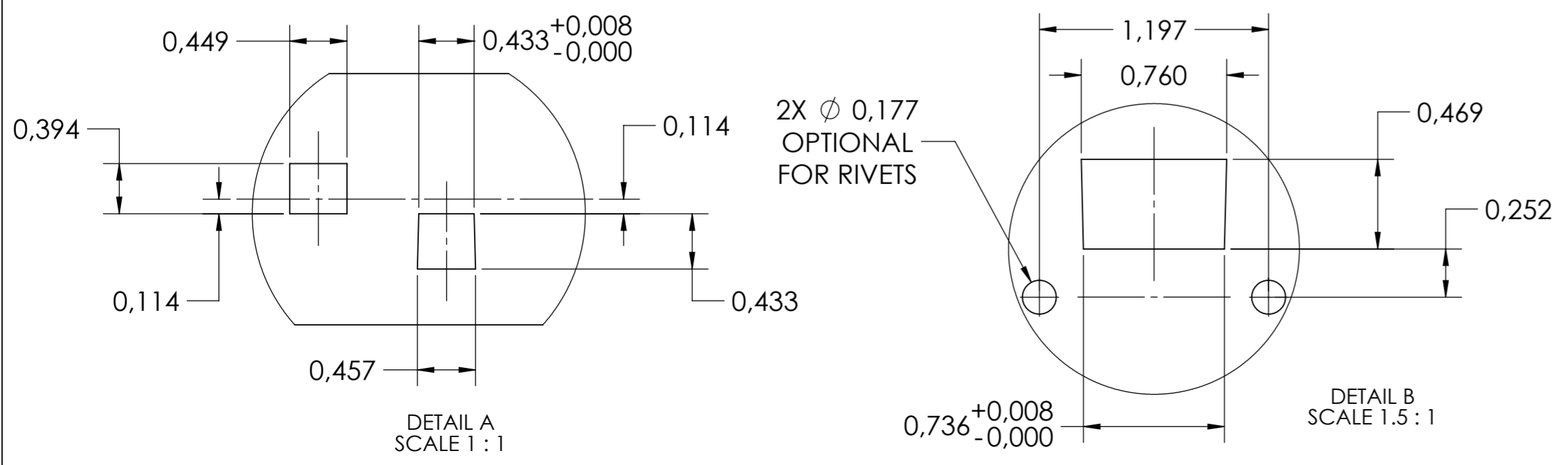
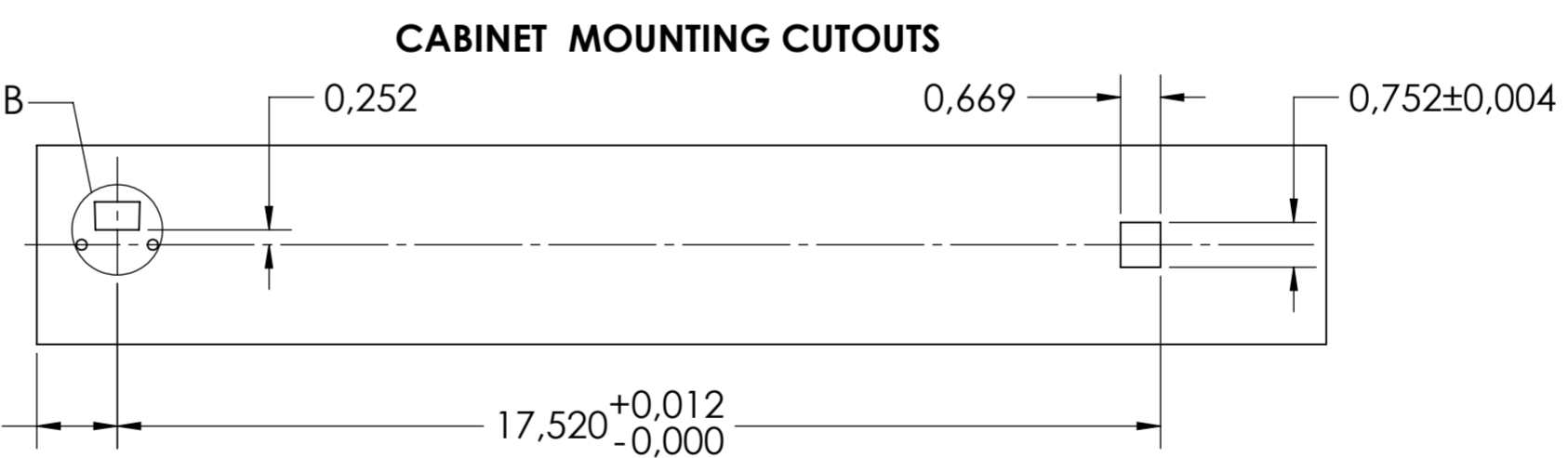
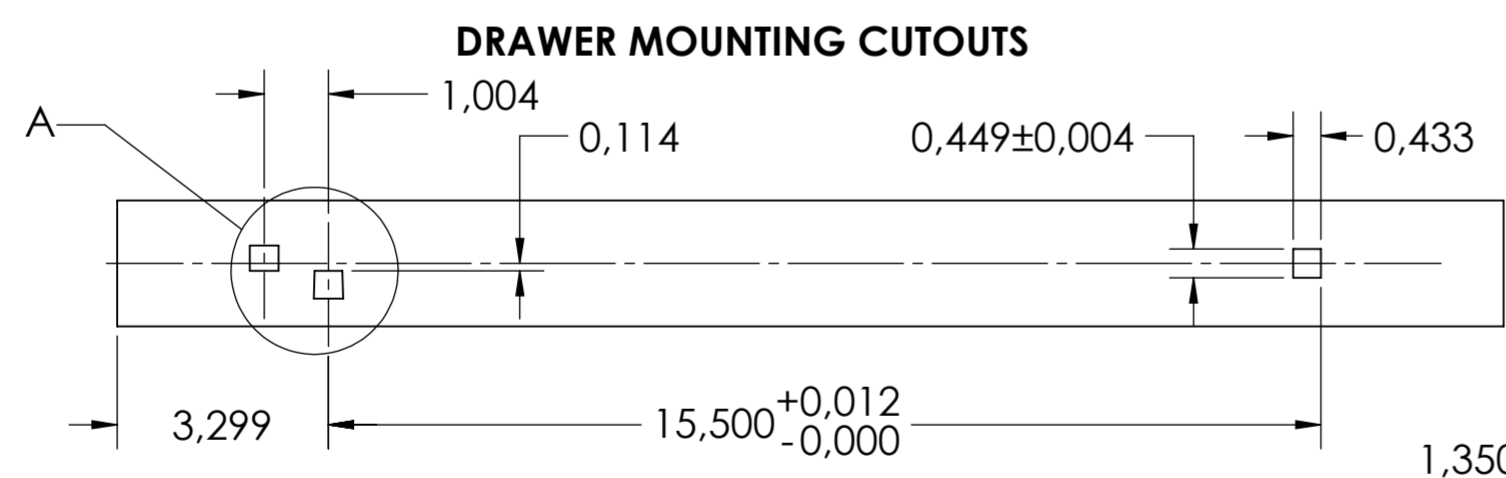
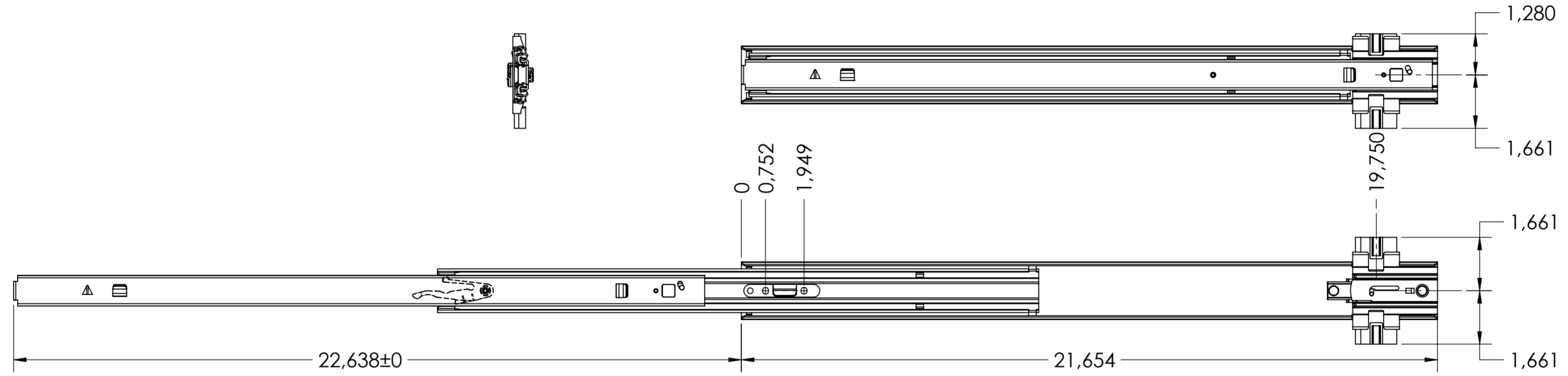
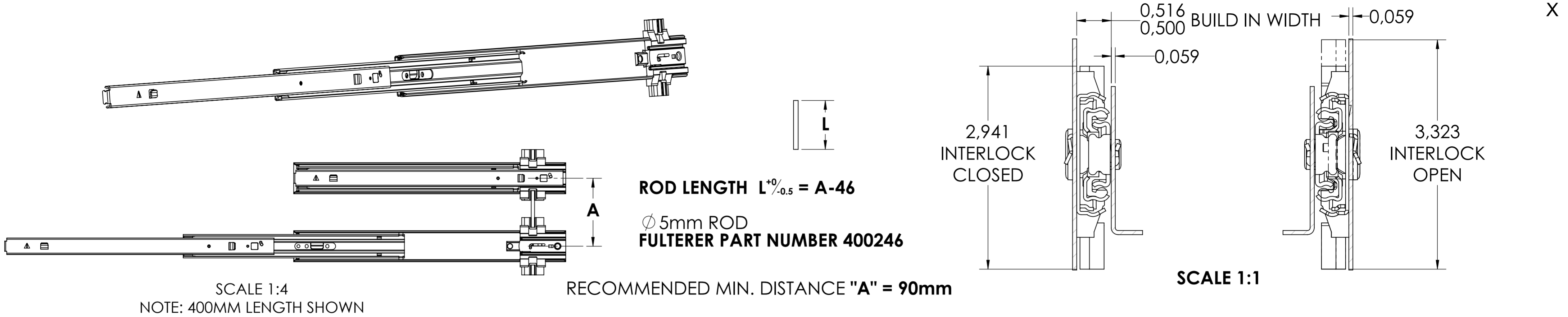


5019.550-GA.T120



general tolerances		DIN ISO 128-30 missing dimensions see 3D = theor. intersection	
ISO 2768-m			
This drawing remains our property and may not be multiplied neither be disclosed to third parties (§§1,3 and 5 from the copyright Act (UrhG)) covered according to DIN ISO 16016			
(k)	scale:	1:3	surface:
(l)	date	05-06-2019	name
(m)	drawn	HB	00
(n)	proven	00-00-0000	00
(o)	Fulterer		material, semi finished parts:
(p)			STEEL
(q)	Fulterer AG & Co KG A-6890 Lustenau / Austria		(technical requirements Fulterer)
(r)	Fulterer AG CH-9430 St. Margrethen		description: SIDE MOUNT OVER EXTENSION SMT (1.5) INTERLOCKING SLIDE WITH DRAWER DISCONNECT
(s)	drawing number:		A2
(t)	5019.550-GA.T120		
(u)	replaces version date:		
(v)	ind.	changes	date
(w)	na.	00-00-0000	0