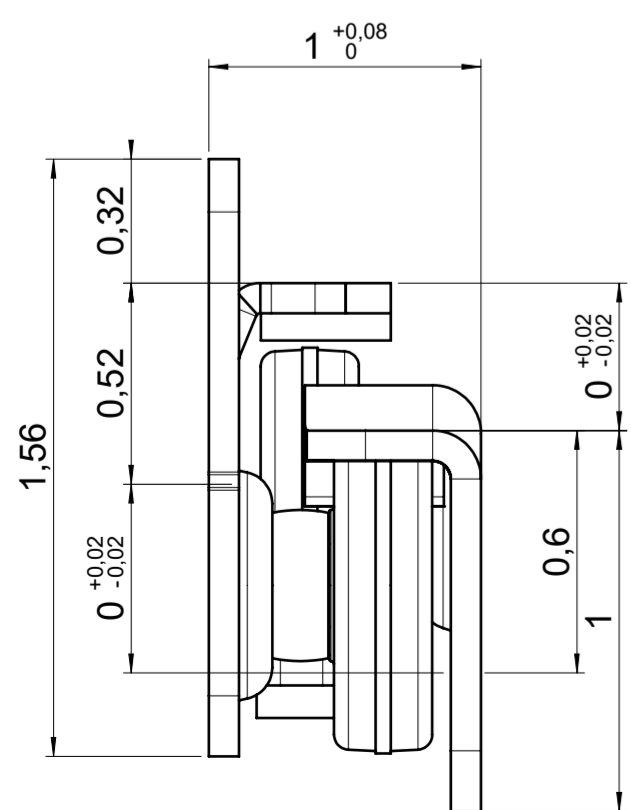
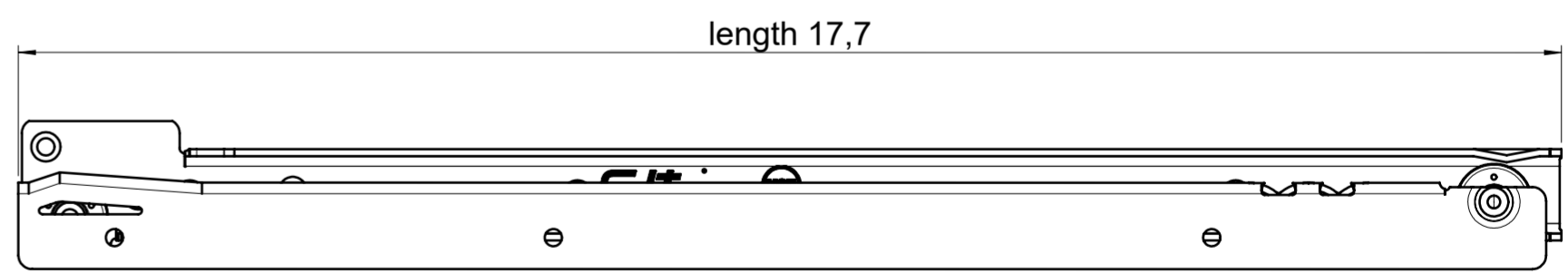
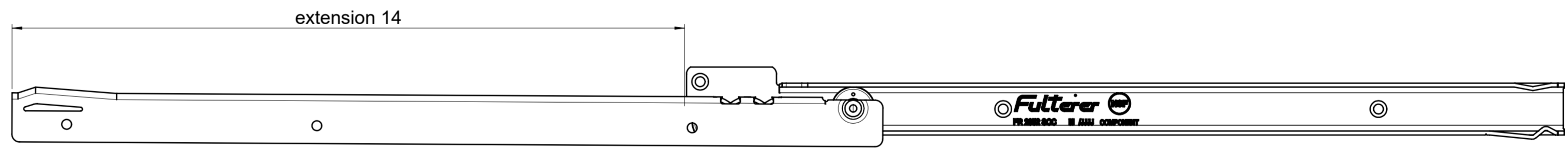
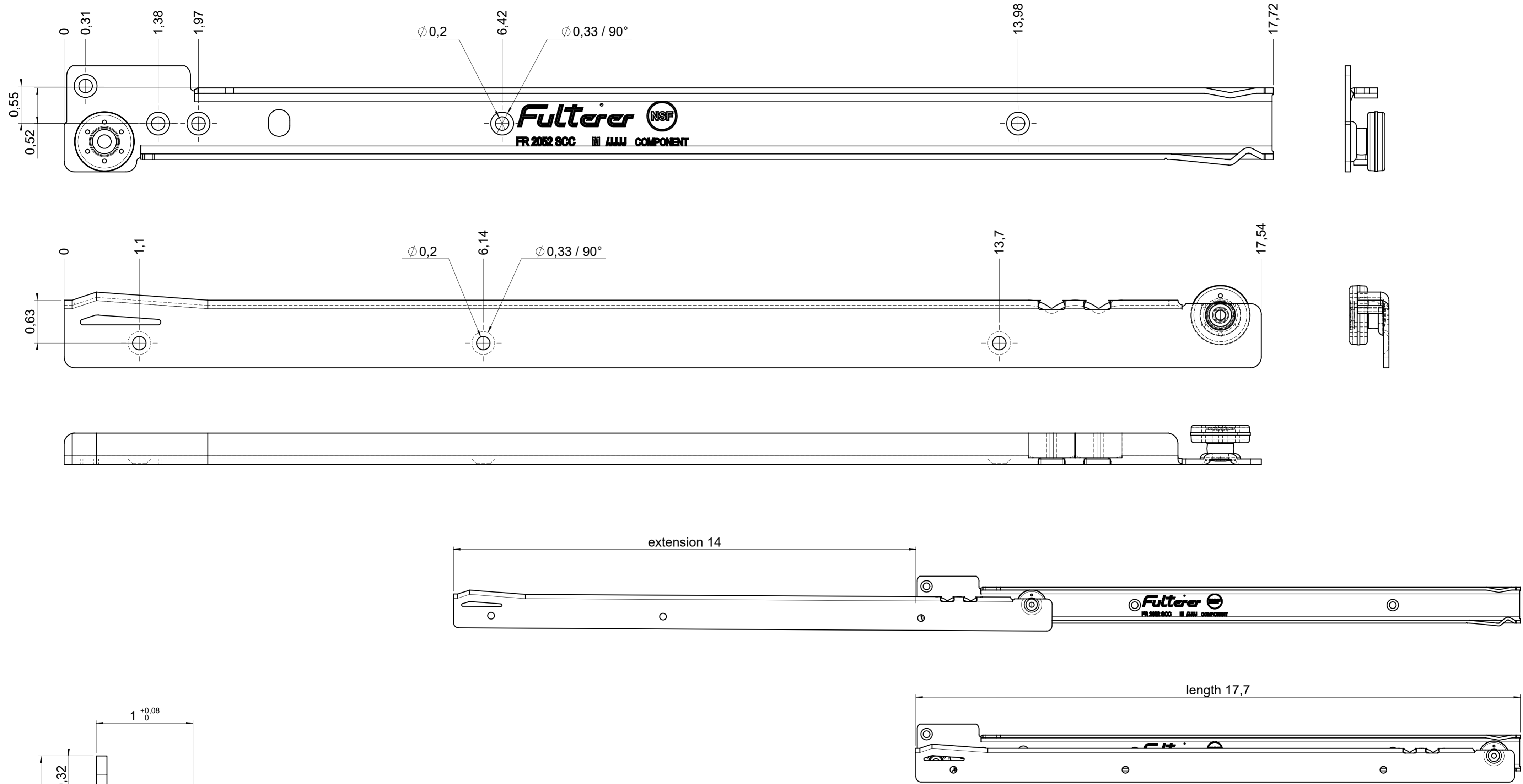


drawn left



final approval

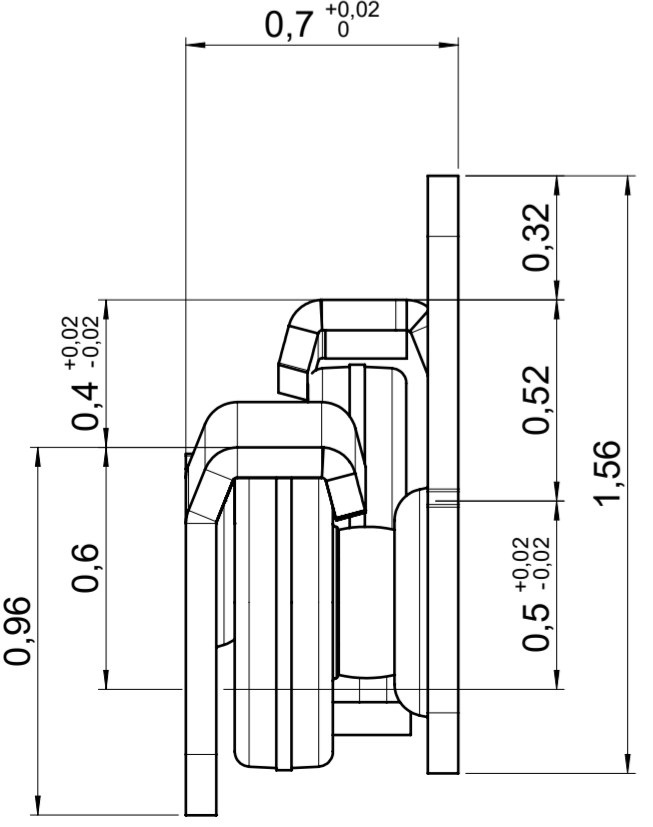
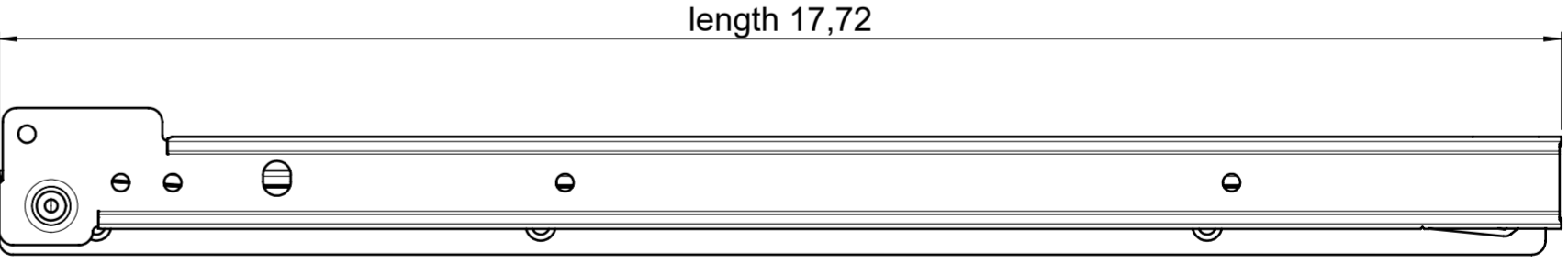
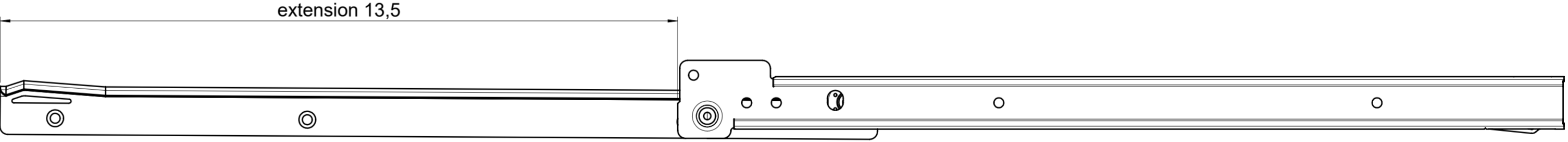
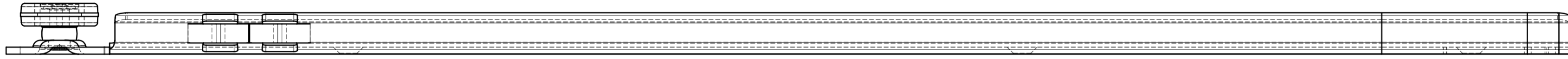
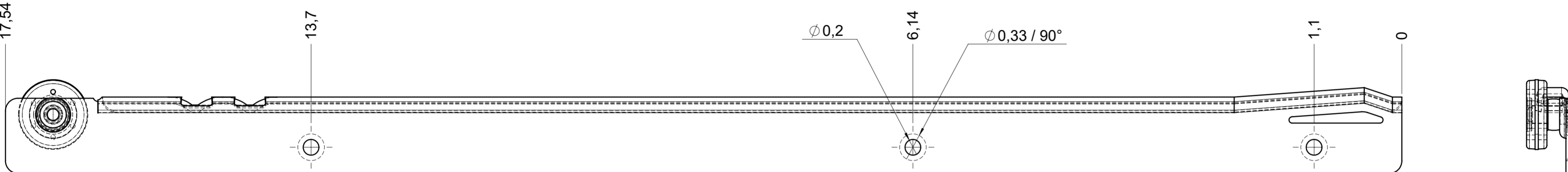
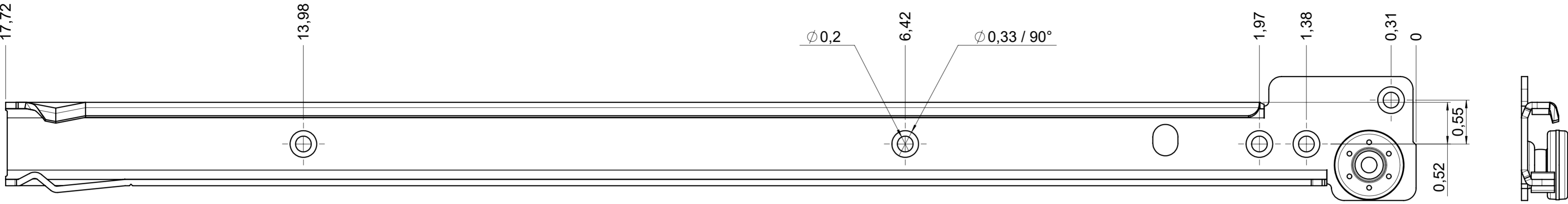
customer name:

signed by:

date:

all dimensions in inch				DIN ISO 128-30 missing dimensions see 3D = theor. intersection	
This drawing remains our property and may not be multiplied neither be disclosed to third parties (§§1,3 and 5 from the copyright Act (UrhG)) covered according to DIN ISO 16016					
scale: 1:1		surface:		material, semi finished parts: CS (technical requirements Filterer)	
drawn	01-02-2023	date	name	description: FR 1052 / 45 CS EN (inch) regular-extension drawerside / side mount	
proven	01-03-2023	date	name	drawing number: CS# 1052.450-GA.0000.li	
				replaces version date:	
Filterer AG & Co KG A-6890 Lustenau / Austria Filterer AG CH-9430 St. Margrethen					
ind.	changes	date	na.		

drawn right



final approval

customer name:

signed by:

date:

all dimensions in inch			DIN ISO 128-30 missing dimensions see 3D = theor. intersection	
This drawing remains our property and may not be multiplied neither be disclosed to third parties (§§1,3 and 5 from the copyright Act (UrhG)) covered according to DIN ISO 16016				
scale: 1:1		surface:		A2
date: 01-02-2023		name: ex		material, semi finished parts: CS (technical requirements Fulterer)
proven: 01-03-2023		pr		
		description: FR 1052 / 45 CS EN (inch) regular-extension drawerside / side mount		drawing number: CS# 1052.450-GA.0000.re replaces version date:
Fulterer AG & Co KG A-6890 Lustenau / Austria Fulterer AG CH-9430 St. Margrethen				
ind.	changes	date	na.	