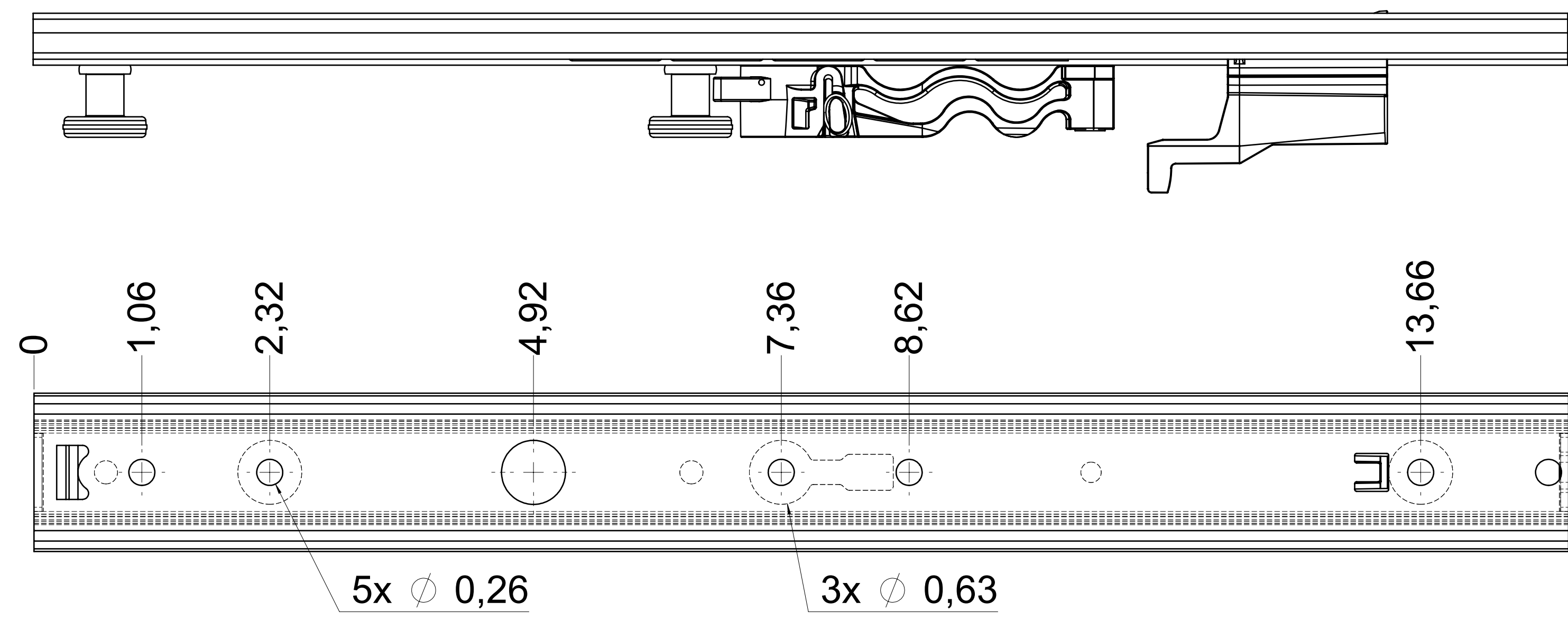
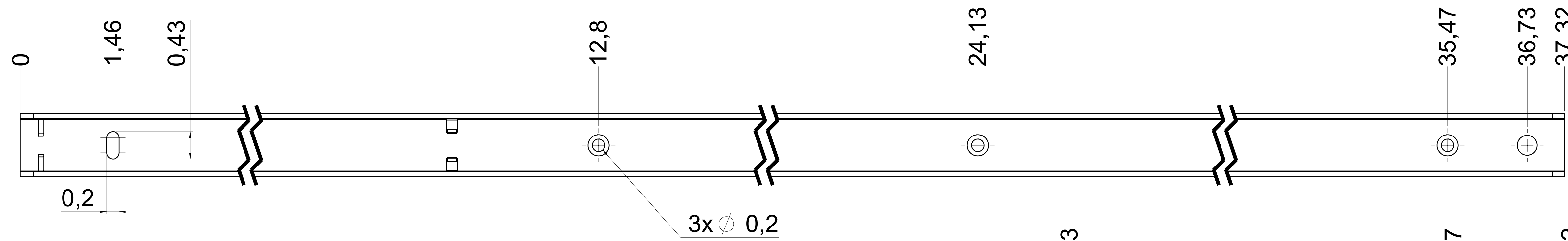


dimensions without coating / maximum coating allowed 0.1mm

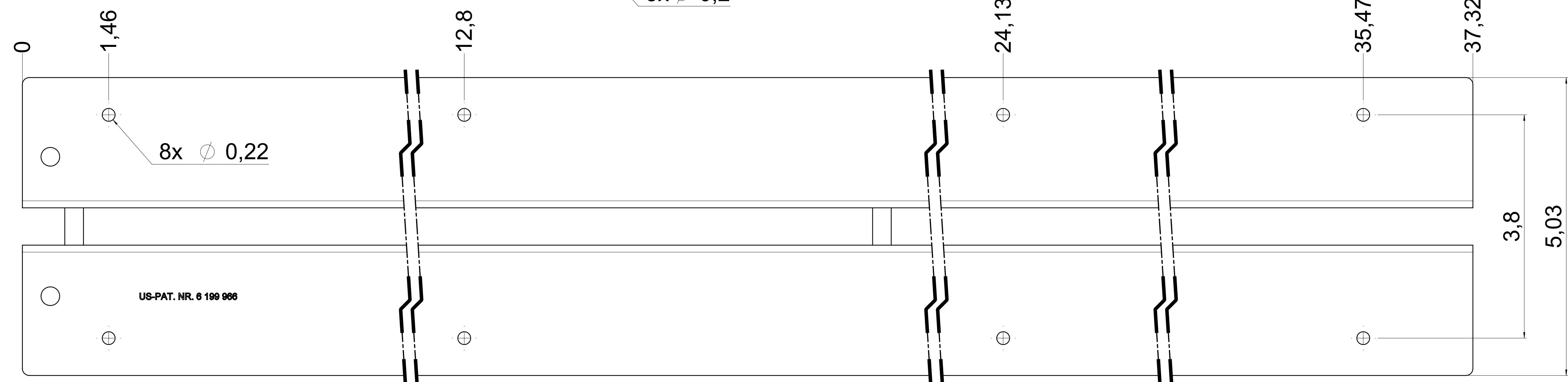
top guide cabinet profile



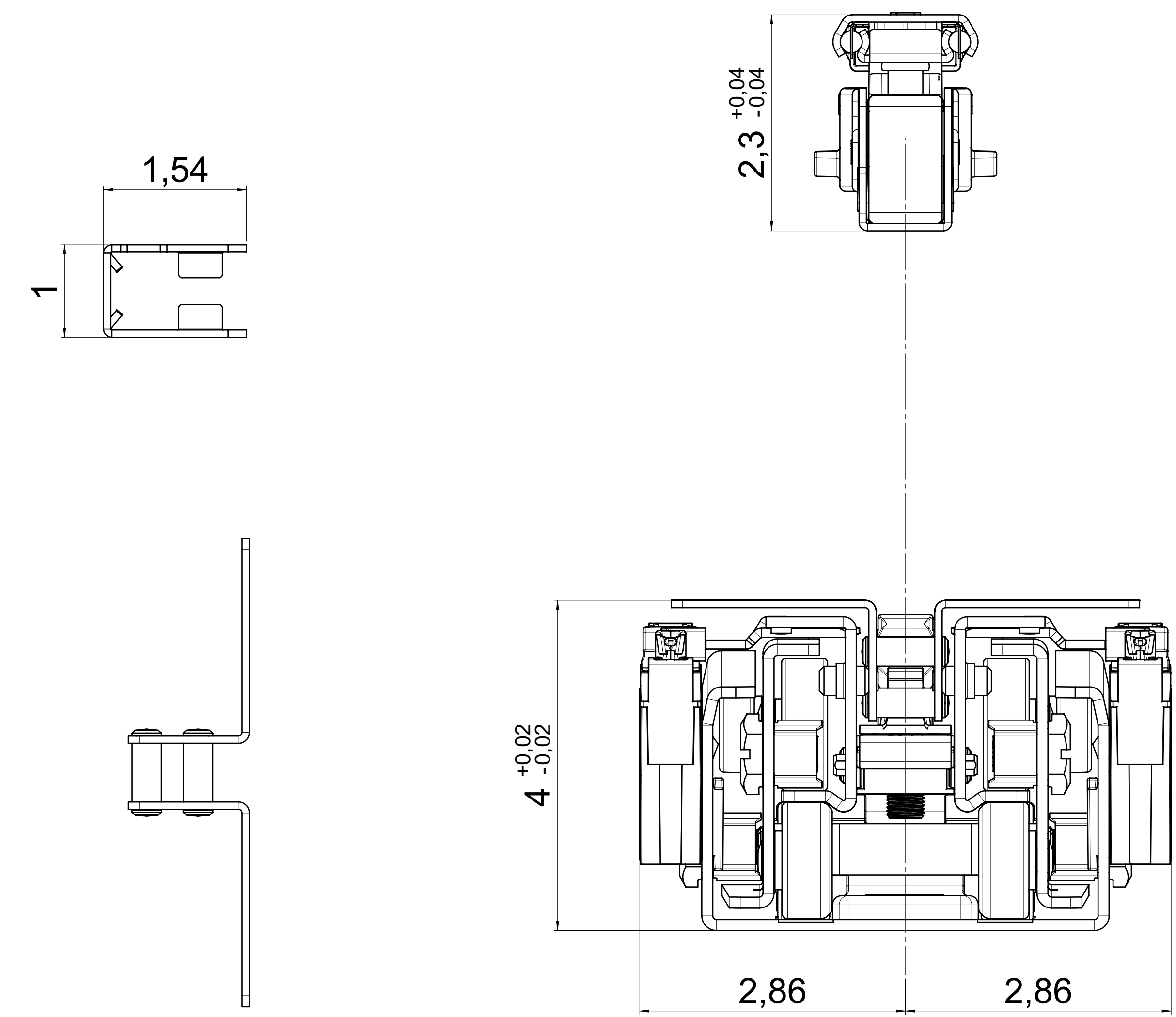
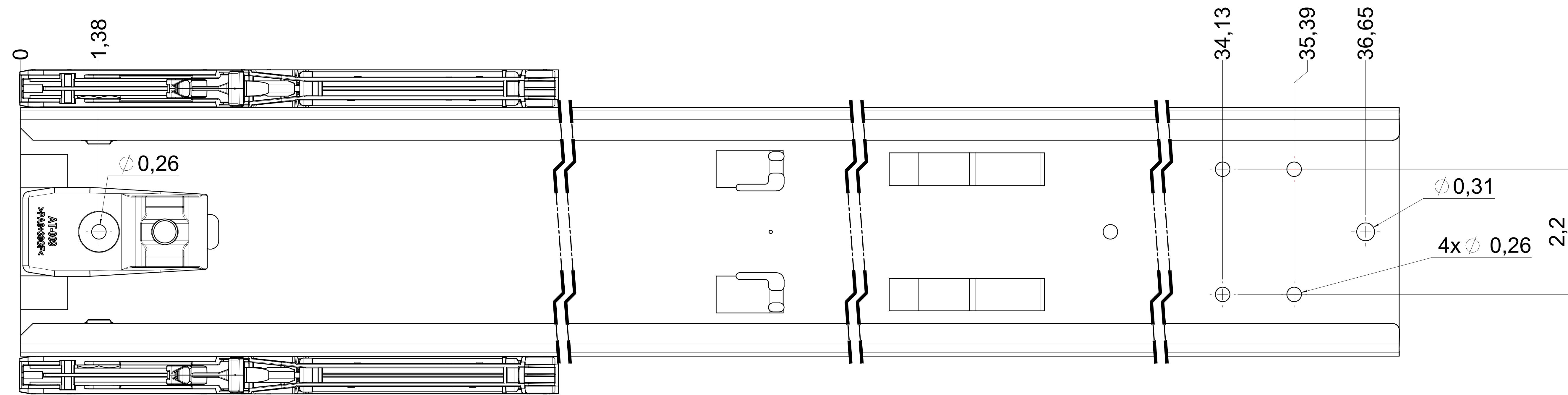
top guide drawer profile



bottom guide drawer profile



bottom guide cabinet profile

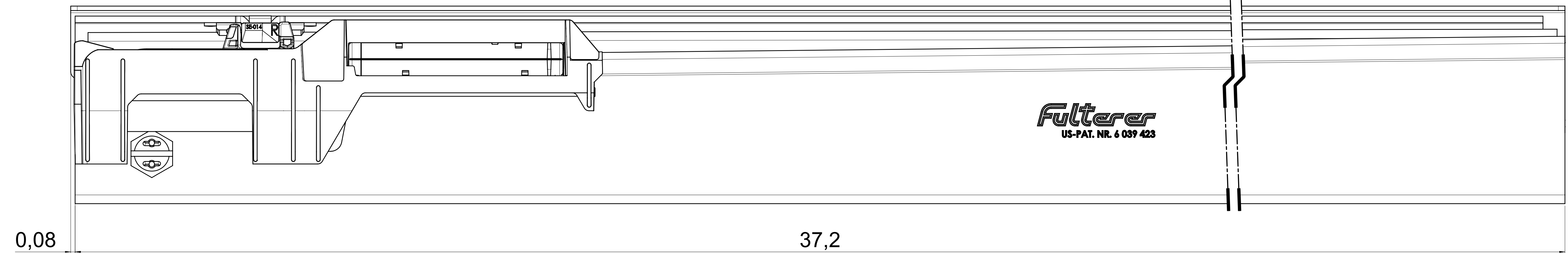
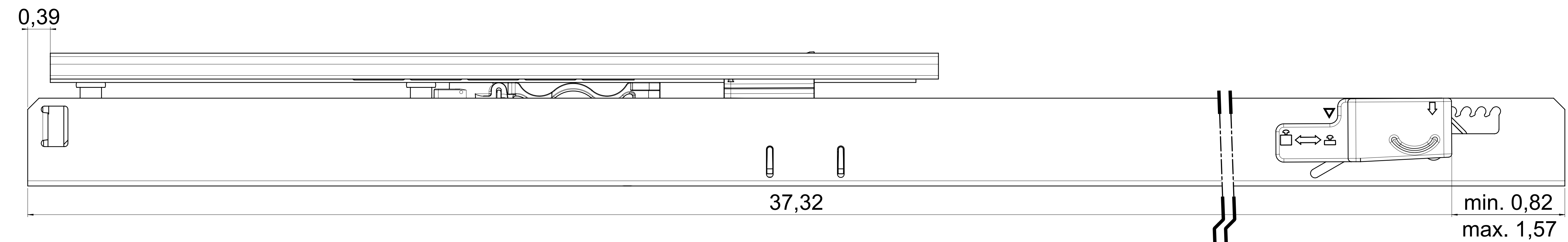
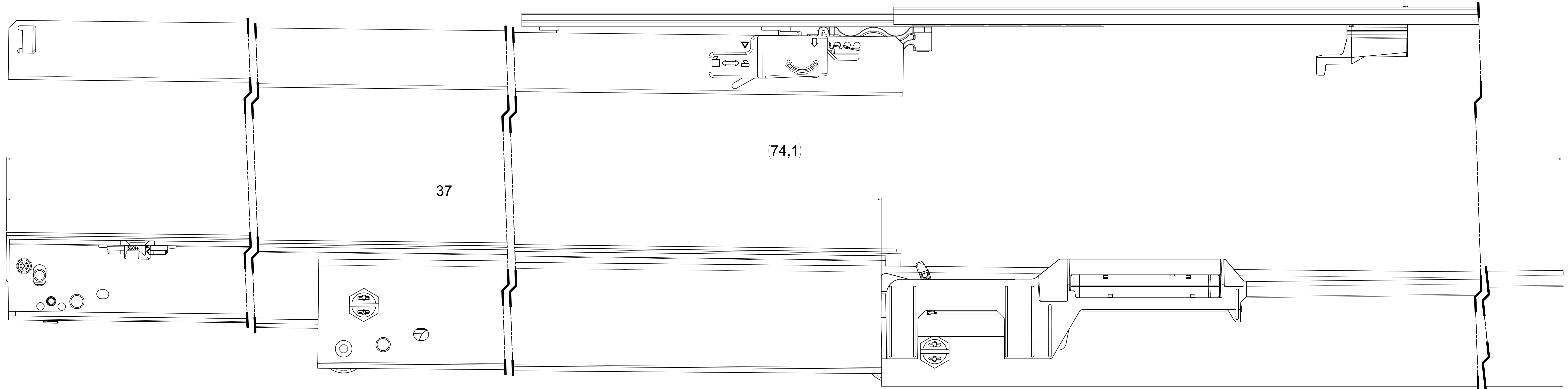


final approval
 customer name:
 signed by:
 date:

<p>all dimensions in inch</p> <p>This drawing remains our property and may not be multiplied neither be disclosed to third parties (§§1,3 and 5 from the copyright Act (UrHGO)) covered according to DIN ISO 15015</p>		<p>DIN ISO 128-30 missing dimensions see 3D = theor. intersection</p>	
scale:	1:1	surface:	steel (technical requirements Filterer)
material:	semi finished parts	description:	FR 777A / 95 - EN (inch) progressive-action full-extension drawerslide / bottom mount
date:	21-11-2021	name:	GB
drawn:		proven:	00-00-0000 00
<p>Filterer</p> <p>Filterer AG & Co KG A-6890 Lustenau / Austria CH-8430 St. Margrethen</p>		<p>drawing number: 777A.950-GA.0000 replaces version 03/16</p>	
changes:	date:	na:	incl:tda

dimensions without coating / maximum coating allowed 0.1mm

X



final approval
 customer name:
 signed by:
 date:

page 2 of 2

= check dimension , next free check number = theor. intersection

all dimensions in inch

This drawing remains our property and may not be disclosed to third parties (§§1,3 and 5 from the copyright Act (UrhG)) covered according to DIN ISO 15016

scale:	1:1	surface:	steel
material:	semi finished parts		
drawn:	21-11-2021	name:	GB
proven:	00-00-0000	description:	FR 777A / 95 - EN (inch)
			progressive-action full-extension
			drawerslide / bottom mount
			drawing number:
			777A.950-GA.0000
			replaces version GB16:

Filterer AG & Co KG
 A-6800 Lustenau / Austria
 Filterer AG
 CH-8430 St. Margrethen

changes date na.

Created: 01. Januar 2021 14:37:27
 Inhaber: Heidegger