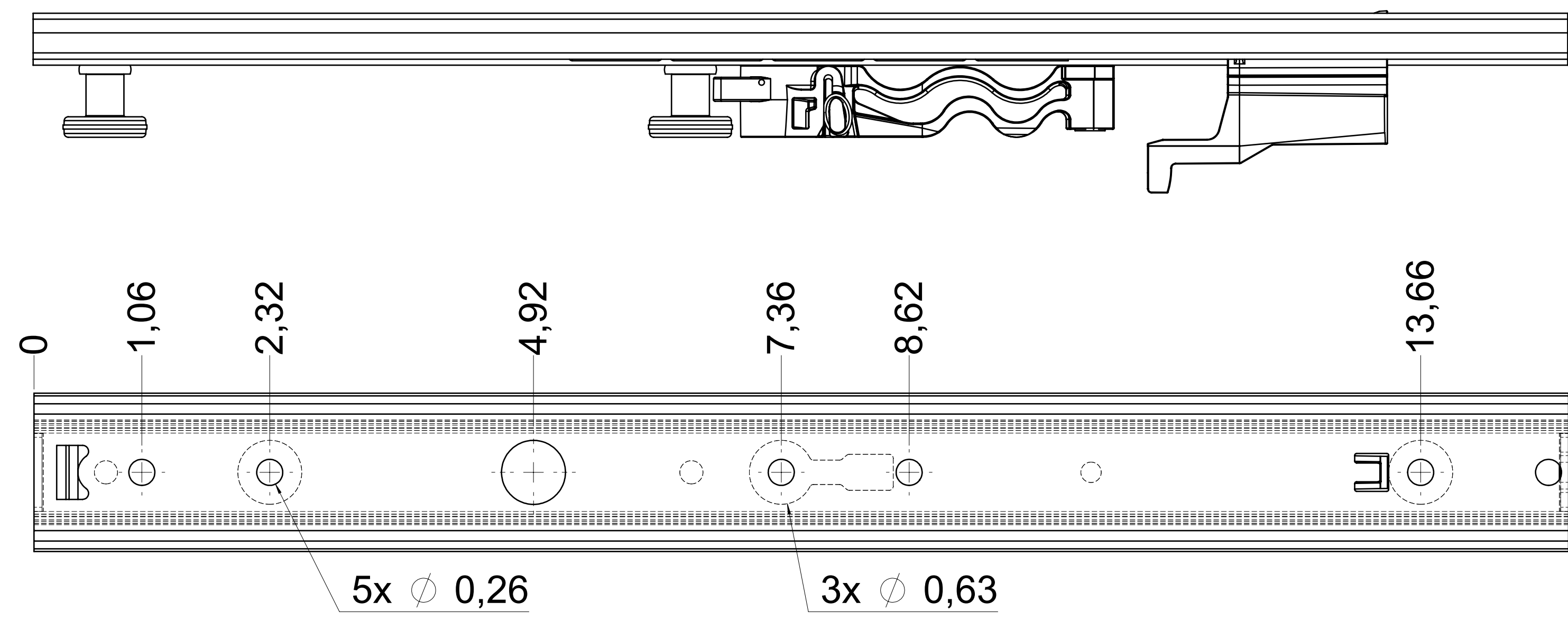
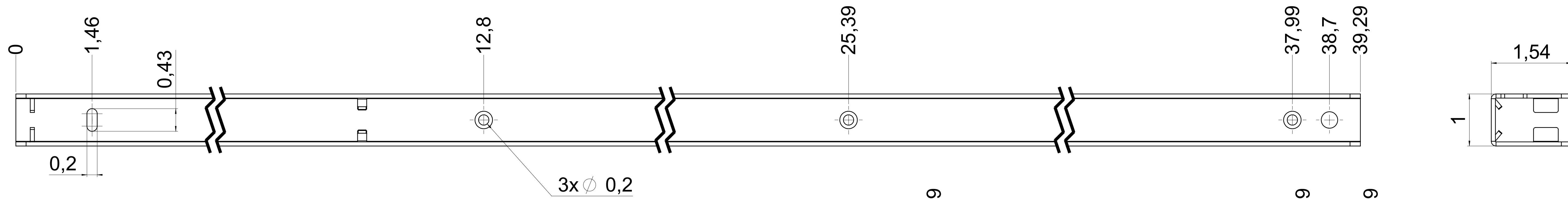


dimensions without coating / maximum coating allowed 0.1mm

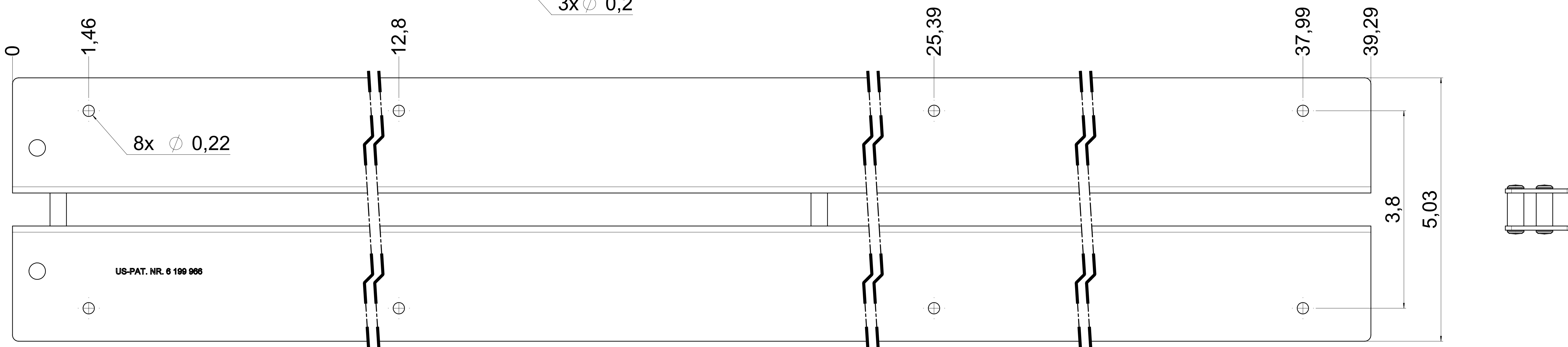
top guide cabinet profile



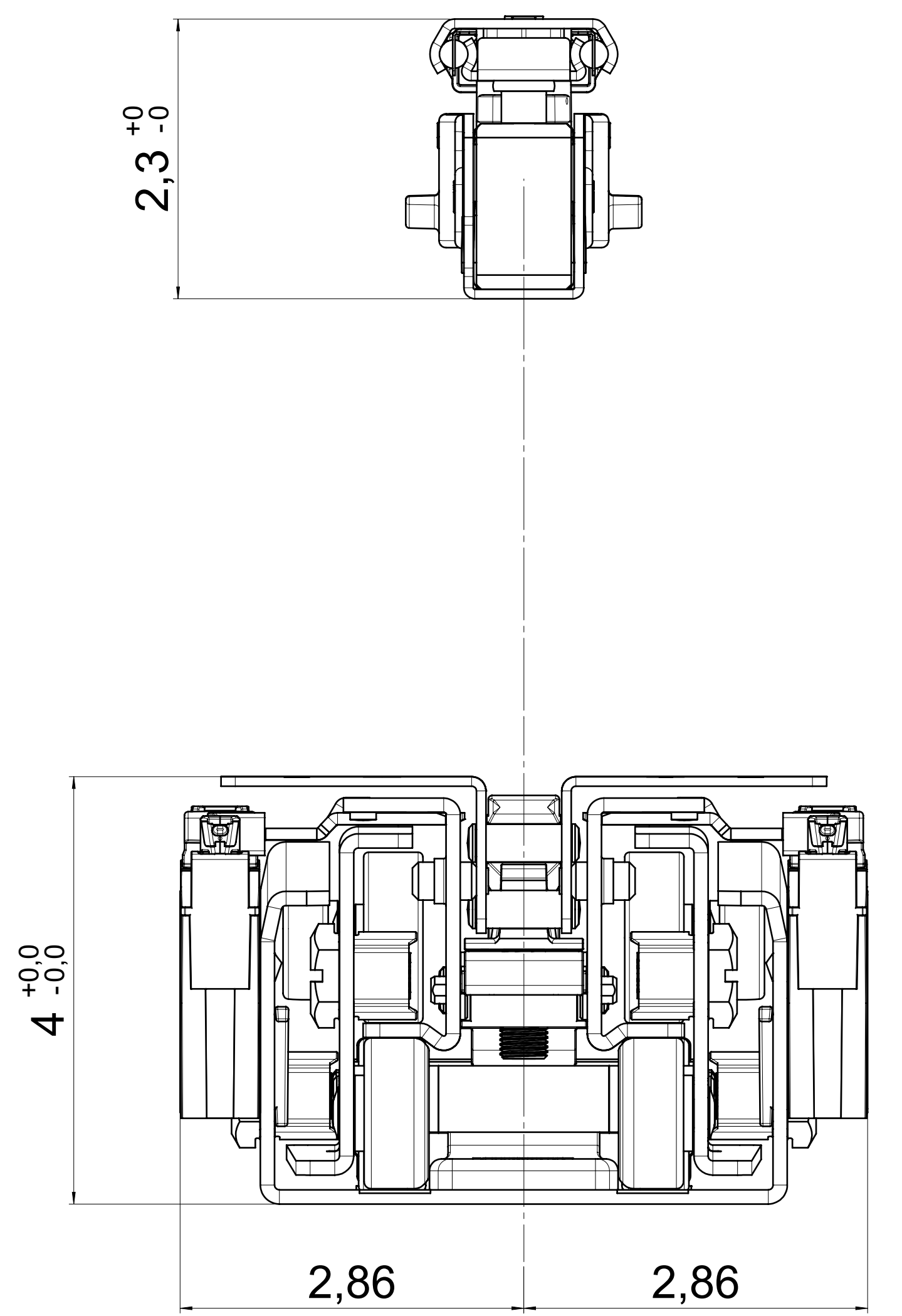
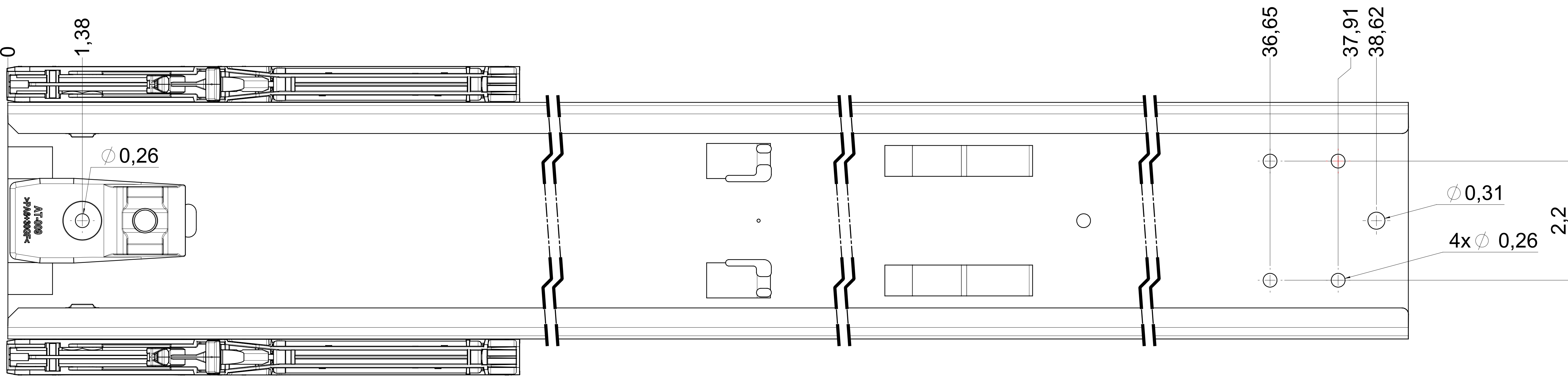
top guide drawer profile



bottom guide drawer profile



bottom guide cabinet profile



final approval

customer name:

signed by:

date:

all dimensions in inch

This drawing remains our property and may not be disclosed to third parties (§§1,3 and 5 from the copyright Act (UrhG)). covered according to DIN ISO 15015

scale:	1:1	surface:	steel
material:	semi finished parts		
drawn:	21-11-2021	name:	GB
proven:	00-00-0000	description:	FR 777A / 100 EN (inch) progressive-action full-extension drawerslide / bottom mount
		drawing number:	777A.1000-GA.0000
		replaces version:	03/02

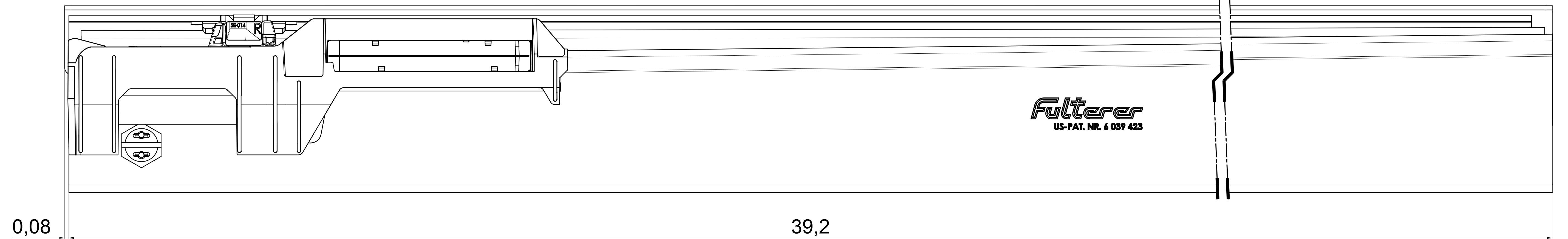
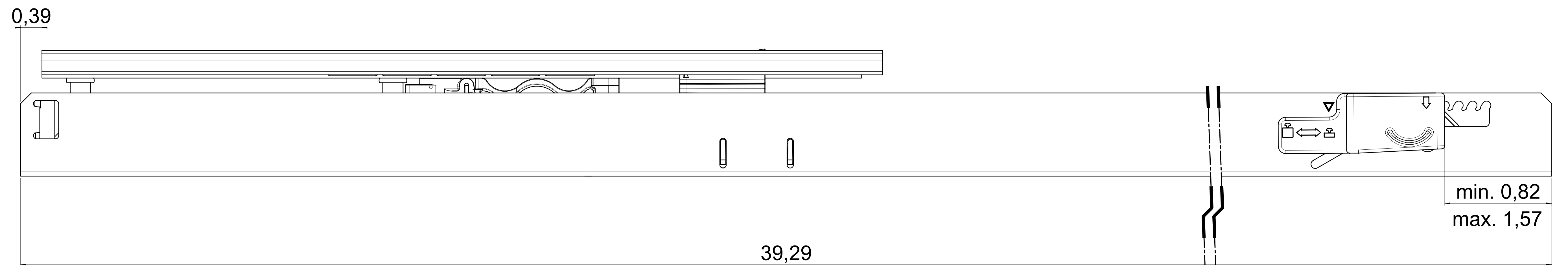
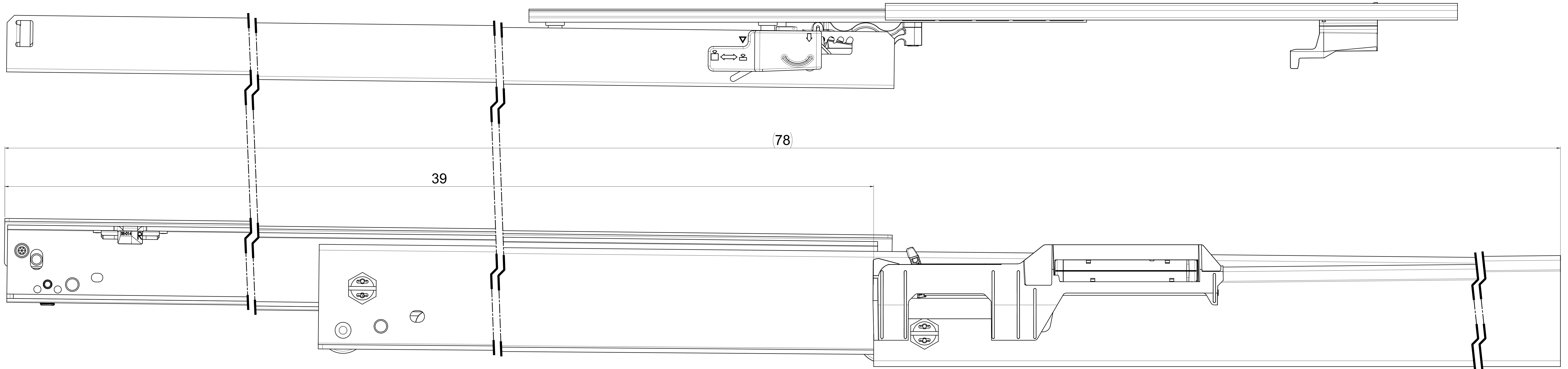
Filterer
Filterer AG & Co KG
A-6890 Lustenau / Austria
CH-8430 St. Margrethen

changes: date: na.

Copyright © 2021 Filterer AG

dimensions without coating / maximum coating allowed 0.1mm

X



final approval

customer name:

signed by:

date:

⚠ = check dimension , next free check number ⚠

all dimensions in inch				DIN ISO 128-30 missing dimensions see 3D = theor. intersection	
This drawing remains our property and may not be multiplied neither be disclosed to third parties (§§1,3 and 5 from the copyright Act (UrHG)) covered according to DIN ISO 15016				material: semi finished parts: AO	
scale:	1:1	surface:	steel	(technical requirements Filterer)	
drawn:	21-11-2021	date:	GB	description:	
proven:	00-00-0000	date:	00	FR 777A / 100 EN (inch)	
Filterer				progressive-action full-extension drawerslide / bottom mount	
Filterer AG & Co KG A-6800 Lustenau / Austria				drawing number:	
Filterer AG CH-8430 St. Margrethen				777A.1000-GA.0000	
replaces version 03/16				replaces version 03/16	
changes	date	na.			