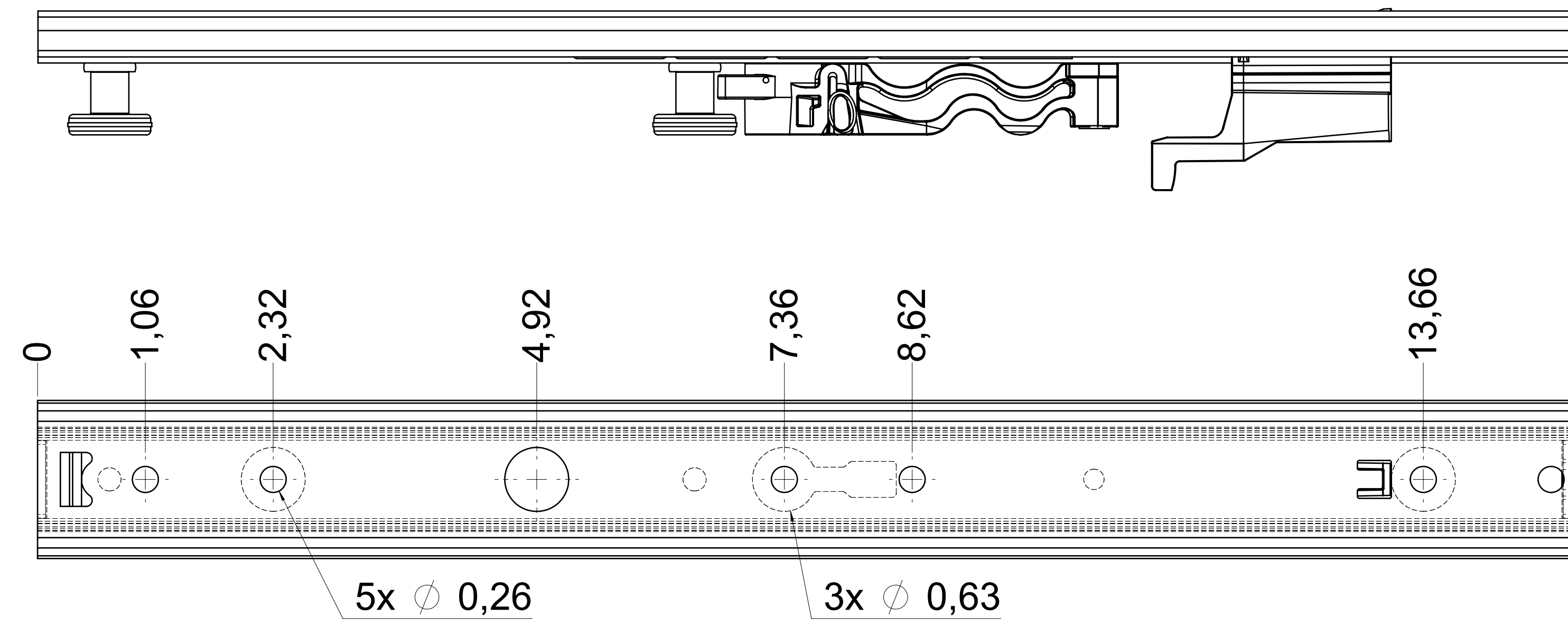
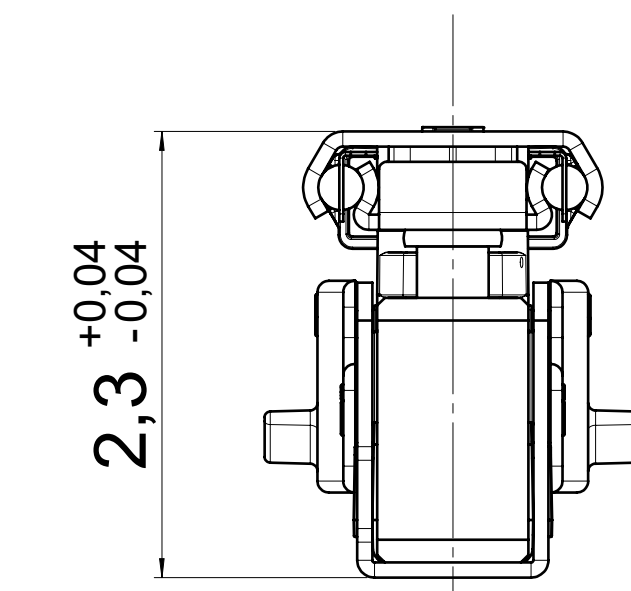
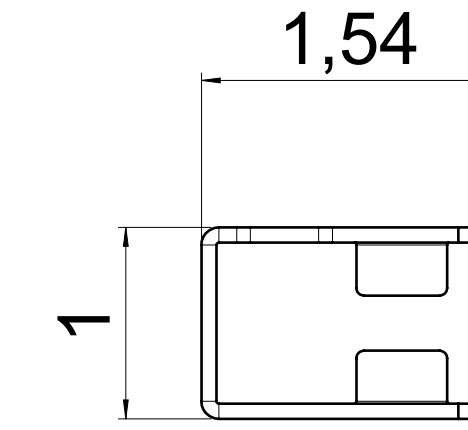
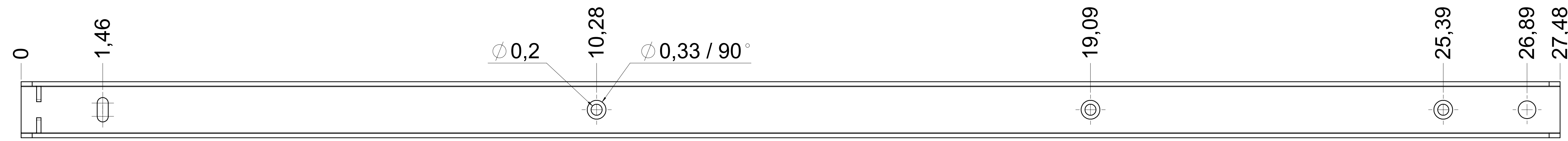


dimensions without coating / maximum coating allowed 0.1mm

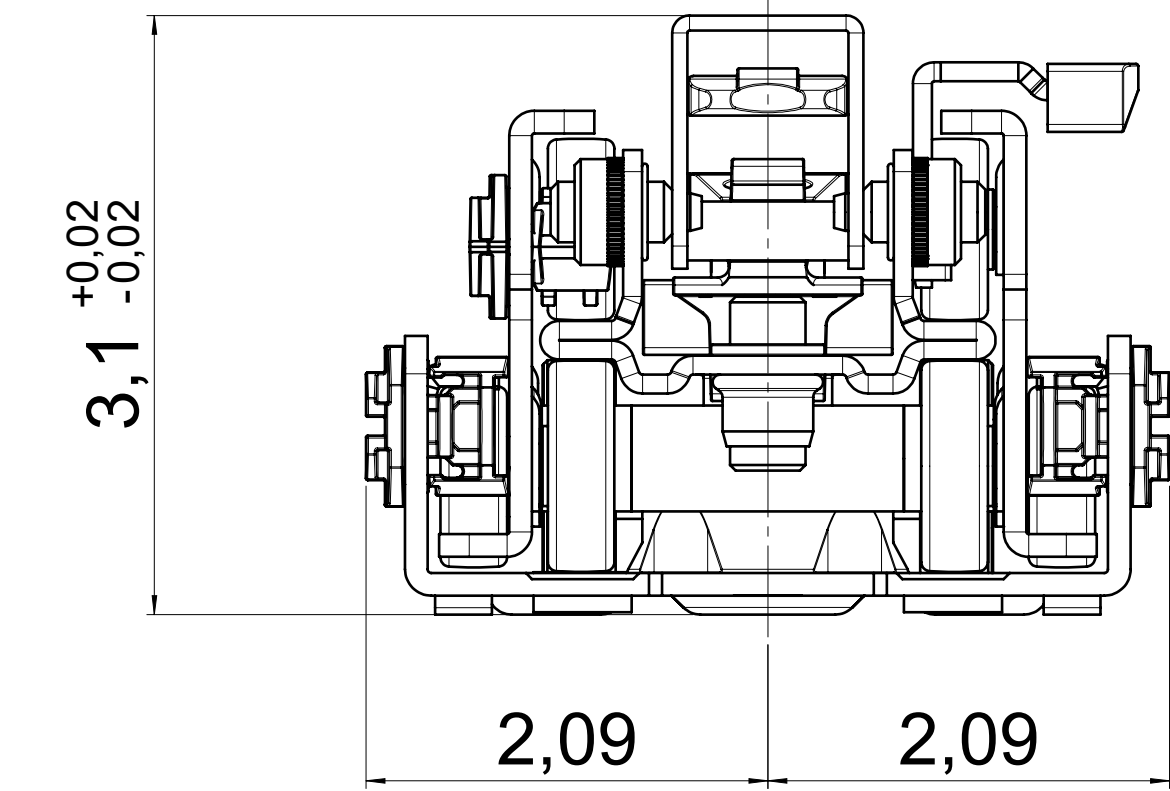
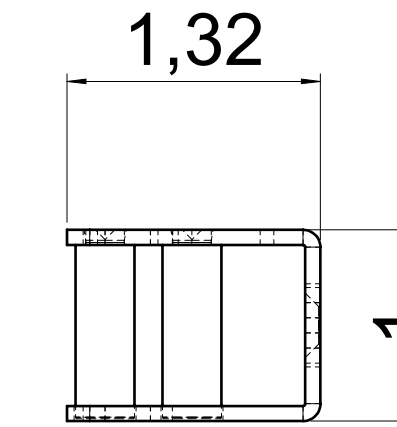
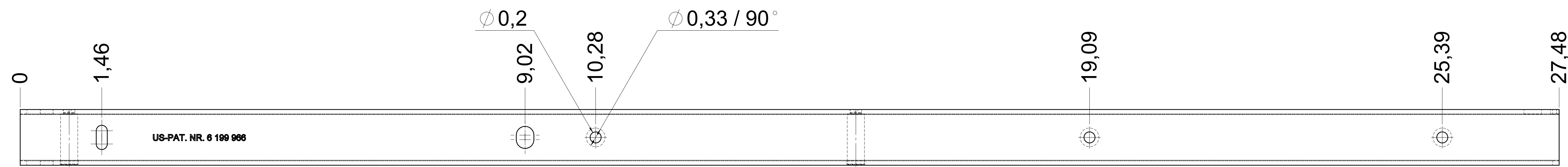
top guide cabinet profile



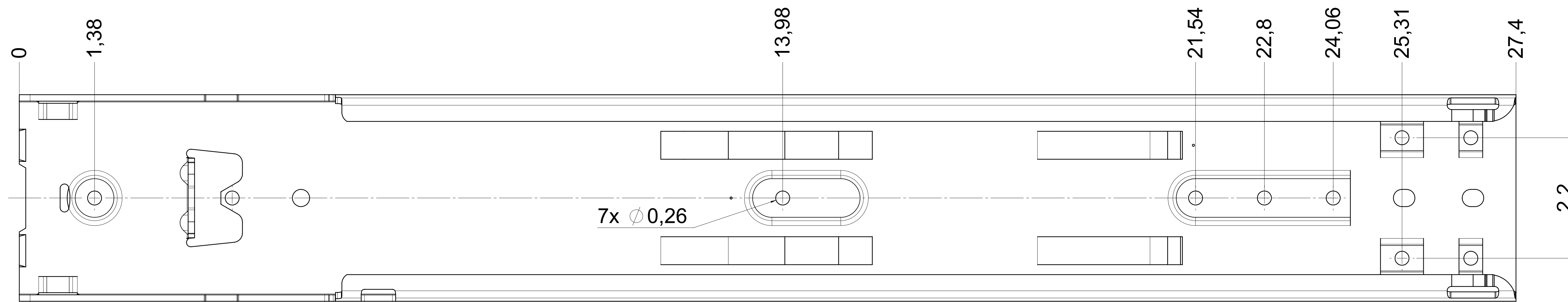
top guide drawer profile



bottom guide drawer profile



bottom guide cabinet profile



final approval

customer name:

signed by:

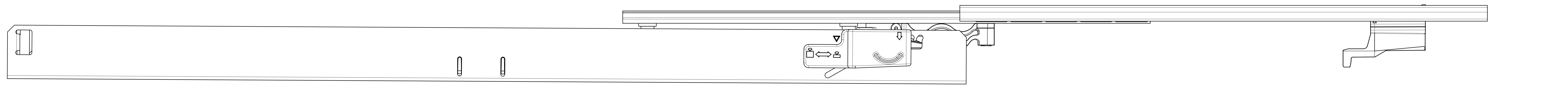
date:

all dimensions in inch

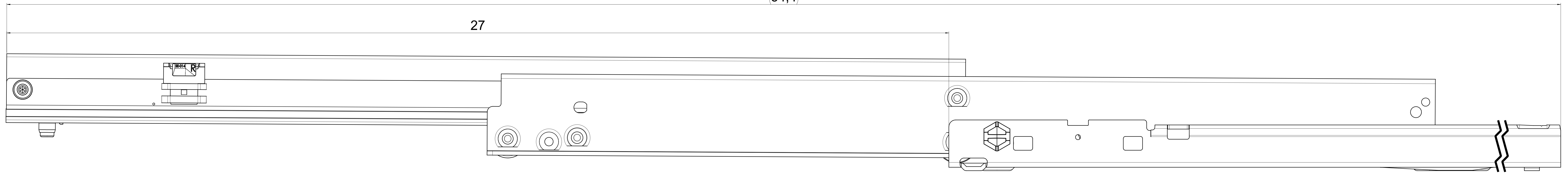
This drawing remains our property and may not be multiplied neither be disclosed to third parties (§§1,3 and 5 from the copyright Act (UrhG)) covered according to DIN ISO 15015		scale: 1:1	surface: steel (technical requirements Filterer)	material: semi finished parts	AO
drawn: 07-12-2022	name: GB	description: FR 771A / 70 - EN (inch) progressive-action full-extension drawerslide / bottom mount	drawing number: 771A.700-GA.0000		
proven: 09-09-2022	name: GB	replaces version 03/16		includes: beabarger	
changes	date	na.	Friday, 05. Februar 2022 16:02:54		

dimensions without coating / maximum coating allowed 0.1mm

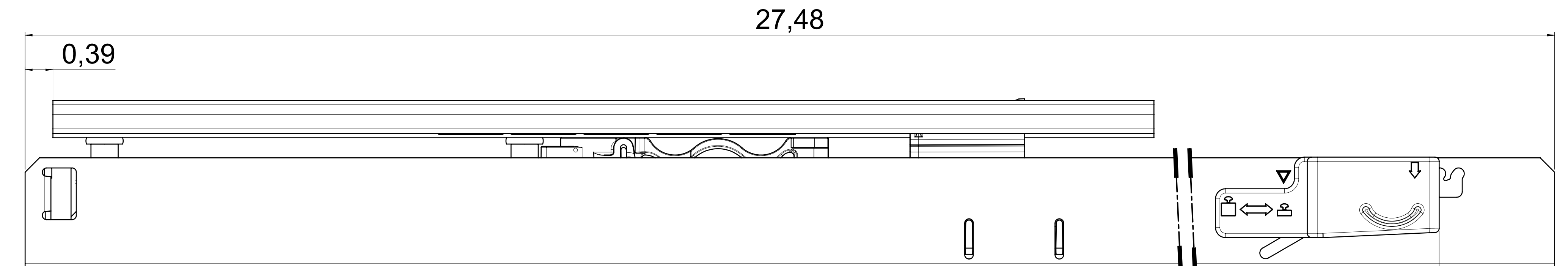
X



54,4



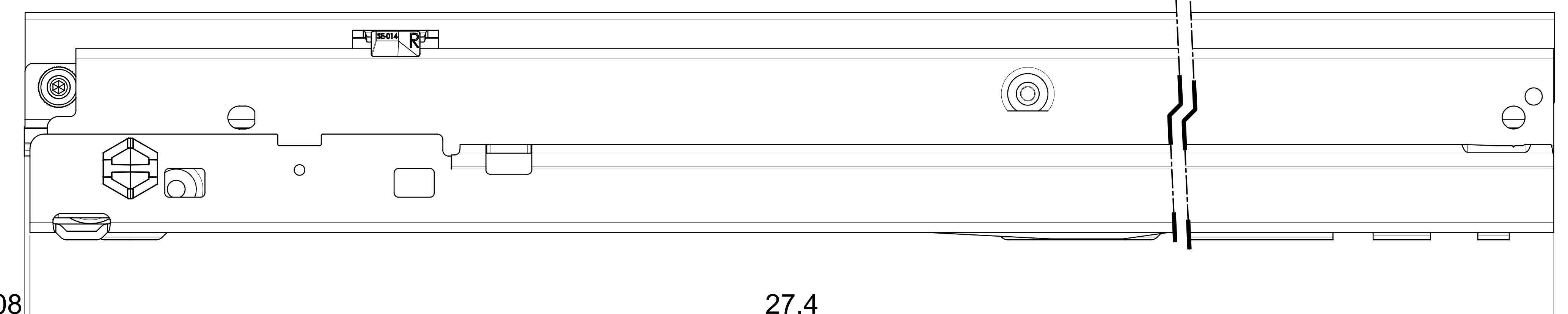
27



27,48

0,39

min. 0,82  
max. 1,6



0,08

27,4

page 2 of 2

⚠ = check dimension , next free check number ⚠

**final approval**

customer name:

signed by:

date:

<b>all dimensions in inch</b>		DIN ISO 128-30 missing dimensions see 3D = theor. intersection	
This drawing remains our property and may not be multiplied neither be disclosed to third parties (§§1,3 and 5 from the copyright Act (UrhG)) covered according to DIN ISO 16016			
scale:	1:1	surface:	steel
material:	semi finished parts	AO	
drawn:	07-12-2022	name:	GB
proven:	00-00-0000	description:	FR 771A / 70 - EN (inch)
		progressive-action full-extension drawerslide / bottom mount	
		<b>Filterer</b>	
Filterer AG & Co KG A-6800 Lustenau / Austria CH-8430 St. Margrethen		drawing number: <b>771A.700-GA.0000</b>	
		replaces version date:	
changes	date	na.	