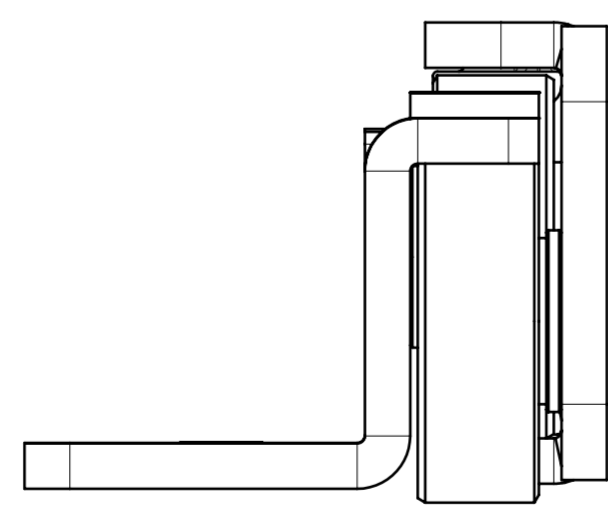
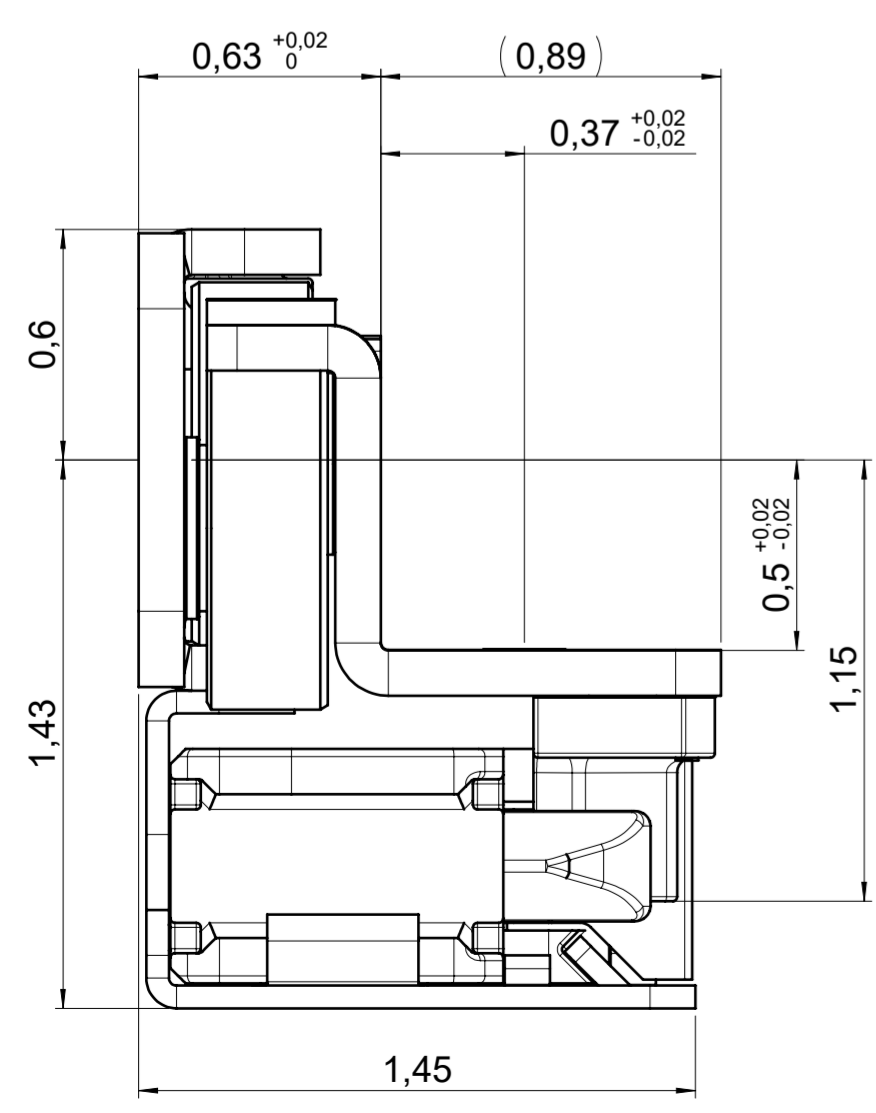
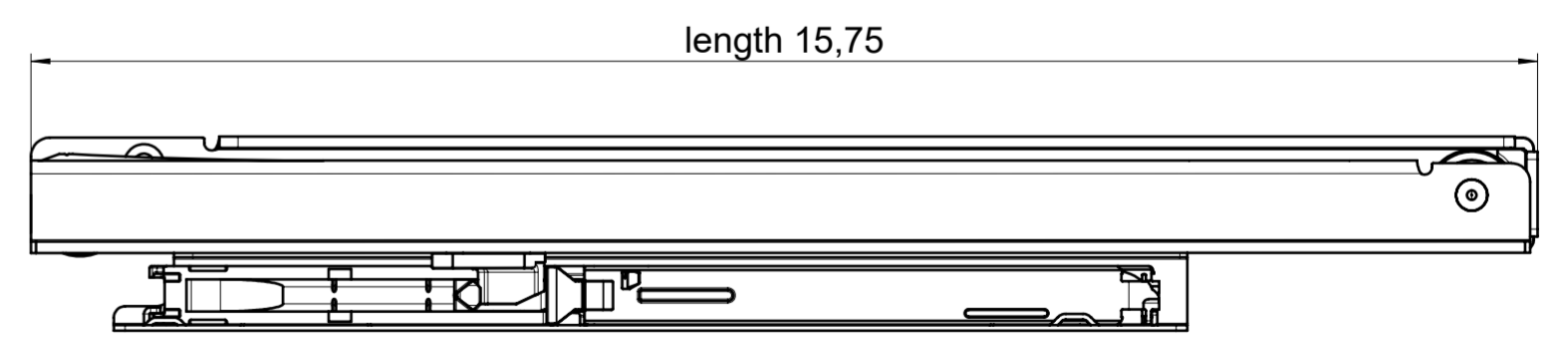
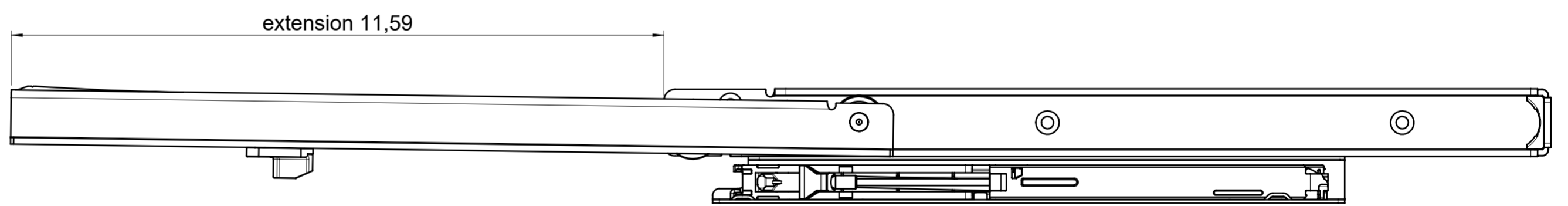
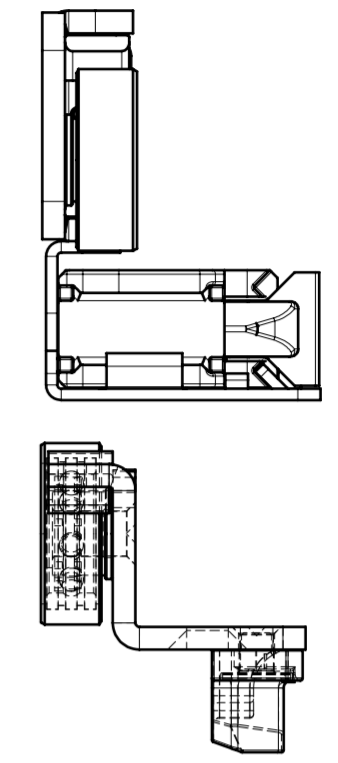
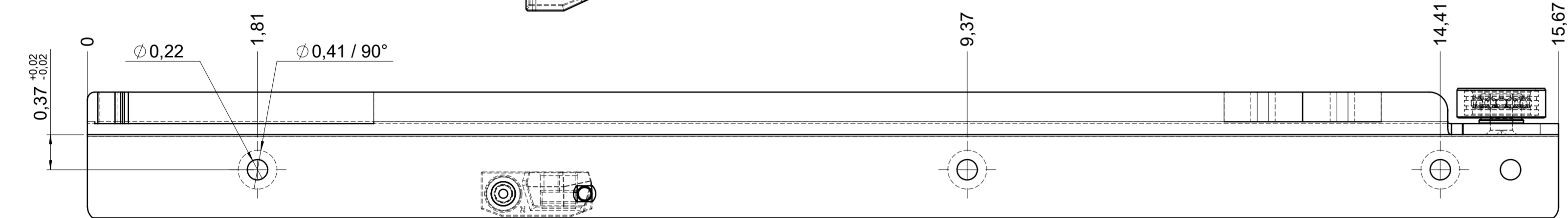
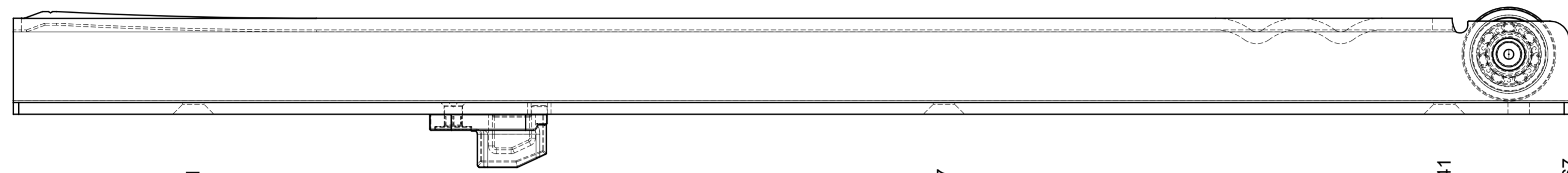
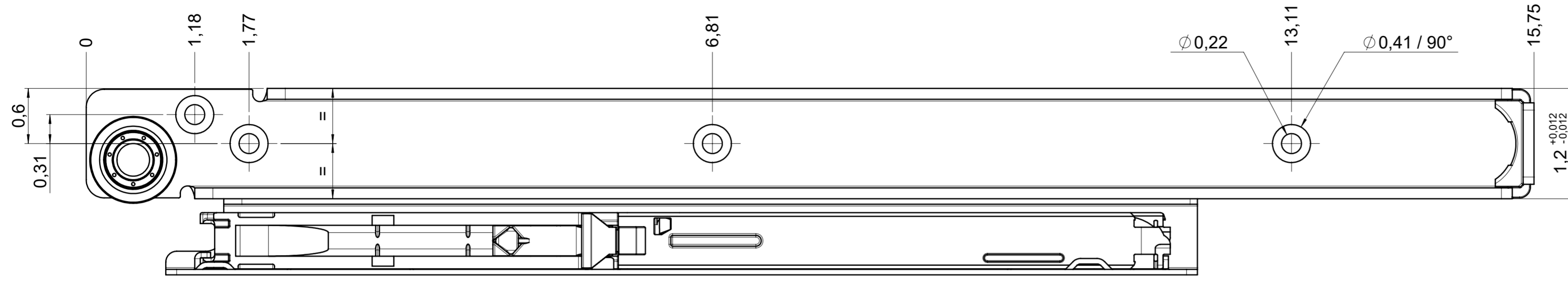


drawn left (right mirrorimage)



right without ECD

left with ECD

final approval

customer name:

signed by:

date:

| | | | | | |
|--|---------|--|-----|---|--|
| all dimensions in inch | | | | DIN ISO 128-30 missing dimensions see 3D ⊕ = theor. intersection | |
| This drawing remains our property and may not be multiplied neither be disclosed to third parties (§§1,3 and 5 from the copyright Act (UrhG)) covered according to DIN ISO 16016 | | | | | |
| scale: 1:1 | | surface: | | material: semi finished parts: STEEL (technical requirements Fulterer) | |
| drawn 01-05-2023 | | date | | description: FR 206 / 400 EN (inch) regular-extension drawerside / bottom mount | |
| proven 08-05-2023 | | name | | drawing number: 206.400-GA.L529 | |
| | | pr | | replaces version date: | |
| Fulterer | | Fulterer AG & Co KG A-6890 Lustenau / Austria | | | |
| | | Fulterer AG CH-9430 St. Margrethen | | | |
| ind. | changes | date | na. | | |