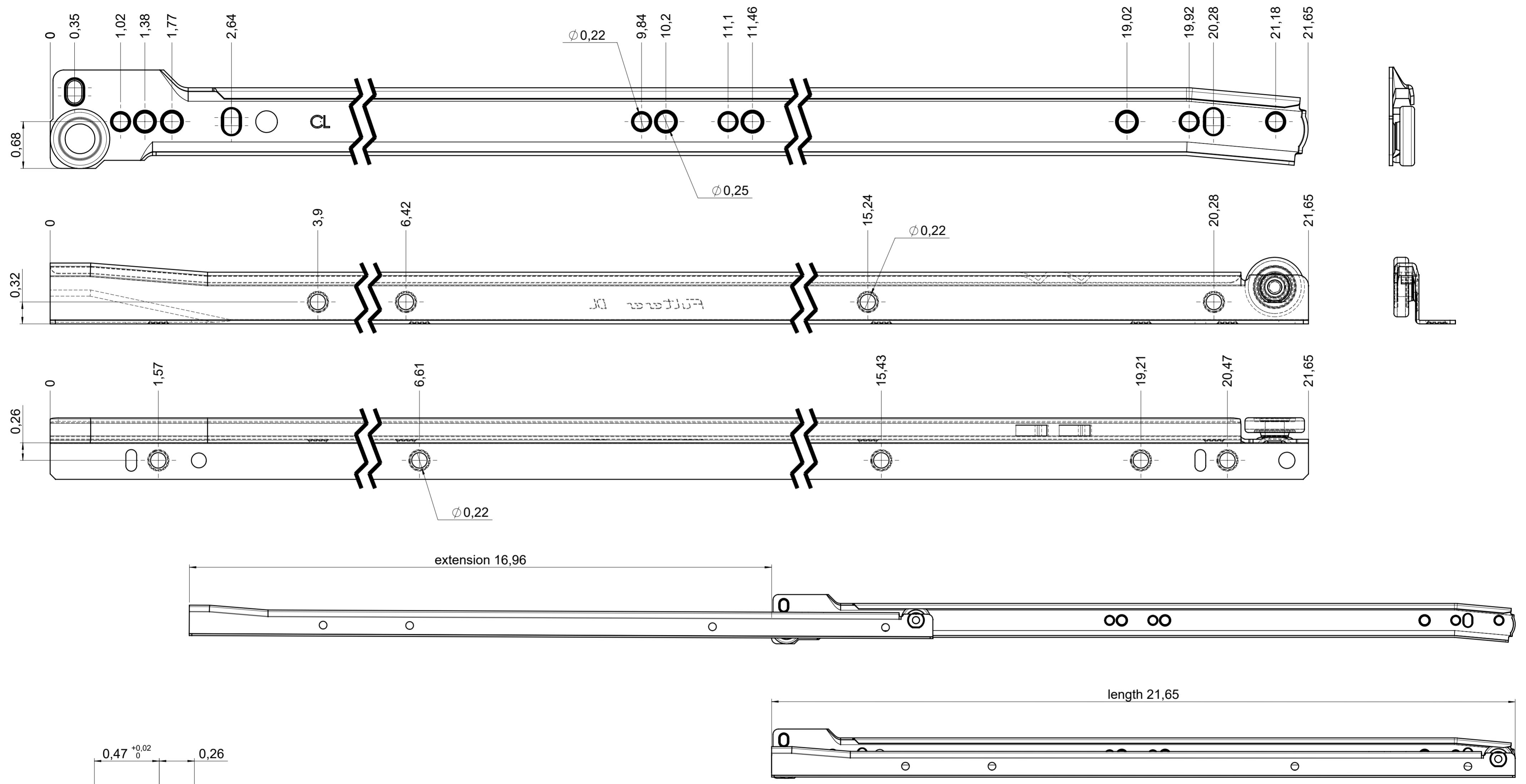


drawn left

dimension without coating / maximum coating allowed 0.004in



**final approval**

customer name:

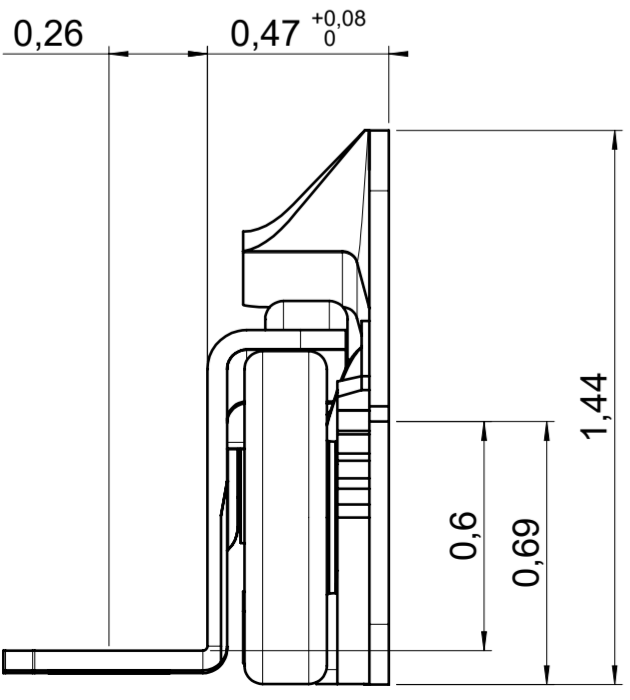
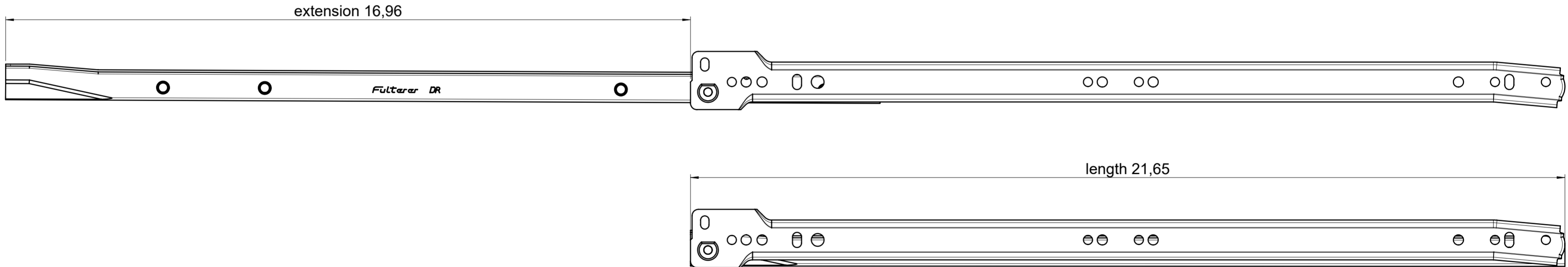
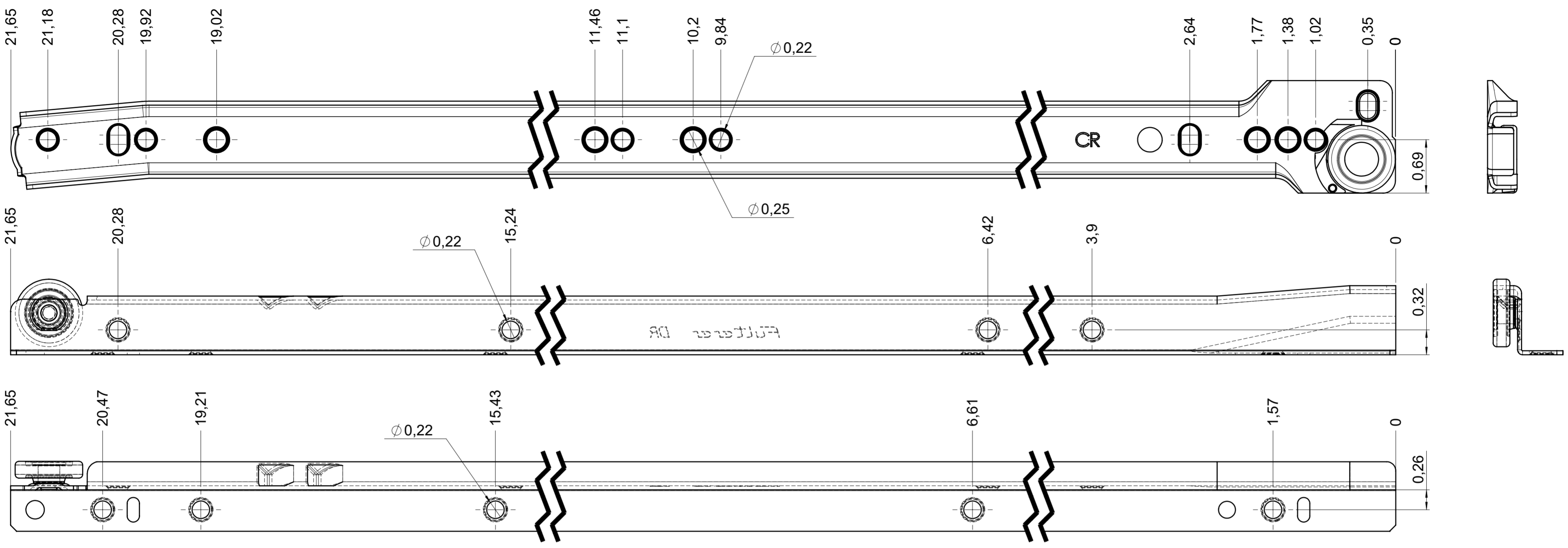
signed by:

date:

<b>all dimensions in inch</b>				DIN ISO 128-30 missing dimensions see 3D = theor. intersection	
This drawing remains our property and may not be multiplied neither be disclosed to third parties (§§1,3 and 5 from the copyright Act (UrhG)) covered according to DIN ISO 16016					
(k) (l) (i) (h) (g) (f) (e) (d) (c) (b) (a)	scale:	1:1	surface:	material, semi finished parts: STEEL (technical requirements Fulterer)	
	drawn	12-12-2022	name	pr	description: FR 2021 / 55 EN (inch) regular-extension drawerside / bottom mount
	proven	02-01-2023	pr		
	<b>Fulterer</b>			drawing number: <b>2021.550-GA.0000.li</b>	
Fulterer AG & Co KG A-6890 Lustenau / Austria Fulterer AG CH-9430 St. Margrethen			replaces version date:		
ind.	changes	date	na.		

drawn right

dimension without coating / maximum coating allowed 0.004in



**final approval**

customer name:

signed by:

date:

<b>all dimensions in inch</b>			DIN ISO 128-30 missing dimensions see 3D = theor. intersection	
This drawing remains our property and may not be multiplied neither be disclosed to third parties (§§1,3 and 5 from the copyright Act (UrhG)) covered according to DIN ISO 16016				
(k) (l) (m) (n) (o) (p) (q) (r) (s) (t) (u) (v) (w) (x) (y) (z)	scale:	1:1	surface:	material, semi finished parts: <b>STEEL</b> (technical requirements Fulterer)
	drawn	12-12-2022	name	description: FR 2021 / 55 EN (inch) regular-extension drawerslide / bottom mount
	proven	02-01-2023	pr	drawing number: <b>2021.550-GA.0000.re</b> replaces version date:
ind.	changes	date	na.	Fulterer AG & Co KG A-6890 Lustenau / Austria Fulterer AG CH-9430 St. Margrethen