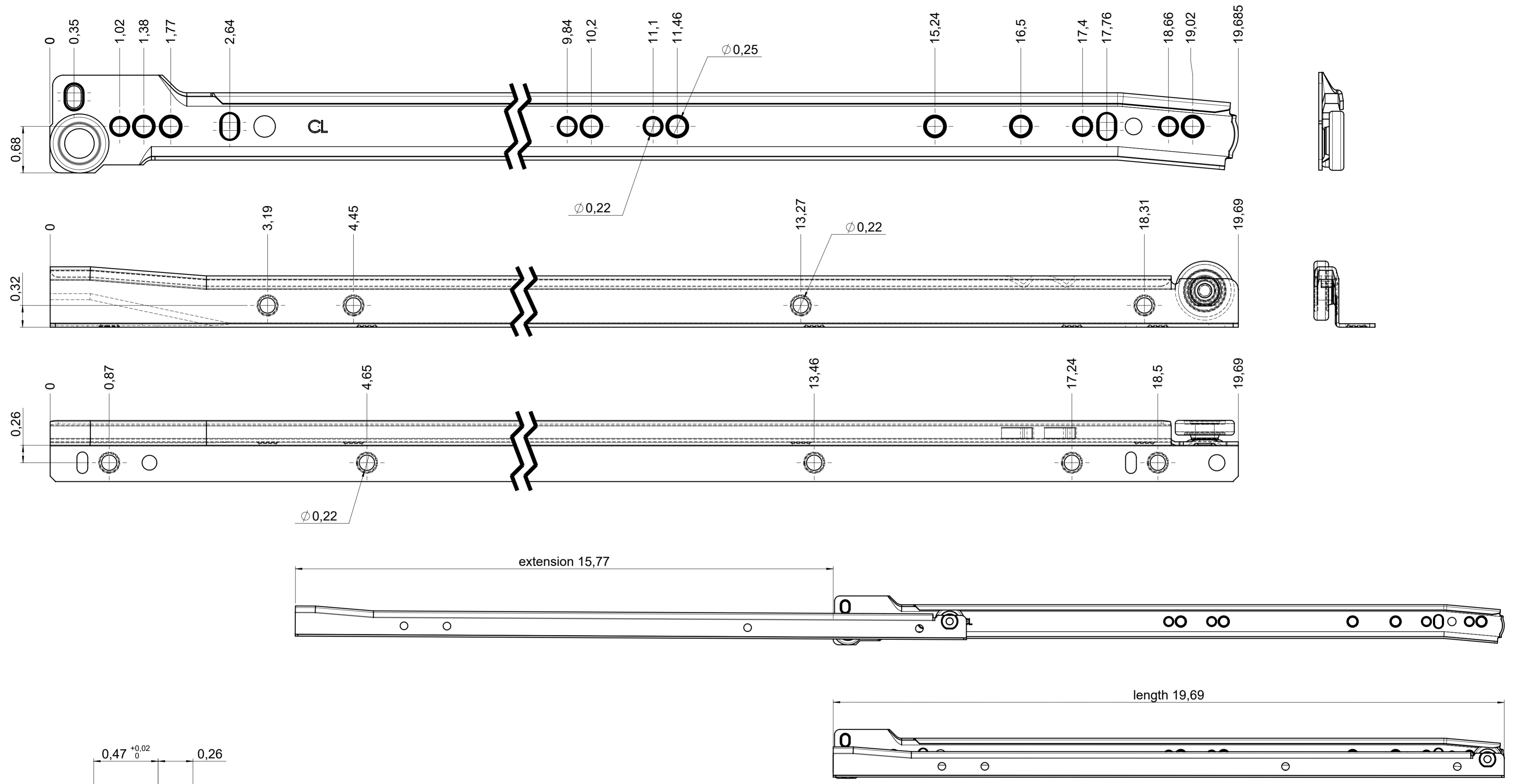


drawn left

dimension without coating / maximum coating allowed 0.004in



**final approval**

customer name:

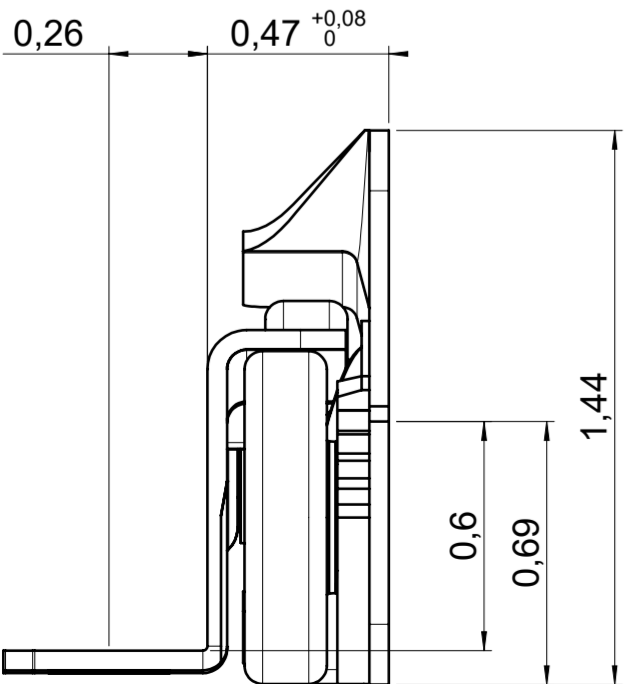
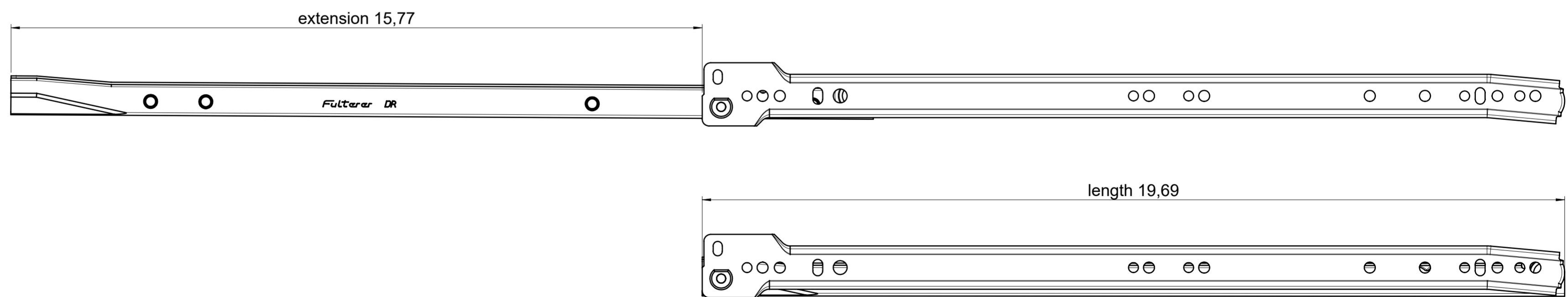
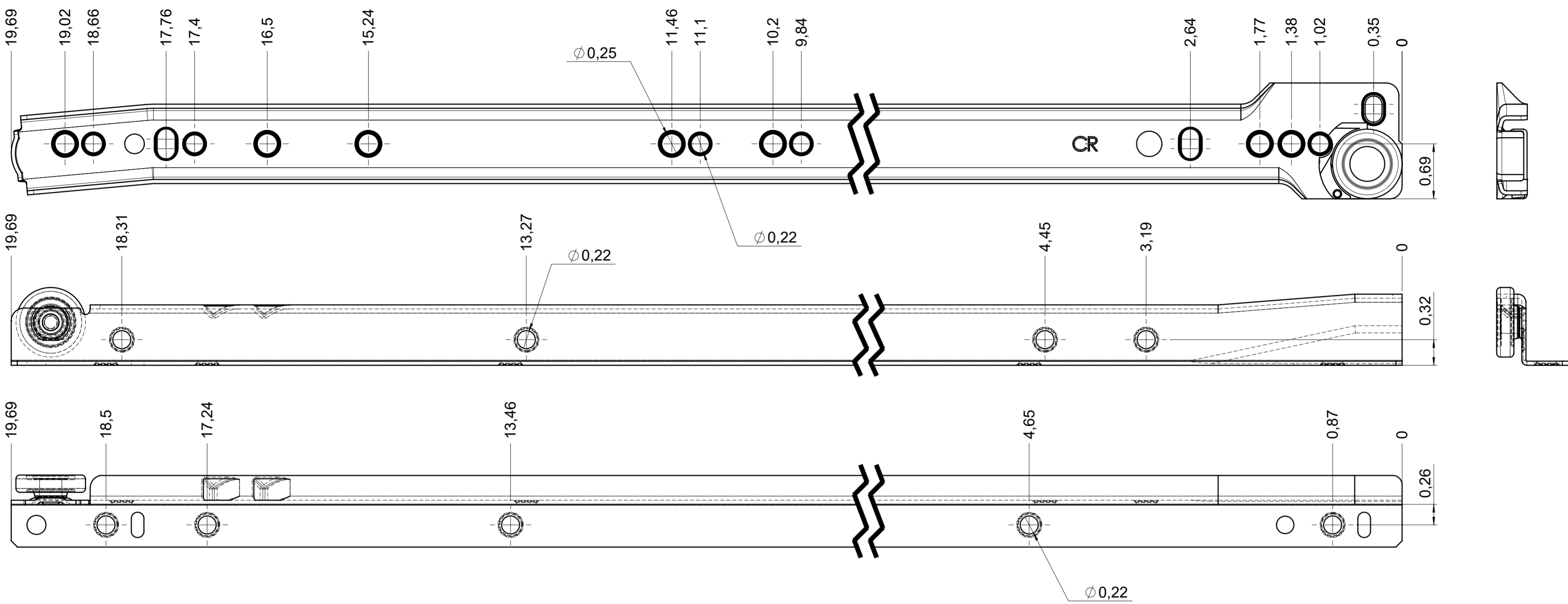
signed by:

date:

<b>all dimensions in inch</b>				Ⓢ DIN ISO 128-30 missing dimensions see 3D Ⓢ = theor. intersection	
This drawing remains our property and may not be multiplied neither be disclosed to third parties (§§1,3 and 5 from the copyright Act (UrhG)) covered according to DIN ISO 16016					
scale: 1:1		surface:		material, semi finished parts: STEEL (technical requirements Fulterer)	
drawn 12-12-2022		date		description: FR 2021 / 50 EN (inch) regular-extension drawerside / bottom mount	
proven 02-01-2023		name		drawing number: 2021.500-GA.0000.li	
		Fulterer AG & Co KG		replaces version date:	
		A-6890 Lustenau / Austria			
Fulterer AG		CH-9430 St. Margrethen			
ind.	changes	date	na.		

drawn right

dimension without coating / maximum coating allowed 0.004in



**final approval**

customer name:

signed by:

date:

<b>all dimensions in inch</b>				DIN ISO 128-30 missing dimensions see 3D = theor. intersection	
This drawing remains our property and may not be multiplied neither be disclosed to third parties (§§1,3 and 5 from the copyright Act (UrhG)) covered according to DIN ISO 16016					
scale: 1:1		surface:		material, semi finished parts: STEEL (technical requirements Fulterer) <span style="float: right;">A2</span>	
drawn 12-12-2022		date 02-01-2023		description: FR 2021 / 50 EN (inch) regular-extension drawerside / bottom mount	
proven 02-01-2023		name pr		drawing number: 2021.500-GA.0000.re	
		<b>Fulterer AG &amp; Co KG</b> A-6890 Lustenau / Austria <b>Fulterer AG</b> CH-9430 St. Margrethen		replaces version date:	
ind.	changes	date	na.		