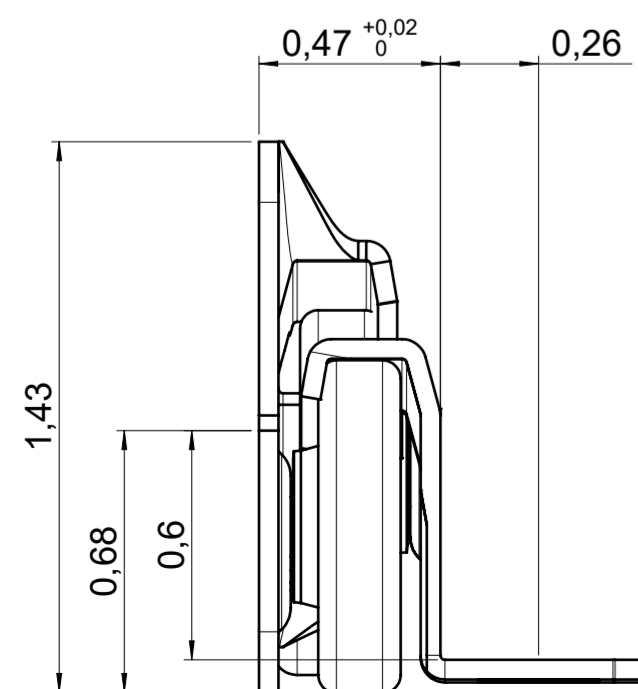
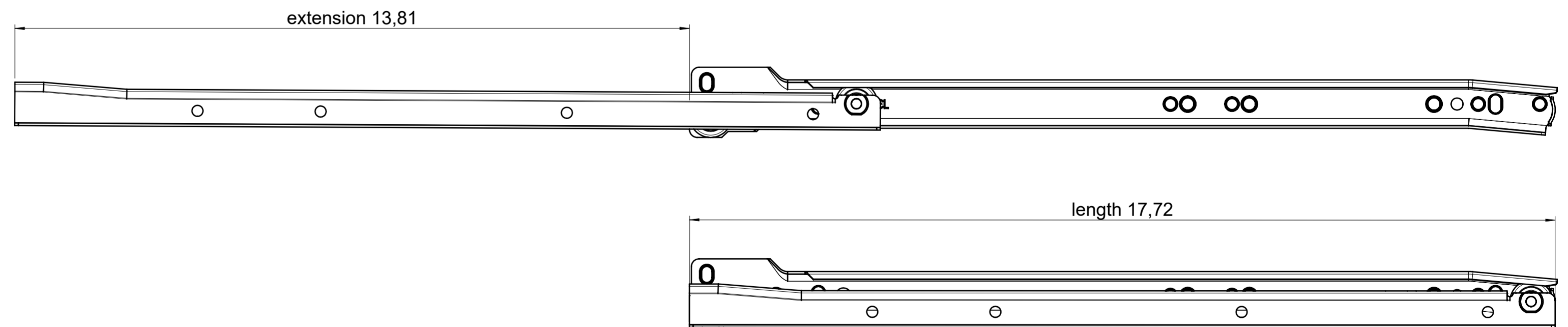
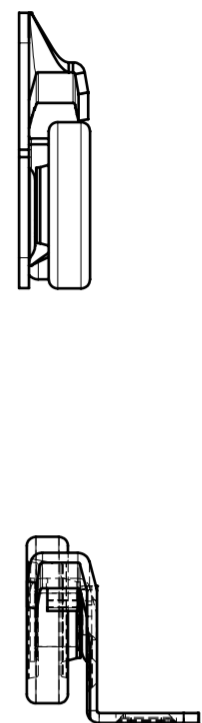
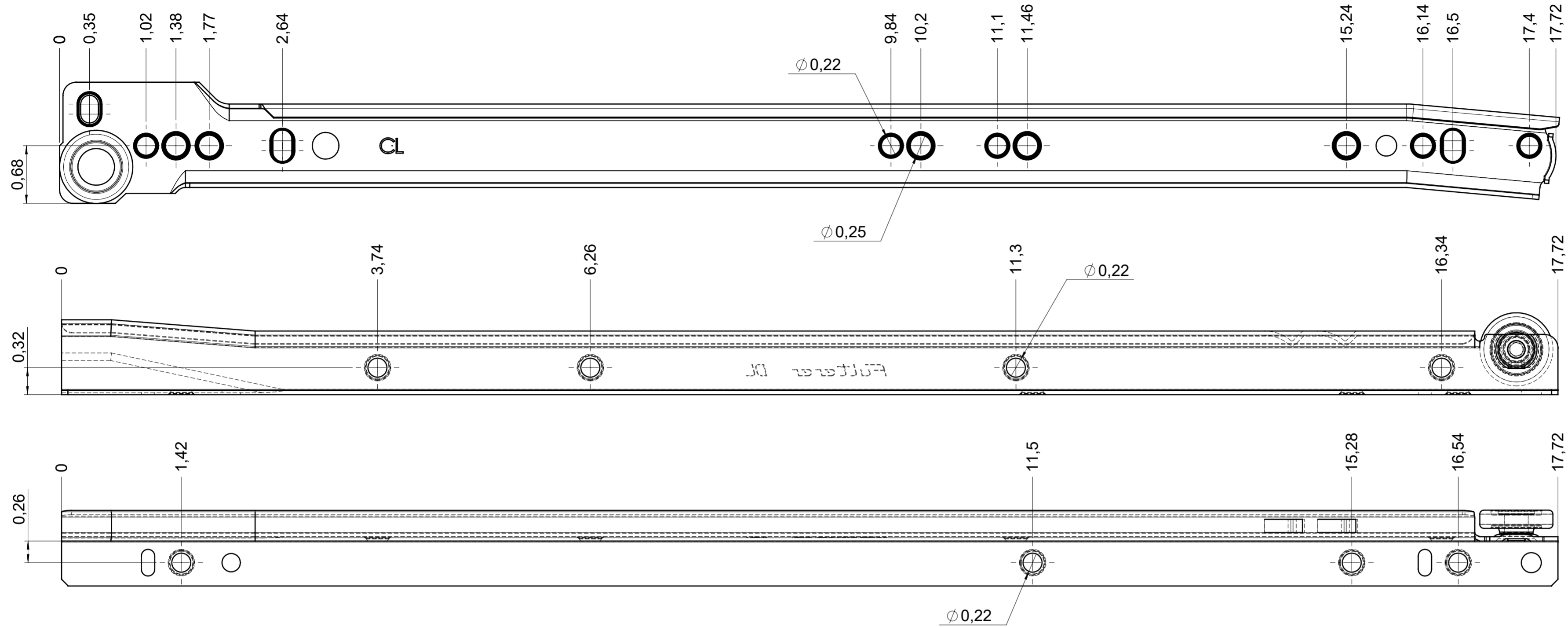


drawn left

dimension without coating / maximum coating allowed 0.004in



**final approval**

customer name:

signed by:

date:

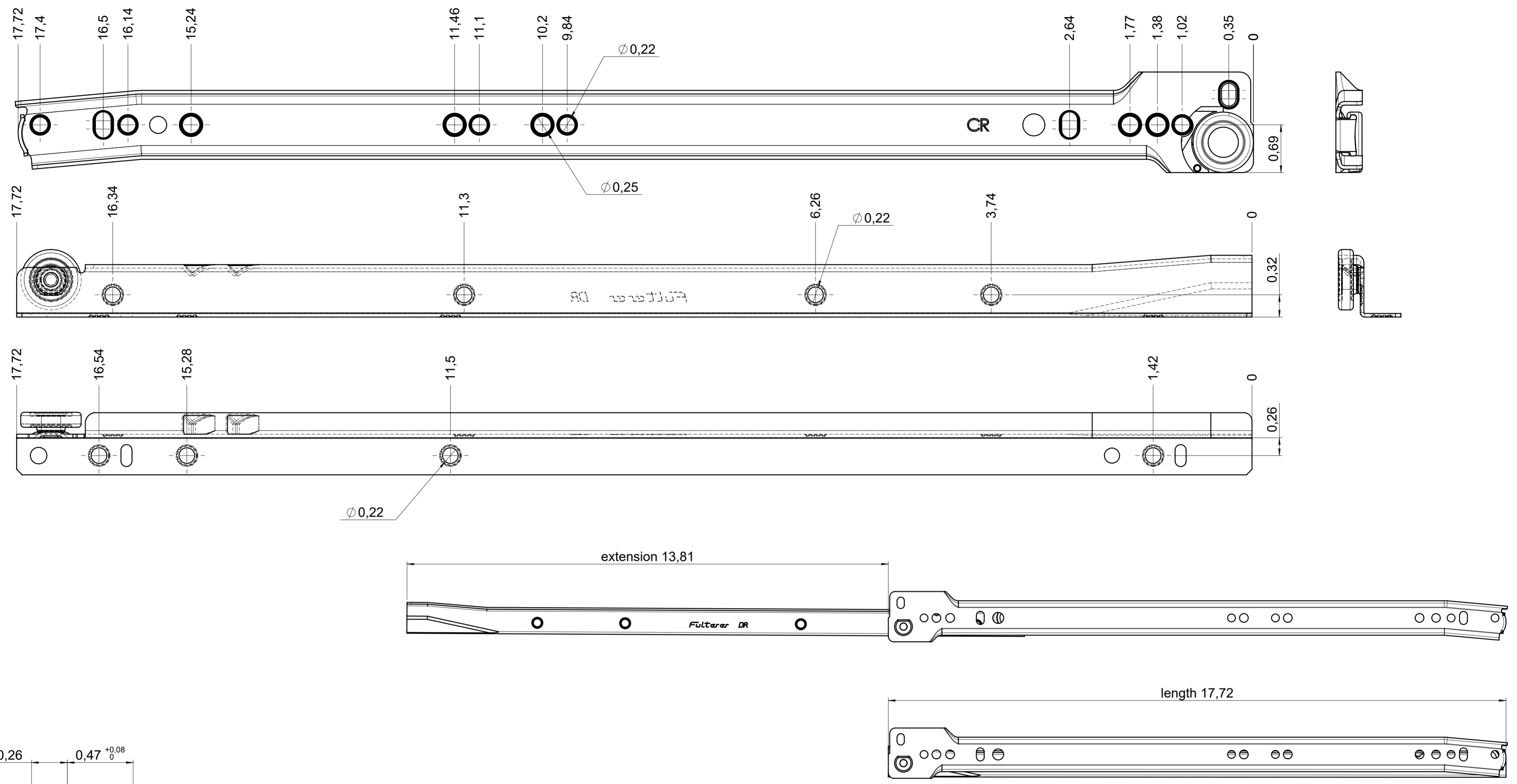
**all dimensions in inch**

DIN ISO 128-30  
missing dimensions see 3D  
 = theor. intersection

This drawing remains our property and may not be multiplied neither be disclosed to third parties (§§1,3 and 5 from the copyright Act (UrhG)) covered according to DIN ISO 16016				scale: 1:1	surface:	material, semi finished parts: STEEL (technical requirements Fulterer)	A2
(k)				date	name	description: FR 2021 / 45 EN (inch) regular-extension drawerside / bottom mount	drawing number: <b>2021.450-GA.0000.li</b> replaces version date:
(l)				drawn 12-12-2022	pr		
(m)				proven 02-01-2023	pr		
(n)				<b>Fulterer</b>			
(o)				Fulterer AG & Co KG A-6890 Lustenau / Austria			
(p)				Fulterer AG CH-9430 St. Margrethen			
(q)				changes	date	na.	

drawn right

dimension without coating / maximum coating allowed 0.004in



**final approval**

customer name:

signed by:

date:

<b>all dimensions in inch</b>			DIN ISO 128-30 missing dimensions see 3D = theor. intersection	
This drawing remains our property and may not be multiplied neither be disclosed to third parties (§§1,3 and 5 from the copyright Act (UrhG)) covered according to DIN ISO 16016				
scale: 1:1		surface:		material, semi finished parts: STEEL (technical requirements Fulterer)
drawn 12-12-2022		date 02-01-2023		description: FR 2021 / 45 EN (inch) regular-extension drawerslide / bottom mount
proven 02-01-2023		name pr		drawing number: 2021.450-GA.0000.re
ind.		changes		replaces version date:
date		na.		