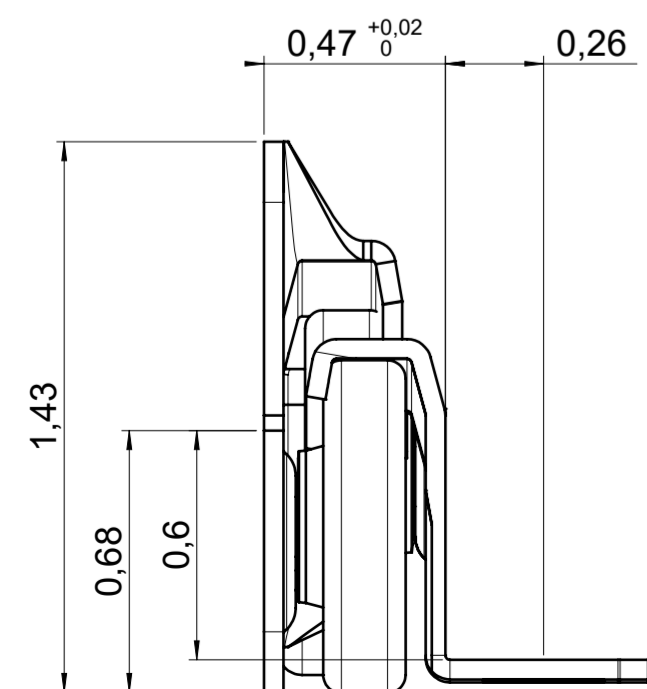
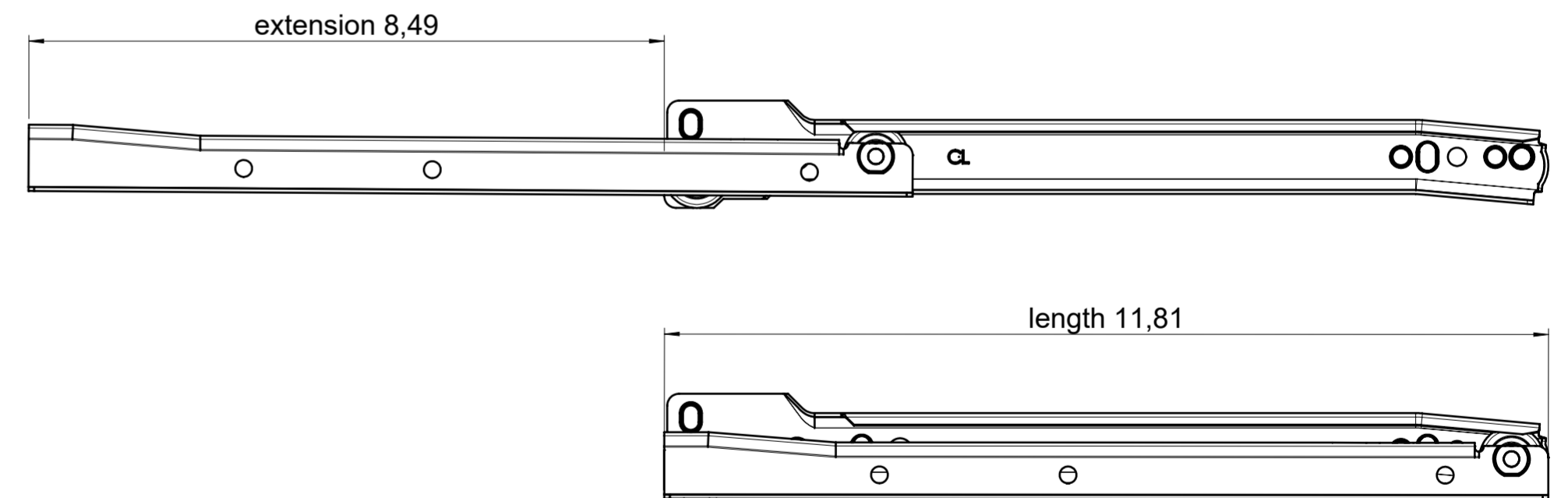
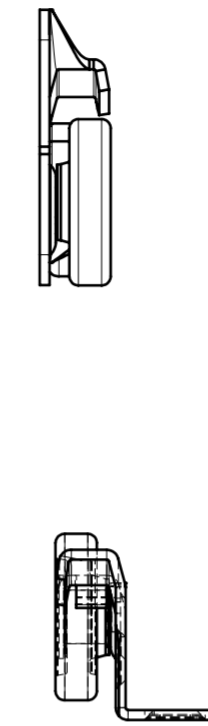
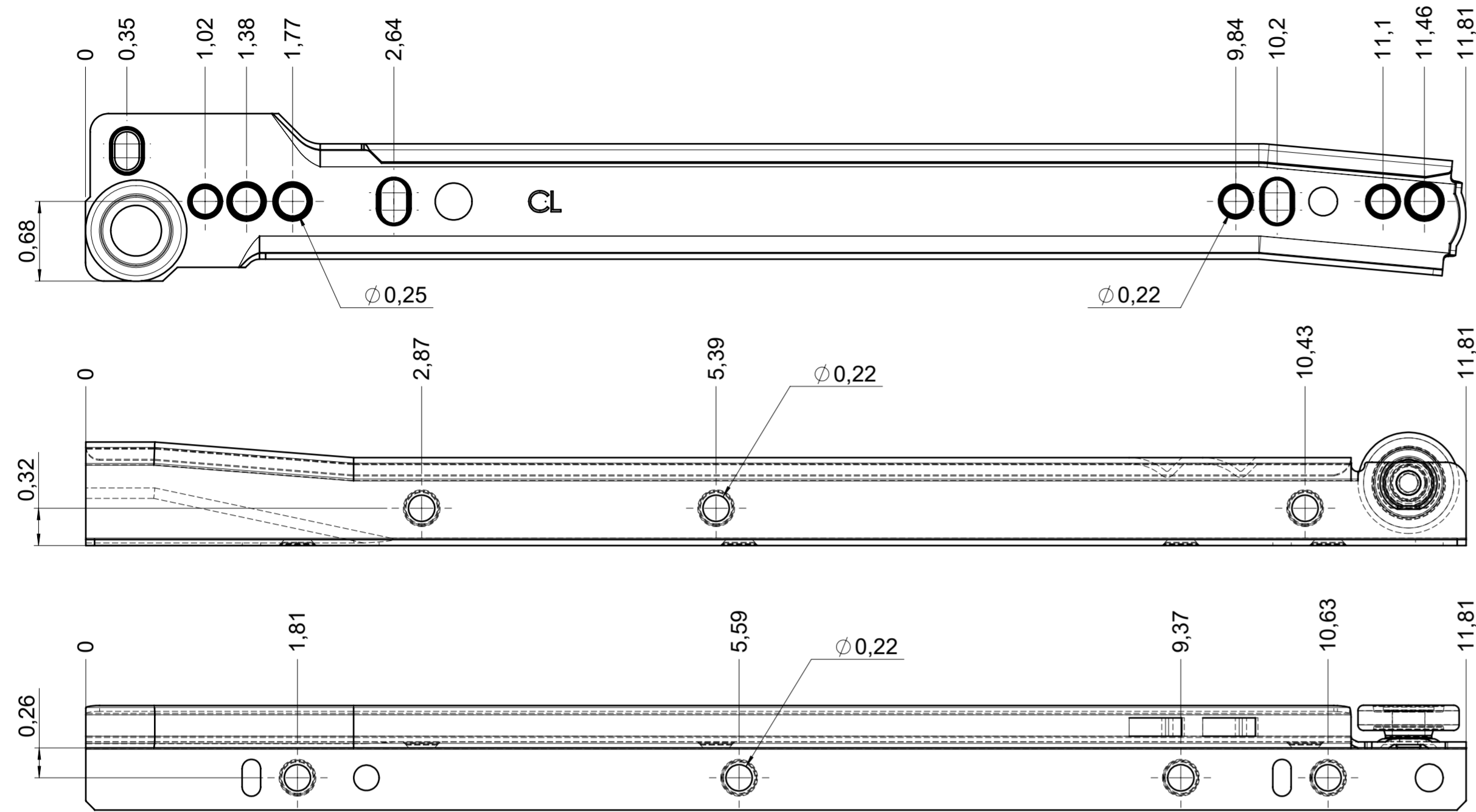


drawn left

dimensions without coating / maximum coating allowed 0.004in



final approval

customer name:

signed by:

date:

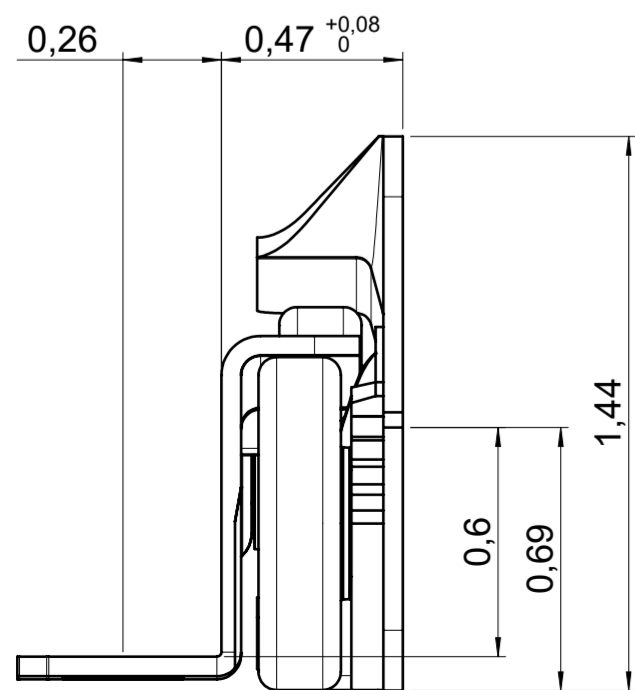
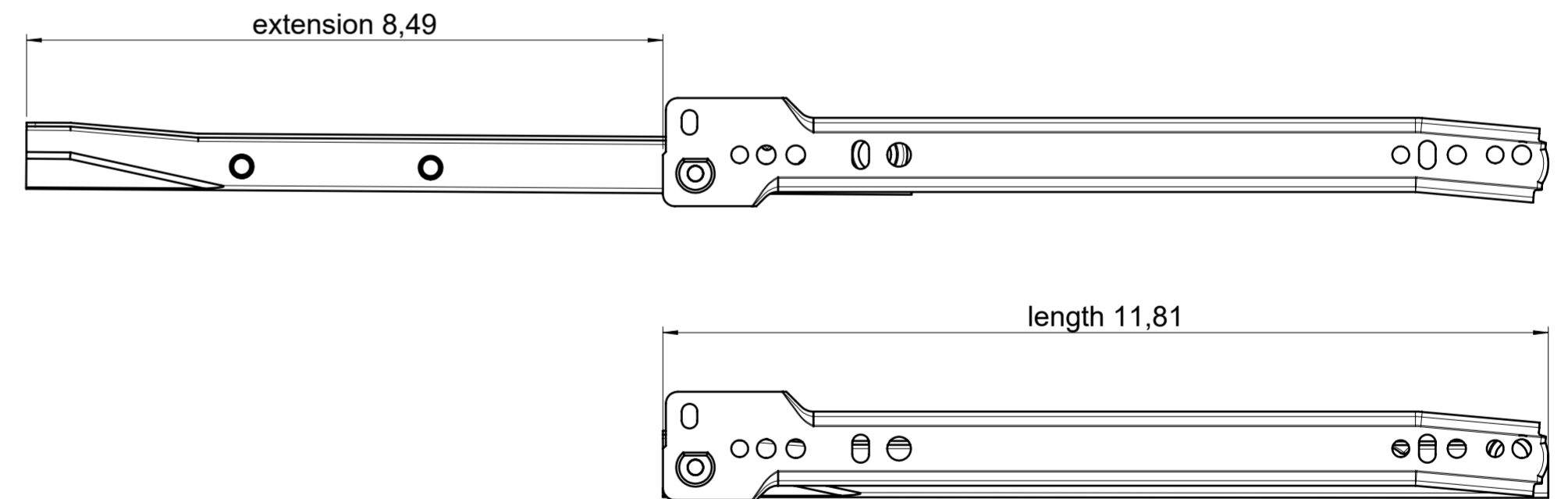
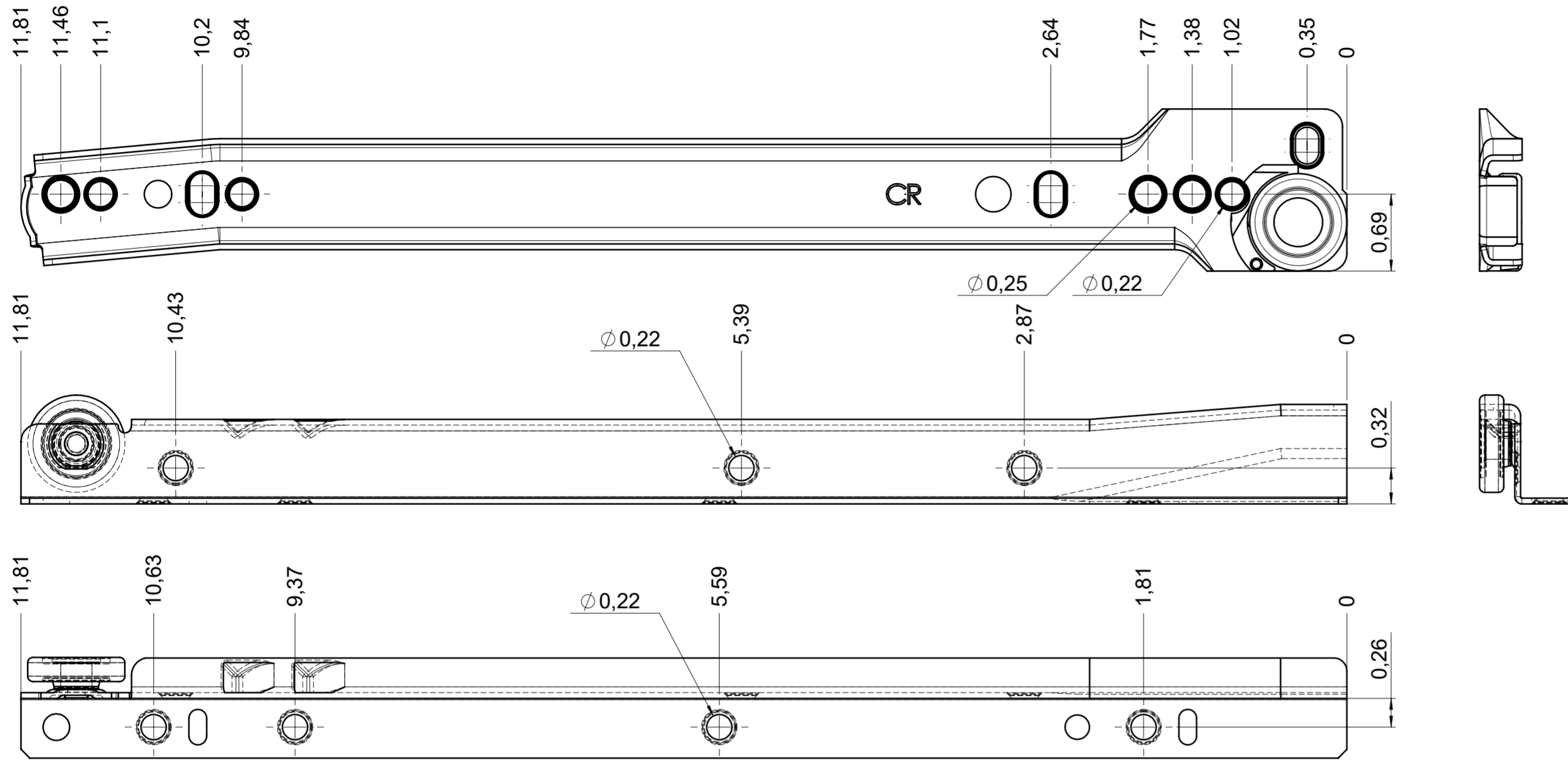
all dimensions in inch

DIN ISO 128-30
missing dimensions see 3D
 \varnothing = theor. intersection

This drawing remains our property and may not be multiplied neither be disclosed to third parties (§§1,3 and 5 from the copyright Act (UrhG)) covered according to DIN ISO 16016				scale:	surface:	material, semi finished parts:	A2
(k)				1:1		STEEL	
(l)				date	name	(technical requirements Fulterer)	
(h)				drawn 12-12-2022	pr		
(g)				proven 02-01-2023	pr		
(f)						description: FR 2021 / 30 EN (inch) regular-extension drawerside / bottom mount	
(e)							
(d)							
(c)							
(b)							
(a)				Fulterer AG & Co KG A-6890 Lustenau / Austria		drawing number: 2021.300-GA.0000.li	
				Fulterer AG CH-9430 St. Margrethen			replaces version date:
ind.	changes	date	na.				

drawn right

dimensions without coating / maximum coating allowed 0.004in



final approval

customer name:

signed by:

date:

all dimensions in inch

DIN ISO 128-30
missing dimensions see 3D
 = theor. intersection

This drawing remains our property and may not be multiplied neither be disclosed to third parties (§§1,3 and 5 from the copyright Act (UrhG)) covered according to DIN ISO 16016				scale: 1:1	surface:	material, semi finished parts: STEEL (technical requirements Fulterer)	A2
(k)				date	name	description: FR 2021 / 30 EN (inch) regular-extension drawerside / bottom mount	drawing number: 2021.300-GA.0000.re replaces version date:
(l)			drawn 12-12-2022	pr			
(m)			proven 02-01-2023	pr			
(n)			Fulterer				
(o)							
(p)							
(q)							
(r)							
(s)							
(t)							
(u)							
(v)							
(w)							
(x)							
(y)							
(z)							
ind.	changes	date	na.				